



Star
Manufacturing
International Inc.

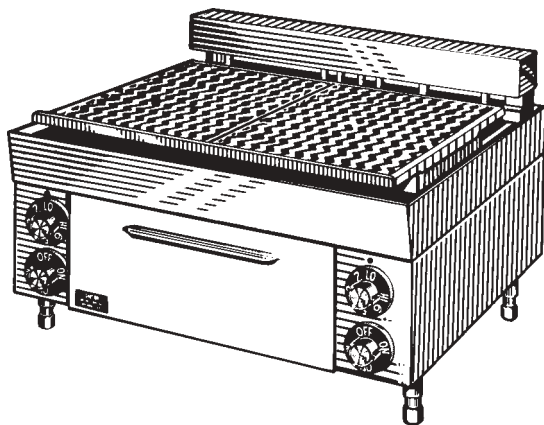
10 Sunnen Drive
St. Louis, MO 63143

Phone: (314) 781-2777
Fax: (314) 781-3636

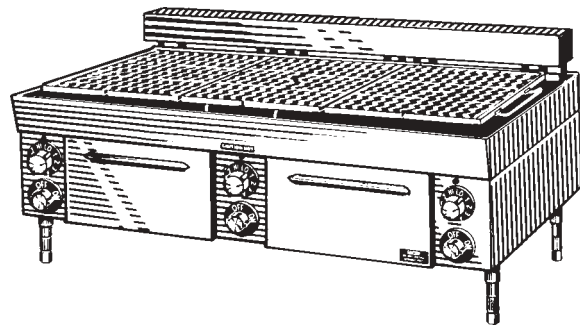
Installation
and
Operating
Instructions

2M-Y3295 Rev. A 8-11-95

DESIGNER SERIES ELECTRIC COUNTER CHAR-BROILER MODELS I55B and I57



MODEL I55B



MODEL I57



INSTALLATION INSTRUCTIONS



CAUTION

This equipment is designed and sold for commercial use only by personnel trained and experienced in its operation and is not sold for consumer use in and around the home nor for use directly by the general public in food service locations. For equipment to be used by the general public, please contact the factory.

These Electric Char-broilers are equipped for the voltage and wattage indicated on the nameplate mounted on the inside immediately in back of the water drawer front. These units are designed to operate on alternating current (A.C.) only. **DO NOT CONNECT TO DIRECT CURRENT (D.C.).**

INSTALLATION

The installation of this appliance should conform to the national electric code and local electric codes and ordinances and the local electric company rules and regulations.

For your protection, we recommend that a qualified electrician install this appliance. The electrician should be familiar with electrical installations and your local electrical requirements. The external wiring should be in conduit or an approved type of flexible cable suitable for operation at 90° C and of suitable size to carry the load. The supply circuit should be properly fused and equipped with a means of disconnecting as required by local electrical code. The body of the appliance should be grounded (**Do not ground to a gas supply pipe**).

1. Level the char-broiler by adjusting the feet, which have provision for 1 inch of adjustment. This adjustment also allows a perfect alignment to be achieved with other designer series units.
2. Grease - Tight locking strips are available to join this appliance to other Designer Series units to form a solid bank of cooking equipment. Please specify models when ordering locking strips.
3. The terminal block can be accessed by removing polished cover plate from back of broiler.

4. Fill water pan on broiler prior to use. Water should be flush with splash baffles. Make sure water is present in pan at all times. Note: Pan is easily removable for cleaning.
5. The charbroiler is constructed of high quality, modular grates that are also readily removable for cleaning, and are designed to have a dedicated heating element which is controlled by a heat control switch and an "ON/OFF" switch.
6. Seasoning - Set the heat control switch to low position and preheat for about 15 to 20 minutes. Using a cloth, spread a thin film of cooking oil or fat over the entire broiling grill surface. Allow the film to remain on broiling grill for about 5 minutes. Wipe surface clean and apply another film of cooking oil. Wipe surface clean again. The broiling grill is now ready for use.
7. Grilling temperatures range from (with no product on grill) 345° F on low setting to 570° F on high.

CLEANING

1. The exterior surfaces can be kept clean and attractive by regularly wiping with a clean soft cloth. Any discoloration can be removed with a non-abrasive cleaner.
2. Remove water pan, and modular cooking grates; wash in sink.
3. To clean heating element, first remove modular grate corresponding to element. Swing element to vertical position and lock in place with the support located in center of element housing. Clean elements with stiff wire brush or equivalent.
4. Heat baffles are located directly below heating elements and are removable for cleaning in sink.

MAINTENANCE AND REPAIRS

Contact the factory or one of its representatives or a local service company for service or maintenance if required.

MATERIAL

FINISH

MODEL NO.

PART NO.

155B

155 B

DR. *RD* CK.

DATE 3-16-79

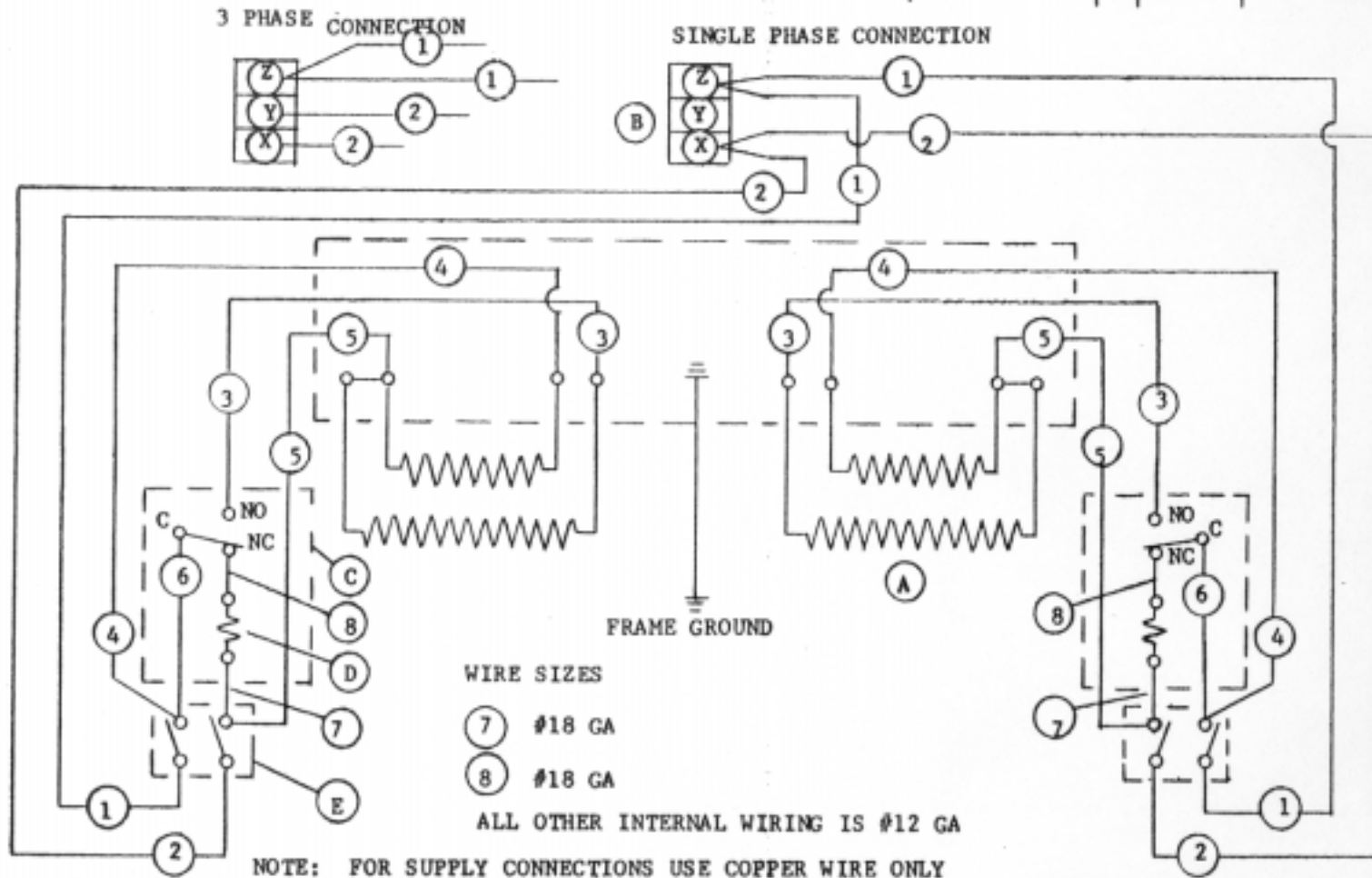
STAR MANUFACTURING CO.

TITLE
WIRING DIAGRAM

LIMITS UNLESS OTHERWISE NOTED
FRACTIONS ± 1/64 DECIMALS ± .005

9325 OLIVE BOULEVARD ST. LOUIS MO. 63132

CHANGES LTR DATE CHANGE DR



WIRE SIZES

7 #18 GA

8 #18 GA

ALL OTHER INTERNAL WIRING IS #12 GA

NOTE: FOR SUPPLY CONNECTIONS USE COPPER WIRE ONLY

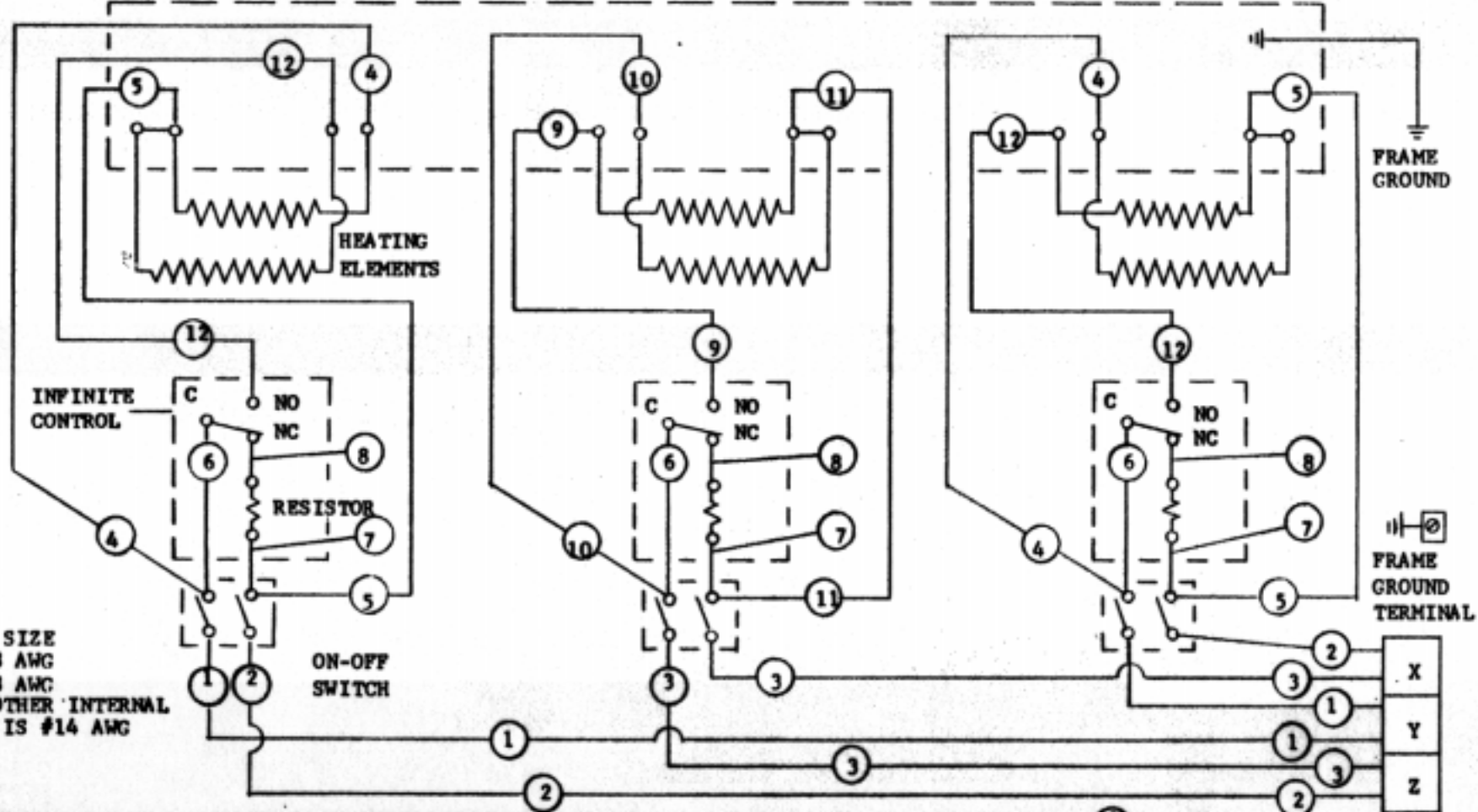
| RATED WATTAGE 6600 | 3 PHASE LOADING KW PER PHASE | | | NOMINAL AMPERES PER LINE | | | | | | | |
|--------------------------|---------------------------------|-----|-----|--------------------------|------------|-----------|--------------|------------|------------|--------------|-----------|
| | X-Y | Y-Z | X-Z | 208V 3 PHASE | | | 240V 3 PHASE | | | SINGLE PHASE | |
| | | | | X | Y | Z | X | Y | Z | 208V | 240V |
| | ---- | 3.3 | 3.3 | 15.9 | 15.9 | 27.5 | 13.75 | 13.75 | 23.8 | 31.8 | 27.5 |
| | | | | AWG #12 | AWG #12 | AWG #8 | AWG #12 | AWG #12 | AWG #10 | AWG #8 | AWG #8 |

- (A) HEATING ELEMENT
- (B) TERMINAL BLOCK
- (C) INFINITE CONTROL
- (D) RESISTOR 5,000 OHM
- (E) ON-OFF SWITCH

FOR SUPPLY CONNECTIONS
USE GA. SHOWN OR LARGER

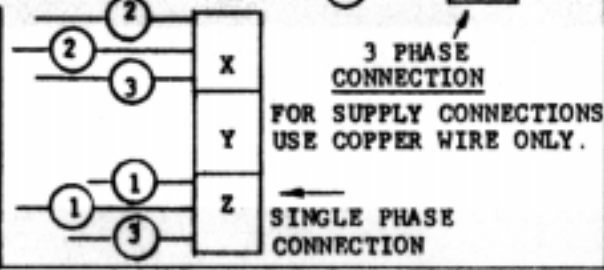
| | | | | | | |
|---|-----|---------------|------|--|-----------------|----|
| MATERIAL | | FINISH | | MODEL NO. 157 | PART NO. 157 | |
| DR. RT | CK. | DATE 12-18-79 | | STAR MANUFACTURING CO. | | |
| LIMITS UNLESS OTHERWISE NOTED FRACTIONS ± 1/64 DECIMALS ± .005 | | | | 9325 OLIVE BOULEVARD ST. LOUIS MO. 63132 | | |
| | | | | TITLE WIRING DIAGRAM | | |
| CHANGES | | LTR | DATE | CHANGE | | DR |

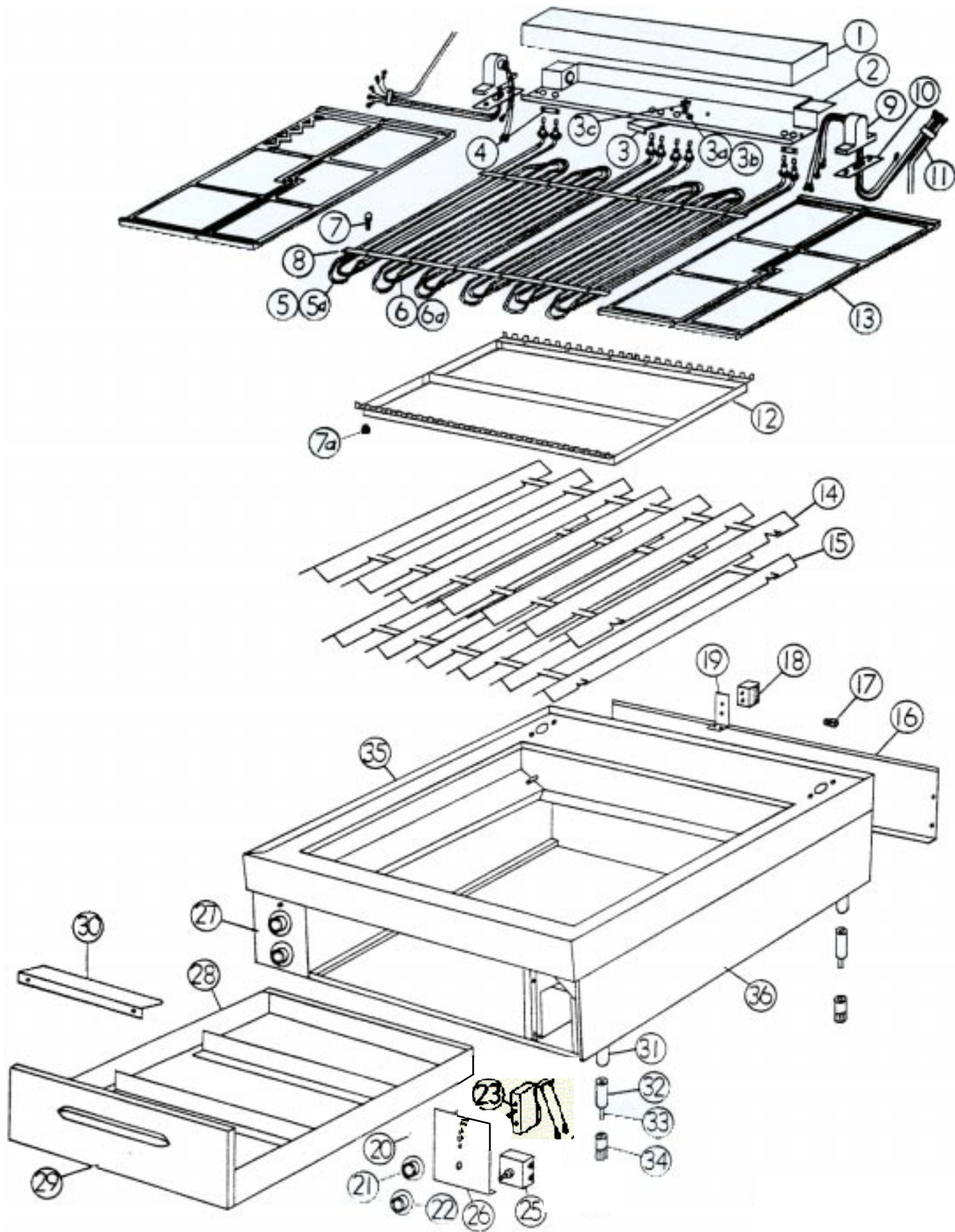
HEATING ELEMENT TERMINALS VIEWED FROM FRONT



WIRE SIZE
7 #18 AWG
8 #18 AWG
ALL OTHER INTERNAL
WIRE IS #14 AWG

| | | | | | | | | | | | |
|---|---------------------------------|-----|------|--------------------------|-----------|-----------|--------------|------------|------------|--------------|-----------|
| RATED WATTAGE 9,900 | 3 PHASE LOADING KW PER PHASE | | | NOMINAL AMPERES PER LINE | | | | | | | |
| | X-Y | Y-Z | X-Z | 208V 3 PHASE | | | 240V 3 PHASE | | | SINGLE PHASE | |
| | | | | X | Y | Z | X | Y | Z | 208V | 240V |
| 3.3 | 3.3 | 3.3 | 27.6 | 27.6 | 27.6 | 23.9 | 23.9 | 23.9 | 47.6 | 41.3 | |
| FOR SUPPLY CONNECTIONS USE GA. SHOWN OR LARGER | | | | AWG #8 | AWG #8 | AWG #8 | AWG #10 | AWG #10 | AWG #10 | AWG #4 | AWG #6 |





PARTS LIST

EFFECTIVE 6-15-01

MODEL 155B Electric Charbroiler

| Key Number | Part Number | Number Per Unit | Description |
|-----------------------------------|-------------|-----------------|--|
| <u>Serial # 1552492 and ABOVE</u> | | | |
| 1-12 | H1-155263 | 1 | ELEMENT & HOUSING ASSEMBLY COMPLETE (208V) |
| | H1-155252 | 1 | ELEMENT & HOUSING ASSEMBLY COMPLETE (240V) |
| 1 | H1-155244 | 1 | ELEMENT HOUSING COVER ASSEMBLY |
| 2 | H1-155249 | 1 | ELEMENT PIVOT BRACKET ASSEMBLY |
| 3 | H1-155247 | 1 | ELEMENT HOUSING SUPPORT ASSEMBLY |
| 3a | 2P-7969 | 1 | SPRING |
| 3b | 2A-5401 | 1 | COTTER PIN |
| 3c | 2C-1811 | 1 | WASHER |
| 4 | H1-Y3120 | 2 | STRIP - CONDUCTOR |
| 5 | 2N-Y3084 | 2 | ELEMENT - HEATING (208V) (bent) |
| 5a | 2N-Y3083 | 2 | ELEMENT - HEATING (240V) (bent) |
| 6 | 2N-Y3086 | 2 | ELEMENT - HEATING (208V) (straight) |
| 6a | 2N-Y3085 | 2 | ELEMENT - HEATING (240V) (straight) |
| 7 | 2C-9704 | 12 | SCREW - MACHINE, HEX-HEAD (#10-24x1) |
| 7a | 2C-2560 | 12 | NUT, HEX-HEAD (#10-24) |
| 8 | H1-Y3115 | 2 | STRAP - ELEMENT |
| 9 | 2F-8746 | 2 | SUPPORT - ELEMENT HOUSING |
| 10 | 2I-7370 | 2 | GASKET |
| 11 | H1-155255 | 2 | WIRE HARNESS ASSEMBLY |
| 12 | H1-155251 | 1 | ELEMENT SUPPORT ASSEMBLY |
| 13 | 2F-Y3107 | 4 | GRATE (18" x 5 1/2" x 7/8") |
| 14 | H1-155224 | 1 | TOP BAFFLE ASSEMBLY |
| 15 | H1-155225 | 1 | LOWER BAFFLE ASSEMBLY |
| 16 | H1-155248 | 1 | BACK COVER ASSEMBLY |
| 17 | 2C-Y2344 | 1 | GROUNDING TERMINAL |
| 18 | 2E-Y2849 | 1 | TERMINAL BLOCK |
| 19 | H1-Y3119 | 1 | BRACKET - TERMINAL BLOCK |
| 20 | 2R-9193 | 2 | BUTTON - INDICATOR |
| 21 | 2R-Y3108 | 2 | KNOB - CONTROL |
| 22 | 2R-9401 | 2 | KNOB - SWITCH |
| 23 | 2J-8795 | 2 | INFINITE CONTROL |
| 25 | 2E-3966 | 2 | ON/OFF SWITCH |

**IMPORTANT: WHEN ORDERING, SPECIFY VOLTAGE OR TYPE GAS DESIRED
INCLUDE MODEL AND SERIAL NUMBER**

PAGE 1 OF 2

Some items are included for illustrative purposes only and in certain instances may not be available.



Star Manufacturing International, Inc.

PARTS LIST

EFFECTIVE 6-15-01

MODEL 155B Electric Charbroiler

| Key Number | Part Number | Number Per Unit | Description |
|-----------------------------------|-------------|-----------------|--|
| <u>Serial # 1552492 and ABOVE</u> | | | |
| 26 | H1-155242 | 1 | RIGHT SWITCH PANEL ASSEMBLY |
| 27 | H1-155241 | 1 | LEFT SWITCH PANEL ASSEMBLY |
| 28-29 | H1-155259 | 1 | WATER PAN ASSEMBLY |
| 28 | H1-155207 | 1 | WATER PAN |
| 29 | H1-8772 | 1 | DRAWER FRONT |
| 30 | H1-8797 | 1 | PLATE - CAUTION |
| 31 | Z1-115006 | 4 | FOOT HOUSING ASSEMBLY (less foot) |
| 32 | 2A-9347 | 4 | EXTENSION - FOOT |
| 33 | 2C-9348 | 4 | STUD |
| 34 | 2A-7612 | 4 | FOOT |
| 35 | H1-155212 | 1 | TOP ASSEMBLY |
| 36 | J1-6305 | 2 | PANEL - SIDE |

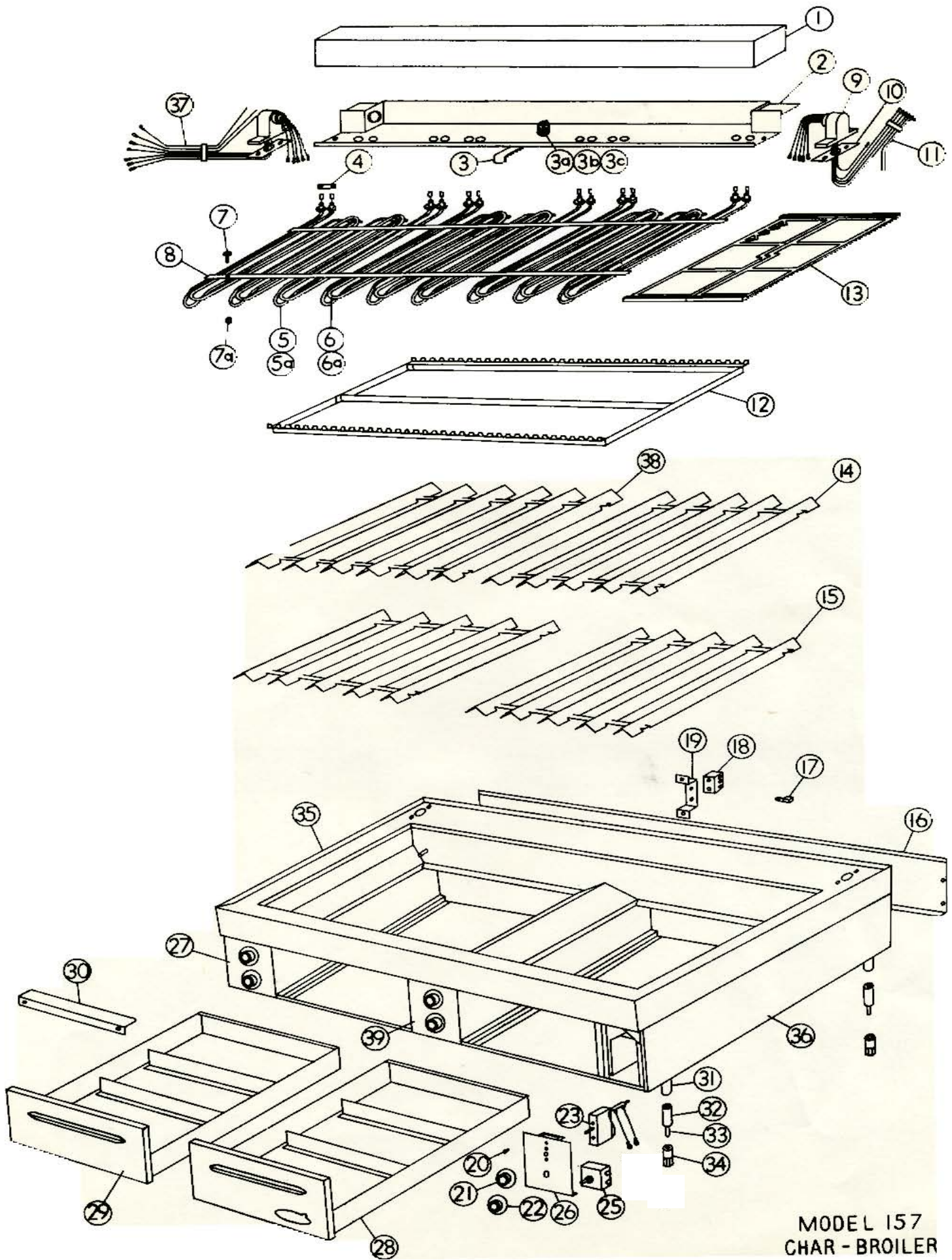
**IMPORTANT: WHEN ORDERING, SPECIFY VOLTAGE OR TYPE GAS DESIRED
INCLUDE MODEL AND SERIAL NUMBER**

PAGE 2 OF 2

Some items are included for illustrative purposes only and in certain instances may not be available.



Star Manufacturing International, Inc.



MODEL 157
CHAR - BROILER

PARTS LIST

EFFECTIVE 6-15-01

MODEL 157 Electric Charbroiler

| Key Number | Part Number | Number Per Unit | Description |
|------------|---------------------------|-----------------|---|
| 1-12 | H1-157023 | 1 | ELEMENT & HOUSING ASSEMBLY COMPLETE (208V) |
| | H1-157016 | 1 | ELEMENT & HOUSING ASSEMBLY COMPLETE (240V) |
| 1 | H1-157001 | 1 | ELEMENT HOUSING COVER ASSEMBLY |
| 2 | H1-157002 | 1 | ELEMENT PIVOT BRACKET ASSEMBLY |
| 3 | H1-155247 | 1 | ELEMENT HOUSING SUPPORT ASSEMBLY |
| 3a | 2P-7969 | 1 | SPRING |
| 3b | 2A-5401 | 1 | COTTER PIN |
| 3c | 2C-1811 | 1 | WASHER |
| 4 | H1-Y3120 | 3 | STRIP - CONDUCTOR |
| 5 | 2N-Y3084 | 3 | ELEMENT - HEATING (208V) (bent) |
| 5a | 2N-Y3083 | 3 | ELEMENT - HEATING (240V) (bent) |
| 6 | 2N-Y3086 | 3 | ELEMENT - HEATING (208V) (straight) |
| 6a | 2N-Y3085 | 3 | ELEMENT - HEATING (240V) (straight) |
| 7 | 2C-9704 | 18 | SCREW - MACHINE, HEX-HEAD (#10-24x1) |
| 7a | 2C-2560 | 18 | NUT, HEX-HEAD (#10-24) |
| 8 | H1-Y3266 | 2 | STRAP - ELEMENT |
| 9 | 2F-8746 | 2 | SUPPORT - ELEMENT HOUSING |
| 10 | 2I-7370 | 2 | GASKET |
| 11 | H1-157014 | 2 | WIRE HARNESS ASSEMBLY (left & right) |
| 12 | H1-157007 | 1 | ELEMENT SUPPORT ASSEMBLY |
| 13 | 2F-Y3107 | 6 | GRATE (18" x 5 1/2" x 7/8") |
| 14 | H1-157004 | 1 | SHORT UPPER BAFFLE ASSEMBLY |
| 15 | H1-157006 | 2 | LOWER BAFFLE ASSEMBLY |
| 16 | H1-Y3273 | 1 | BACK COVER ASSEMBLY |
| 17 | 2C-Y2344 | 1 | GROUNDING TERMINAL |
| 18 | 2E-Y2849 | 1 | TERMINAL BLOCK |
| 19 | H1-Y3265 | 1 | BRACKET - TERMINAL BLOCK |
| 20 | 2R-9193 | 3 | BUTTON - INDICATOR |
| 21 | 2R-Y3108 | 3 | KNOB - CONTROL |
| 22 | 2R-9401 | 3 | KNOB - SWITCH |
| 23 | 2J-8795 | 3 | INFINITE CONTROL |
| 25 | 2E-3966 | 3 | ON/OFF SWITCH |

**IMPORTANT: WHEN ORDERING, SPECIFY VOLTAGE OR TYPE GAS DESIRED
INCLUDE MODEL AND SERIAL NUMBER**

PAGE 1 OF 2

Some items are included for illustrative purposes only and in certain instances may not be available.



Star Manufacturing International, Inc.

PARTS LIST

EFFECTIVE 6-15-01

MODEL 157 Electric Charbroiler

| Key Number | Part Number | Number Per Unit | Description |
|------------|---------------------------|-----------------|--|
| 26 | H1-155242 | 1 | RIGHT SWITCH PANEL ASSEMBLY |
| 27 | H1-155241 | 1 | LEFT SWITCH PANEL ASSEMBLY |
| 28-29 | H1-157020 | 2 | DRAWER ASSEMBLY COMPLETE |
| 28 | H1-157011 | 1 | DRAWER |
| 29 | H1-Y3271 | 1 | DRAWER FRONT |
| 30 | H1-8797 | 1 | PLATE - CAUTION |
| 31 | Z1-115006 | 4 | FOOT HOUSING ASSEMBLY (less foot) |
| 32 | 2A-9347 | 4 | EXTENSION - FOOT |
| 33 | 2C-9348 | 4 | STUD |
| 34 | 2A-7612 | 4 | FOOT |
| 35 | H1-157003 | 1 | TOP ASSEMBLY |
| 36 | J1-6305 | 2 | PANEL - SIDE |
| 37 | H1-157015 | 1 | WIRE HARNESS ASSEMBLY (middle) |
| 38 | H1-157005 | 1 | LONG UPPER BAFFLE ASSEMBLY |
| 39 | H1-157010 | 1 | CENTER SWITCH PANEL ASSEMBLY |

**IMPORTANT: WHEN ORDERING, SPECIFY VOLTAGE OR TYPE GAS DESIRED
INCLUDE MODEL AND SERIAL NUMBER**

PAGE 2 OF 2

Some items are included for illustrative purposes only and in certain instances may not be available.



Star Manufacturing International, Inc.