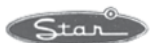


MODEL 301 & 301HL

STAR MANUFACTURING COMPANY

ST. LOUIS, MO. 63132 DIVISION OF HERCULES GALION PRODUCTS INC.



MODEL 301 & 301HL

| Key Number | Part Number | Number Per Unit | Description |
|---|---------------------|-----------------|---|
| 1 | 2T-Z7268 | 1 | Thermostat |
| 2 | 2R-9263 | 1 | Knob, Thermostat |
| 3 | 2P-5737 | 5 | Clip, Capillary Tube |
| 4 | E1-7363 | 4 | Clamp, Thermostat Bulb |
| 5 | E3-9288 | 2 | Bushing - Split |
| 6 | E3-9280 | 1 | Clamp - Element, Rear |
| 7 | 301010 = NLA | 1 | Handle and Clamp Assembly |
| 8 | 2N-Z2920 | 1 | Element, 208/240V |
| 9 | 9303 = NLA | 1 | Strap - Element, Rear |
| 10 | 301008 = NLA | 1 | Strap - Element, Front |
| 11 | 2C-2555 | 8 | Nut, Acorn (8-32) |
| 12 | 2D-301007 | 1 | Kettle Assembly |
| 13 | E3-9262 | 1 | Back, Element Housing |
| 14 | E3-7674 | 2 | Angle - Retainer |
| 15 | E3-9270 | 3 | Plate - Element Support |
| 16 | E3-9269 | 4 | Bearing, Pivot |
| 17 | 2A-301005 | 1 | Release Rod Assembly |
| 17a | 9572 = NLA | 1 | Release Arm |
| 18 | E3-9276 | 1 | Arm - Pawl |
| 19 | 2A-5401 | 2 | Pin - Cotter |
| 20 | 2P-9274 | 1 | Spring - Release |
| 21 | Z1-301013 | 1 | Pilot Light Assembly |
| 22 | 301001 = NLA | 1 | Top Assembly |
| 23 | 2B-301042 | 1 | Basket Assembly, Right Hanger |
| 24 | 2B-301041 | 1 | Basket Assembly, Left Hanger |
| 26 | 2P-Y1621 | 1 | Clip - Ground |
| 27 | Z1-115006 | 4 | Leg Assembly (<i>Less Foot</i>) |
| 28 | 2A-7612 | 4 | Foot |
| 29 | 2E-3966 | 1 | Switch - Rotary, On/Off |
| | | | <i>(Serial # 30117443 & Below must purchase New Switch & Element, 1981 > 1990)</i> |
| 29a | 2R-Y2303 | 1 | Knob, Switch (<i>not shown</i>) |
| 31 | 2T-Z3209 | 1 | Safety Thermostat (<i>short bulb</i>) |
| <u>PARTS REQUIRED TO ADD SAFETY THERMOSTAT</u> | | | |
| 3 | 2P-5737 | 1 | Clip, Capillary Tube |
| 4 | E1-7363 | 2 | Clamp, Thermostat Bulb |
| 5 | E3-9288 | 1 | Bushing - Split |
| 14 | E3-7674 | 1 | Angle - Retainer |
| 16 | E3-9269 | 1 | Bearing, Pivot |

IMPORTANT: WHEN ORDERING, SPECIFY VOLTAGE OR TYPE GAS DESIRED
INCLUDE MODEL AND SERIAL NUMBER

PAGE 1
OF 1

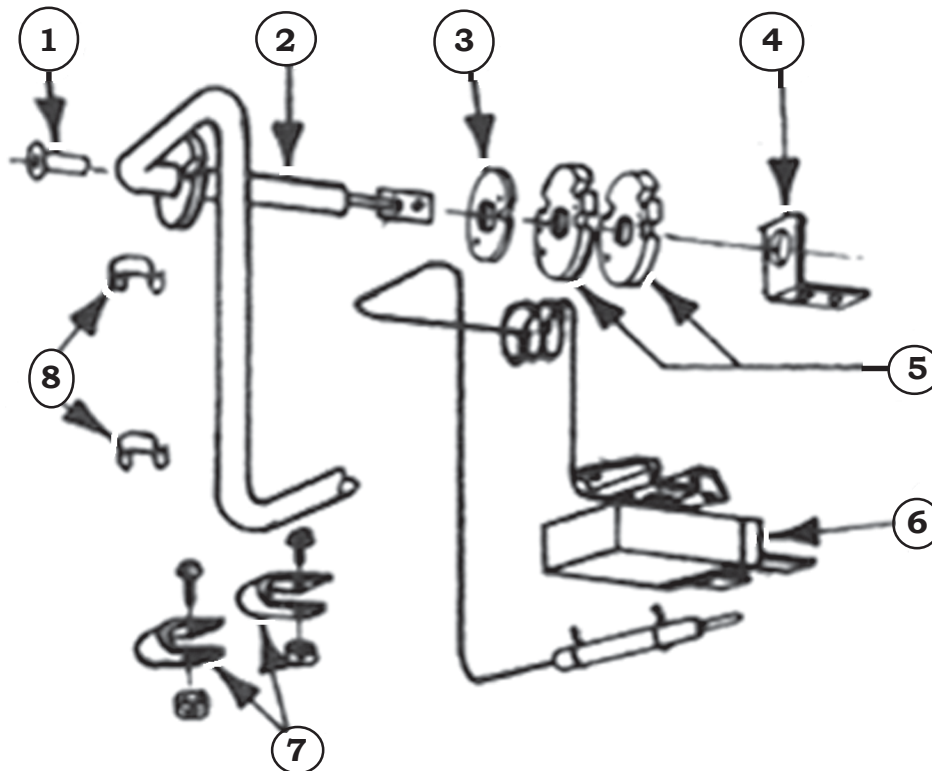
Some items are included for illustrative purposes only and in certain instances may not be available.



Star Manufacturing International, Inc.

MODEL 301 Series Head Assembly

| Key Number | Part Number | Number Per Unit | Description |
|------------|-------------|-----------------|-------------------------|
| 1 | E3-9288 | 4 | Bushing - Split |
| 2 | 2N-Z2920 | 1 | Element (208/240V) |
| 3 | E3-9269 | 2 | Bearing - Pivot |
| 4 | E3-7674 | 2 | Angle - Retainer |
| 5 | E3-9270 | 4 | Plate - Element Support |
| 6 | 2T-Z3209 | 1 | Safety Thermostat |
| 7 | E1-7363 | 4 | Clamp - Thermostat Bulb |
| 8 | 2P-5737 | 4 | Clip - Capillary Tube |



IMPORTANT: WHEN ORDERING, SPECIFY VOLTAGE OR TYPE GAS DESIRED
INCLUDE MODEL AND SERIAL NUMBER

Some items are included for illustrative purposes only and in certain instances may not be available.

PAGE 1
OF 1



Star Manufacturing International, Inc.