

STAR MANUFACTURING INTERNATIONAL, INC.

DRAWING NO. SK1878 DATE: 1-20-02 800 SERIES

DR: SO

PARTS LIST

March 15, 2006, Rev. A

MODEL 860-LP Series Gas Griddles

Key Number	Part Number	Number Per Unit	Description and Model Designation
1	G5-Z4815	1	FLUE 860M/T/TS/TSCHS
2	G5-Z4817	1	FLUE DIVIDER 860M/T/TS/TSCHS
3	G5-860004	1	GRIDDLE PLATE ASSY COMPLETE 860M
3	G5-860005	1	GRIDDLE PLATE ASSY COMPLETE 860T/TS
3	G5-860006	1	GRIDDLE PLATE ASSY COMPLETE 860TSCHS
4	G5-Z4793	5	BULB CLAMP 860T/TS/TSCHS
5	G5-Z4794	5	BULB COVER 860T/TS/TSCHS
6	G5-Z4795	15	BULB SPRING 860T/TS/TSCHS
7	G5-Z4929	5	ORIFICE BRACKET 860M/T/TS/TSCHS
8	2F-Z4613	5	BURNER 860M/T/TS/TSCHS
9	G5-Z4800	1	SIDE BAFFLE RIGHT ALL 824/36/48/60/72
10	2A-Z4614	4	FOOT ALL 824/36/48/60/72
11	G5-824014	2	WASTE DRAWER ASSY ALL 860/872
12	G5-Z4897	2	DRAWER GUIDE ALL 860/872
13	G5-Z4799	3	PILOT BAFFLE 860TS/TSCHS
14	G5-Z4798	4	BURNER BAFFLE 860M/T
14	G5-Z4798	1	BURNER BAFFLE 860TS/TSCHS
15	G5-Z4900	5	BURNER COVER 860M/T/TS/TSCHS
16	2A-9369	5	ORIFICE FITTING 860M/T/TS/TSCHS
17	2A-Z4930	5	ORIFICE NATURAL 860M/T
17	2A-Z4931	5	ORIFICE PROPANE 860M/T/TS/TSCHS
17	2A-Z5542	5	ORIFICE NATURAL 860TS/TSCHS
18	G5-Z4801	1	SIDE BAFFLE LEFT ALL 824/36/48/60/72
19	2M-Z4873	1	CONTROL GRAPHICS PANEL 860TS/TSCHS
20	2R-Z4997	5	KNOB 860M/T
	2R-Z8891	5	KNOB 860TS/TSCHS manuf. after 8/2005
	PS-Z9312	5	KNOB SERVICE KIT 860TS/TSCHS manuf. before 8/2005
21	G5-824012	2	CHUTE ASSEMBLY ALL 860/872
22	G5-860008	1	FRONT PANEL ASSEMBLY 860M/T
23	G5-860013	1	FRONT PANEL ASSEMBLY 860TS/TSCHS
24	2M-Z4871	1	CONTROL GRAPHICS PANEL 860M
24	2M-Z4872	1	CONTROL GRAPHICS PANEL 860T
25	G5-860007	1	BODY ASSEMBLY 860M/T/TS/TSCHS
26	VARIOUS	1	NAMEPLATE ALL
N/A	2J-Z4686	1	REGULATOR (5" AND 10") ALL M/T
N/A	2J-Z5541	1	REGULATOR (4" AND 10") ALL TS/TSCHS

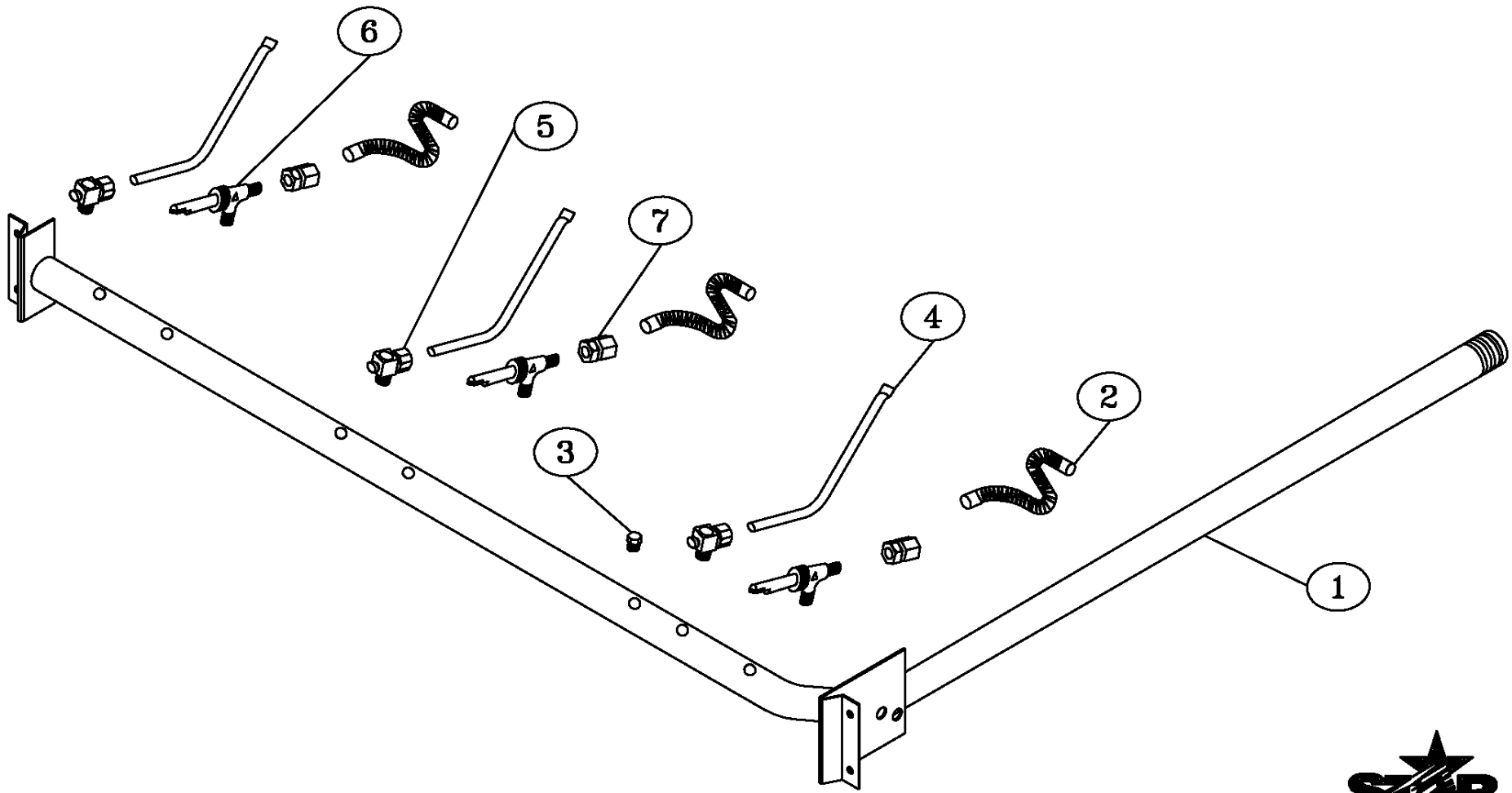
**IMPORTANT: WHEN ORDERING, SPECIFY VOLTAGE OR TYPE GAS DESIRED
INCLUDE MODEL AND SERIAL NUMBER**

PAGE 1
OF 1

Some items are included for illustrative purposes only and in certain instances may not be available.



Star Manufacturing International, Inc.



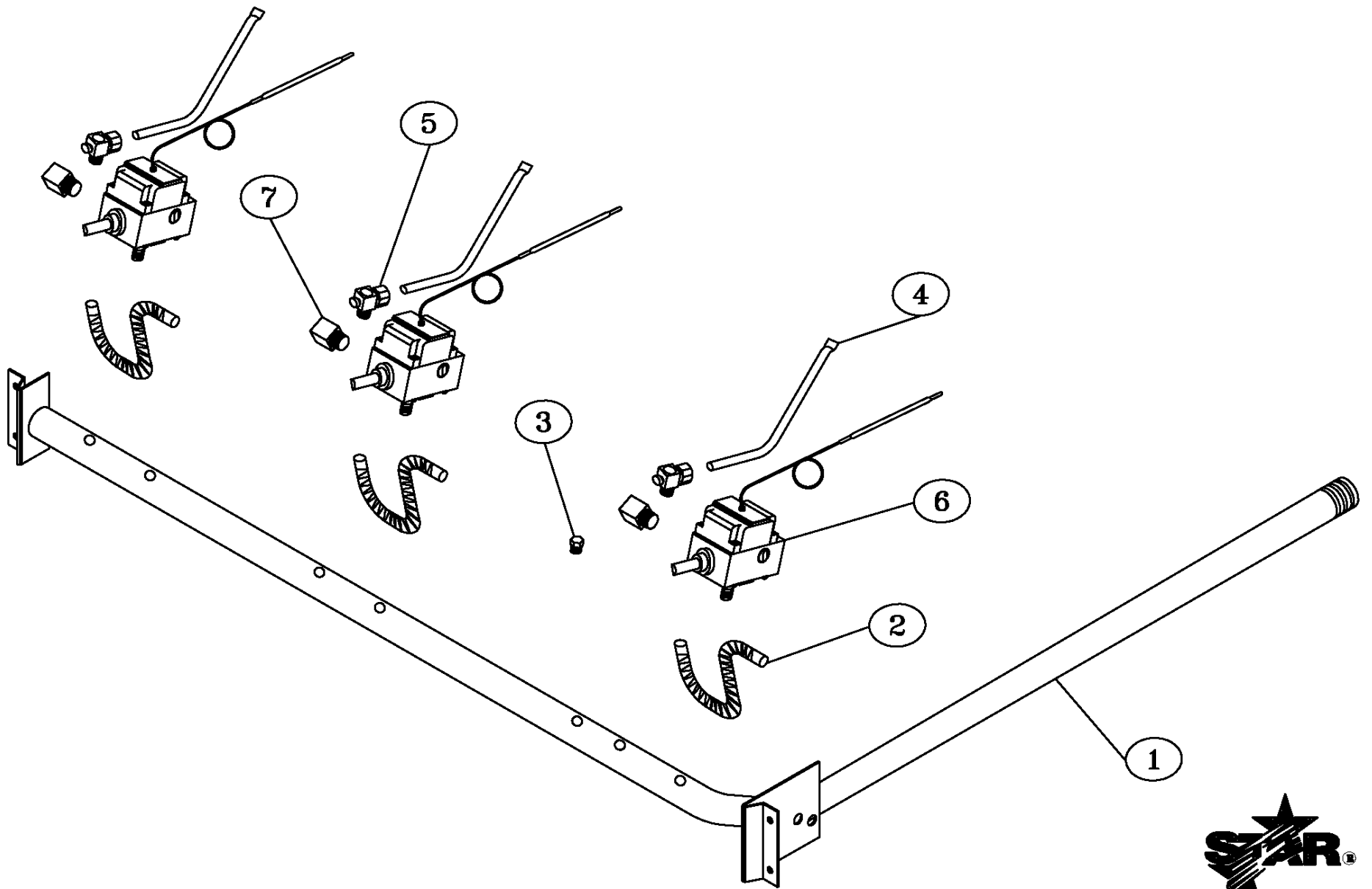
STAR MANUFACTURING INTERNATIONAL, INC.

DRAWING NO. SK1880

DATE: 1-20-02

MODEL: 800M SERIES

DR: SO



STAR MANUFACTURING INTERNATIONAL, INC.

DRAWING NO. SK1879

DATE: 1-20-02

MODEL: 800T SERIES

DR: SO

PARTS LIST

March 15, 2006, Rev. A

MODEL 800M and 800T Series Gas Griddles

Key Number	Part Number	Number Per Unit	Description and Model Designation	
1	2K-Z4901	1	MANIFOLD 824M/T	
	2K-Z4902	1	MANIFOLD 836M/T	
	2K-Z4903	1	MANIFOLD 848M/T	
	2K-Z4904	1	MANIFOLD 860M/T	
	2K-Z4905	1	MANIFOLD 872M/T	
2	2K-Z4921	2	BURNER FLEX TUBE 824M/T	
		3	BURNER FLEX TUBE 836M/T	
		4	BURNER FLEX TUBE 848M/T	
		5	BURNER FLEX TUBE 860M/T	
		6	BURNER FLEX TUBE 872M/T	
		3	2P-1453	1
4	2V-Z4821	2	PILOT BURNER 824T	
		3	PILOT BURNER 836T	
		4	PILOT BURNER 848T	
		5	PILOT BURNER 860T	
		6	PILOT BURNER 872T	
		2	PILOT BURNER 824M	
	2V-Z4906	3	PILOT BURNER 836M	
		4	PILOT BURNER 848M	
		5	PILOT BURNER 860M	
		6	PILOT BURNER 872M	
		2	PILOT VALVE 824M/T	
		3	PILOT VALVE 836M/T	
		4	PILOT VALVE 848M/T	
		5	PILOT VALVE 860M/T	
		6	PILOT VALVE 872M/T	
5	2V-6671	2	PILOT VALVE 824M/T	
		3	PILOT VALVE 836M/T	
		4	PILOT VALVE 848M/T	
		5	PILOT VALVE 860M/T	
		6	PILOT VALVE 872M/T	
		2	THROTTLING CONTROL 824T	
		3	THROTTLING CONTROL 836T	
		4	THROTTLING CONTROL 848T	
		5	THROTTLING CONTROL 860T	
		6	THROTTLING CONTROL 872T	
		2V-Y8832	2	MANUAL VALVE 824M
			3	MANUAL VALVE 836M
4	MANUAL VALVE 848M			
5	MANUAL VALVE 860M			
6	MANUAL VALVE 872M			
7	2A-Z0790		2	FITTING 3/8 CC X 3/8-27 824M
		3	FITTING 3/8 CC X 3/8-27 836M	
		4	FITTING 3/8 CC X 3/8-27 848M	
		5	FITTING 3/8 CC X 3/8-27 860M	
		6	FITTING 3/8 CC X 3/8-27 872M	
		2K-Y7111	2	FITTING 3/8 CC X 1/4 MPT 824T
	3		FITTING 3/8 CC X 1/4 MPT 836T	
	4		FITTING 3/8 CC X 1/4 MPT 848T	
	5		FITTING 3/8 CC X 1/4 MPT 860T	
	6		FITTING 3/8 CC X 1/4 MPT 872T	

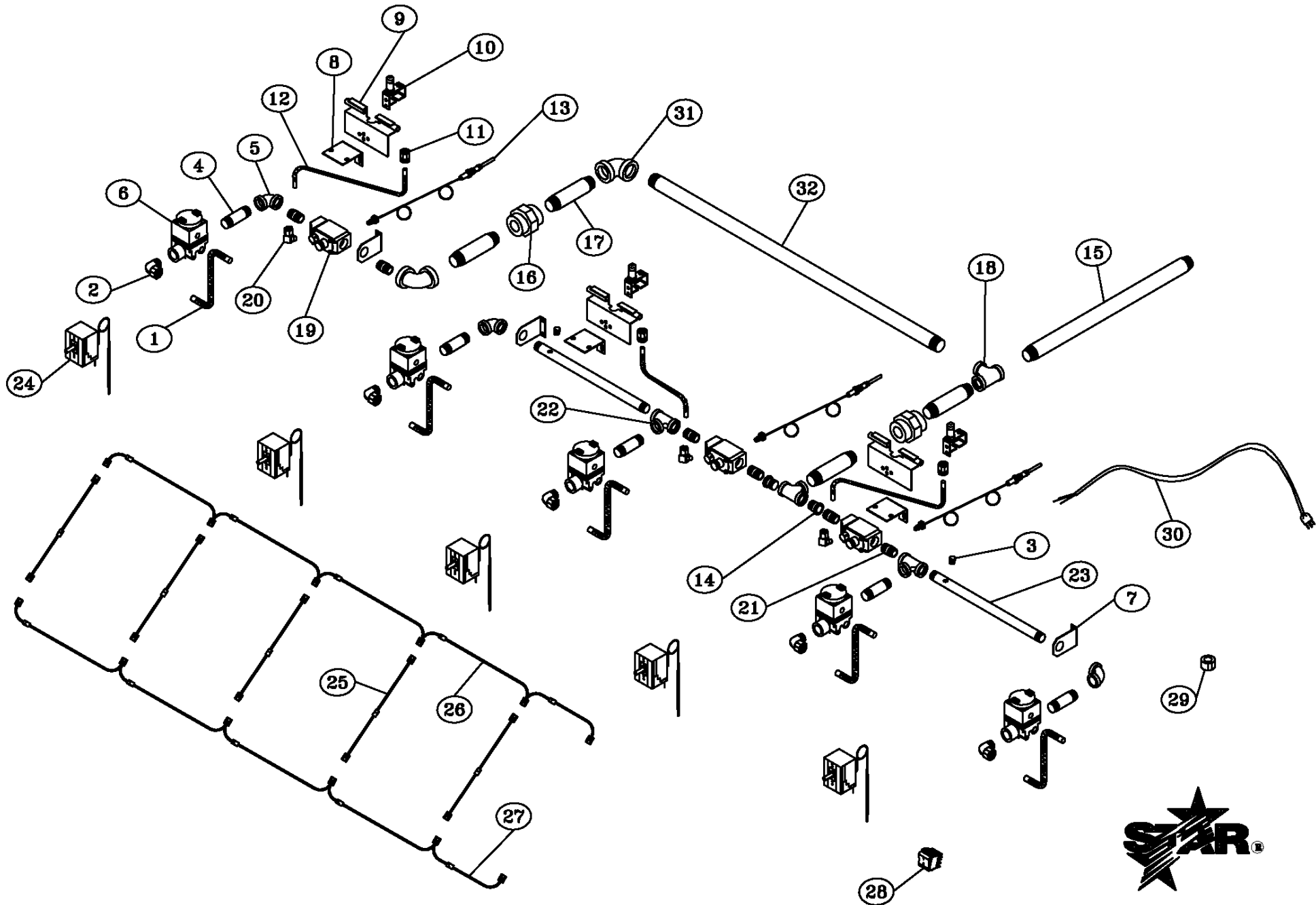
**IMPORTANT: WHEN ORDERING, SPECIFY VOLTAGE OR TYPE GAS DESIRED
INCLUDE MODEL AND SERIAL NUMBER**

PAGE 1
OF 1

Some items are included for illustrative purposes only and in certain instances may not be available.



Star Manufacturing International, Inc.



STAR MANUFACTURING INTERNATIONAL, INC.

DRAWING NO. SK1882

DATE: 01-24-02

MODEL: 60TS AND 860TSCHS

DR: SO

PARTS LIST

March 15, 2006, Rev. A

MODEL **860TS-LP and 860TSCHS-LP Series**

Key Number	Part Number	Number Per Unit	Description and Model Designation
1	2K-Z4921	5	BURNER FLEX TUBE 860TS/TSCHS
2	2K-2675	5	FITTING 3/8 CC X 3/8 MPT 860TS/TSCHS
3	2P-1453	2	PIPE PLUG 860TS/TSCHS
4	2K-Y5550	5	NIPPLE 3/8 NPT X 1 1/2 860TS/TSCHS
5	2K-2665	3	ELBOW 3/8 NPT 860TS/TSCHS
6	2J-Z4610	5	SOLENOID VALVE 860TS/TSCHS
7	G5-Z4907	3	MOUNTING BRACKET 860TS/TSCHS
8	G5-824019	3	PILOT BRACKET ASSY 860TS/TSCHS
9	G5-824018	3	FLASH TUBE BRACKET ASSY 860TS/TSCHS
10	2J-Z4608	3	PILOT BURNER 860TS/TSCHS
11	2A-Y2017	3	PILOT ORIFICE 860TS/TSCHS
12	2K-Z4920	3	PILOT TUBE FLEX 860TS/TSCHS
13	2J-Z4609	3	THERMOCOUPLE 860TS/TSCHS
14	2K-Z4617	3	REDUCER BUSHING 860TS/TSCHS
15	2K-Z5032	1	INLET PIPE 860TS/TSCHS
16	2K-Z5033	2	UNION 860TS/TSCHS
17	2K-Z4618	4	NIPPLE 3/4 NPT X 2 1/4 860TS/TSCHS
18	2K-Z5034	2	3/4 NPT TEE 860TS/TSCHS
19	2J-Z4607	3	SAFETY VALVE 860TS/TSCHS
20	2V-6671	3	PILOT VALVE 860TS/TSCHS
21	2K-Y4403	6	CLOSE NIPPLE 3/8 NPT 860TS/TSCHS
22	2K-9688	2	TEE 3/8 NPT 860TS/TSCHS
23	2K-Z4612	2	NIPPLE WITH PRESSURE TAP 860TS/TSCHS
24	2T-Z7440	5	ELEC. THERMOSTAT manufactured after 8/2005 860TS/TSCHS
	PS-Z9318	5	THERMOSTAT SERVICE KIT manufactured before 8/2005 860TS/TSCHS
25	G5-824015	5	WIRE ASSEMBLY #1 860TS/TSCHS
26	G5-860017	1	WIRE ASSEMBLY 860TS "C" 860TS/TSCHS
27	G5-860016	1	WIRE ASSEMBLY 860TS "L" 860TS/TSCHS
28	2E-Z1858	1	SWITCH 860TS/TSCHS
29	2K-Y2967	1	CORD BUSHING 860TS/TSCHS
30	N2-30409	1	CORD SET 860TS/TSCHS
31	2K-Z4611	2	ELBOW 3/4 NPT 860TS/TSCHS
32	2K-Z5035	1	NIPPLE 3/4 NPT X 22 1/2 860TS/TSCHS

**IMPORTANT: WHEN ORDERING, SPECIFY VOLTAGE OR TYPE GAS DESIRED
INCLUDE MODEL AND SERIAL NUMBER**

PAGE 1
OF 1

Some items are included for illustrative purposes only and in certain instances may not be available.



Star Manufacturing International, Inc.