

STAR MANUFACTURING INTERNATIONAL, INC.

DRAWING NO. SK1878 DATE: 1-20-02 800 SERIES

DR: SO

PARTS LIST

March 15, 2006, Rev. A

MODEL 872-LP Series Gas Griddles

Key Number	Part Number	Number Per Unit	Description and Model Designation
1	G5-Z4816	1	FLUE 872M/T/TS/TSCHS
2	G5-Z4817	2	FLUE DIVIDER 872M/T/TS/TSCHS
3	G5-824006	1	GRIDDLE PLATE ASSY COMPLETE 872TSCHS
3	G5-872004	1	GRIDDLE PLATE ASSY COMPLETE 872M
3	G5-872005	1	GRIDDLE PLATE ASSY COMPLETE 872T/TS
4	G5-Z4793	6	BULB CLAMP 872T/TS/TSCHS
5	G5-Z4794	6	BULB COVER 872T/TS/TSCHS
6	G5-Z4795	18	BULB SPRING 872T/TS/TSCHS
7	G5-Z4930	6	ORIFICE BRACKET 872M/T/TS/TSCHS
8	2F-Z4613	6	BURNER 872M/T/TS/TSCHS
9	G5-Z4800	1	SIDE BAFFLE RIGHT ALL 824/36/48/60/72
10	2A-Z4614	4	FOOT ALL 824/36/48/60/72
11	G5-824014	2	WASTE DRAWER ASSY ALL 860/872
12	G5-Z4897	2	DRAWER GUIDE ALL 860/872
13	G5-Z4799	3	PILOT BAFFLE 872TS/TSCHS
14	G5-Z4798	5	BURNER BAFFLE 872M/T
14	G5-Z4798	2	BURNER BAFFLE 872TS/TSCHS
15	G5-Z4900	6	BURNER COVER 872M/T/TS/TSCHS
16	2A-9369	6	ORIFICE FITTING 872M/T/TS/TSCHS
17	2A-Z4930	6	ORIFICE NATURAL 872M/T
17	2A-Z4931	6	ORIFICE PROPANE 872M/T/TS/TSCHS
17	2A-Z5542	6	ORIFICE NATURAL 872TS/TSCHS
18	G5-Z4801	1	SIDE BAFFLE LEFT ALL 824/36/48/60/72
19	2M-Z4876	1	CONTROL GRAPHICS PANEL 872TS/TSCHS
20	2R-Z4997	6	KNOB 872M/T
	2R-Z8891	6	KNOB 872TS/TSCHS manuf. after 8/2005
	PS-Z9312	6	KNOB SERVICE KIT 872TS/TSCHS manuf. before 8/2005
21	G5-824012	2	CHUTE ASSEMBLY ALL 860/872
22	G5-872008	1	FRONT PANEL ASSEMBLY 872M/T
23	G5-872013	1	FRONT PANEL ASSEMBLY 872TS/TSCHS
24	2M-Z4874	1	CONTROL GRAPHICS PANEL 872M
24	2M-Z4875	1	CONTROL GRAPHICS PANEL 872T
25	G5-872007	1	BODY ASSEMBLY 872M/T/TS/TSCHS
26	VARIOUS	1	NAMEPLATE ALL
N/A	2J-Z4686	1	REGULATOR (5" AND 10") ALL M/T
N/A	2J-Z5541	1	REGULATOR (4" AND 10") ALL TS/TSCHS

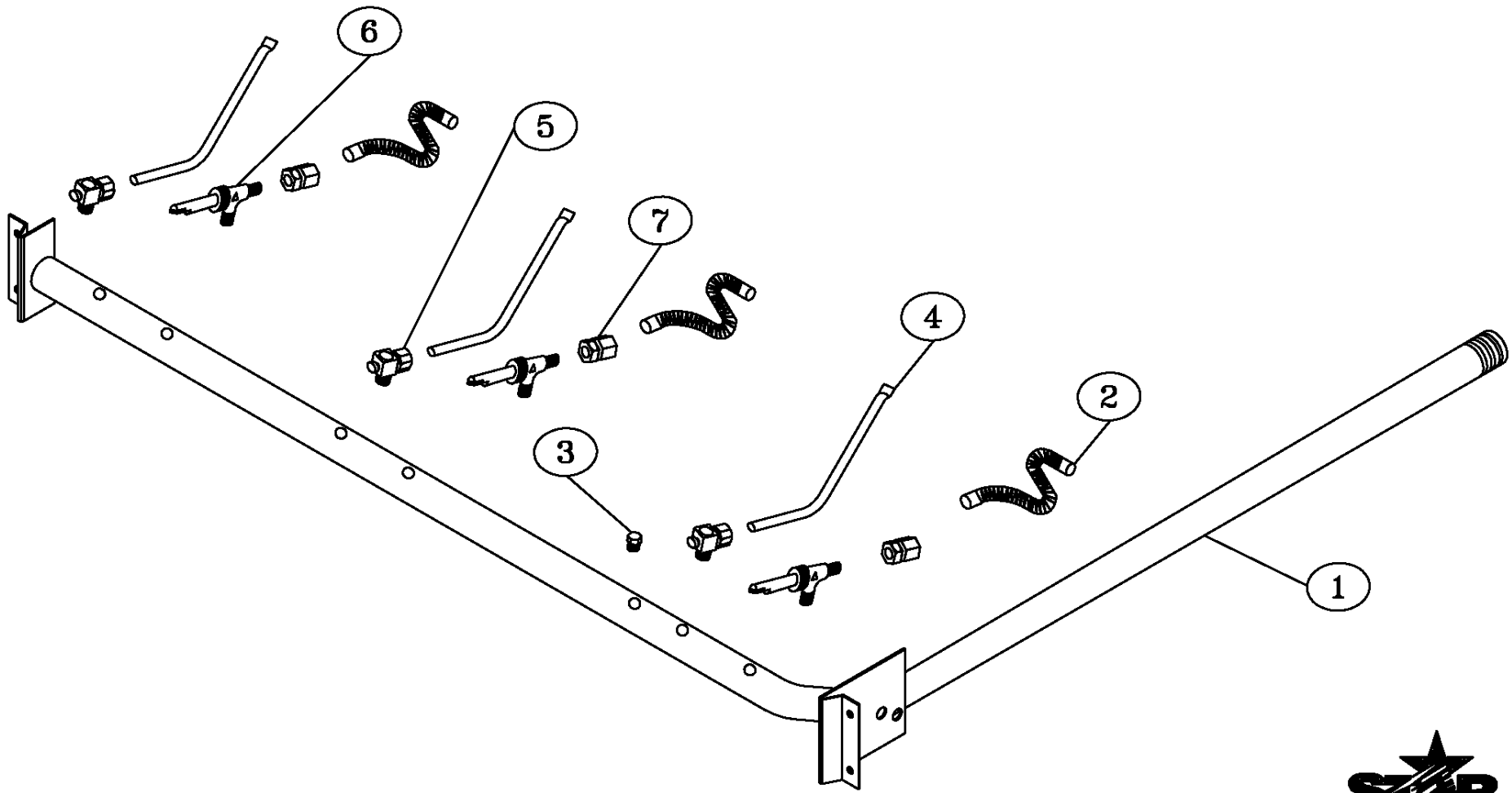
**IMPORTANT: WHEN ORDERING, SPECIFY VOLTAGE OR TYPE GAS DESIRED
INCLUDE MODEL AND SERIAL NUMBER**

PAGE 1
OF 1

Some items are included for illustrative purposes only and in certain instances may not be available.



Star Manufacturing International, Inc.



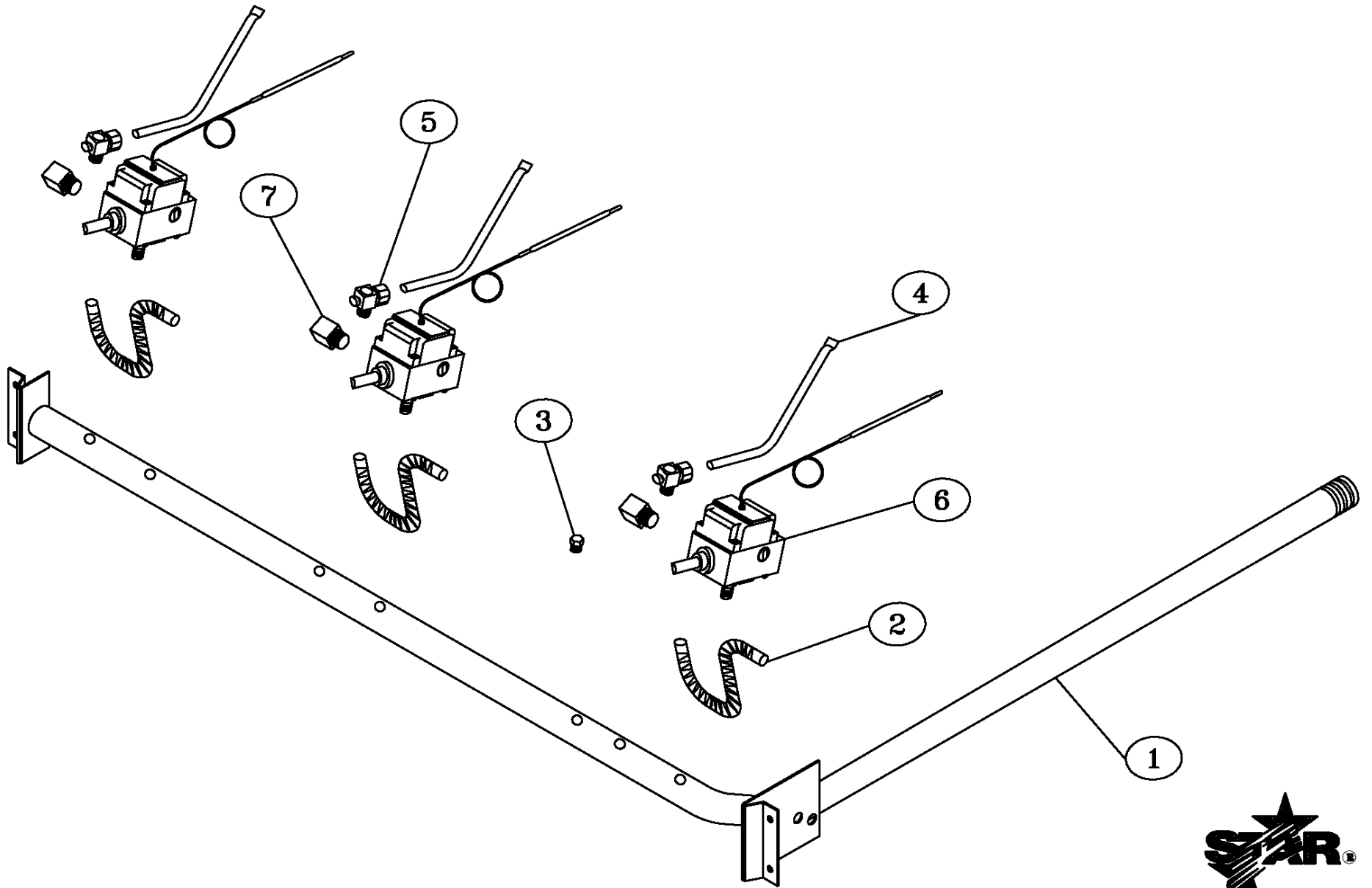
STAR MANUFACTURING INTERNATIONAL, INC.

DRAWING NO. SK1880

DATE: 1-20-02

MODEL: 800M SERIES

DR: SO



STAR MANUFACTURING INTERNATIONAL, INC.

DRAWING NO. SK1879

DATE: 1-20-02

MODEL: 800T SERIES

DR: SO

PARTS LIST

March 15, 2006, Rev. A

MODEL 800M and 800T Series Gas Griddles

Key Number	Part Number	Number Per Unit	Description and Model Designation
1	2K-Z4901	1	MANIFOLD 824M/T
	2K-Z4902	1	MANIFOLD 836M/T
	2K-Z4903	1	MANIFOLD 848M/T
	2K-Z4904	1	MANIFOLD 860M/T
	2K-Z4905	1	MANIFOLD 872M/T
2	2K-Z4921	2	BURNER FLEX TUBE 824M/T
		3	BURNER FLEX TUBE 836M/T
		4	BURNER FLEX TUBE 848M/T
		5	BURNER FLEX TUBE 860M/T
		6	BURNER FLEX TUBE 872M/T
		3	2P-1453
4	2V-Z4821	2	PILOT BURNER 824T
		3	PILOT BURNER 836T
		4	PILOT BURNER 848T
		5	PILOT BURNER 860T
		6	PILOT BURNER 872T
		2	PILOT BURNER 824M
	2V-Z4906	3	PILOT BURNER 836M
		4	PILOT BURNER 848M
		5	PILOT BURNER 860M
		6	PILOT BURNER 872M
		2	PILOT VALVE 824M/T
		3	PILOT VALVE 836M/T
		4	PILOT VALVE 848M/T
		5	PILOT VALVE 860M/T
5	2V-6671	6	PILOT VALVE 872M/T
		2	THROTTLING CONTROL 824T
		3	THROTTLING CONTROL 836T
		4	THROTTLING CONTROL 848T
		5	THROTTLING CONTROL 860T
		6	THROTTLING CONTROL 872T
6	2T-Z4823	2	MANUAL VALVE 824M
		3	MANUAL VALVE 836M
		4	MANUAL VALVE 848M
		5	MANUAL VALVE 860M
		6	MANUAL VALVE 872M
		2	MANUAL VALVE 824M
	2V-Y8832	3	MANUAL VALVE 836M
		4	MANUAL VALVE 848M
		5	MANUAL VALVE 860M
		6	MANUAL VALVE 872M
7	2A-Z0790	2	FITTING 3/8 CC X 3/8-27 824M
		3	FITTING 3/8 CC X 3/8-27 836M
		4	FITTING 3/8 CC X 3/8-27 848M
		5	FITTING 3/8 CC X 3/8-27 860M
		6	FITTING 3/8 CC X 3/8-27 872M
		2	FITTING 3/8 CC X 1/4 MPT 824T
		3	FITTING 3/8 CC X 1/4 MPT 836T
	2K-Y7111	4	FITTING 3/8 CC X 1/4 MPT 848T
		5	FITTING 3/8 CC X 1/4 MPT 860T
		6	FITTING 3/8 CC X 1/4 MPT 872T

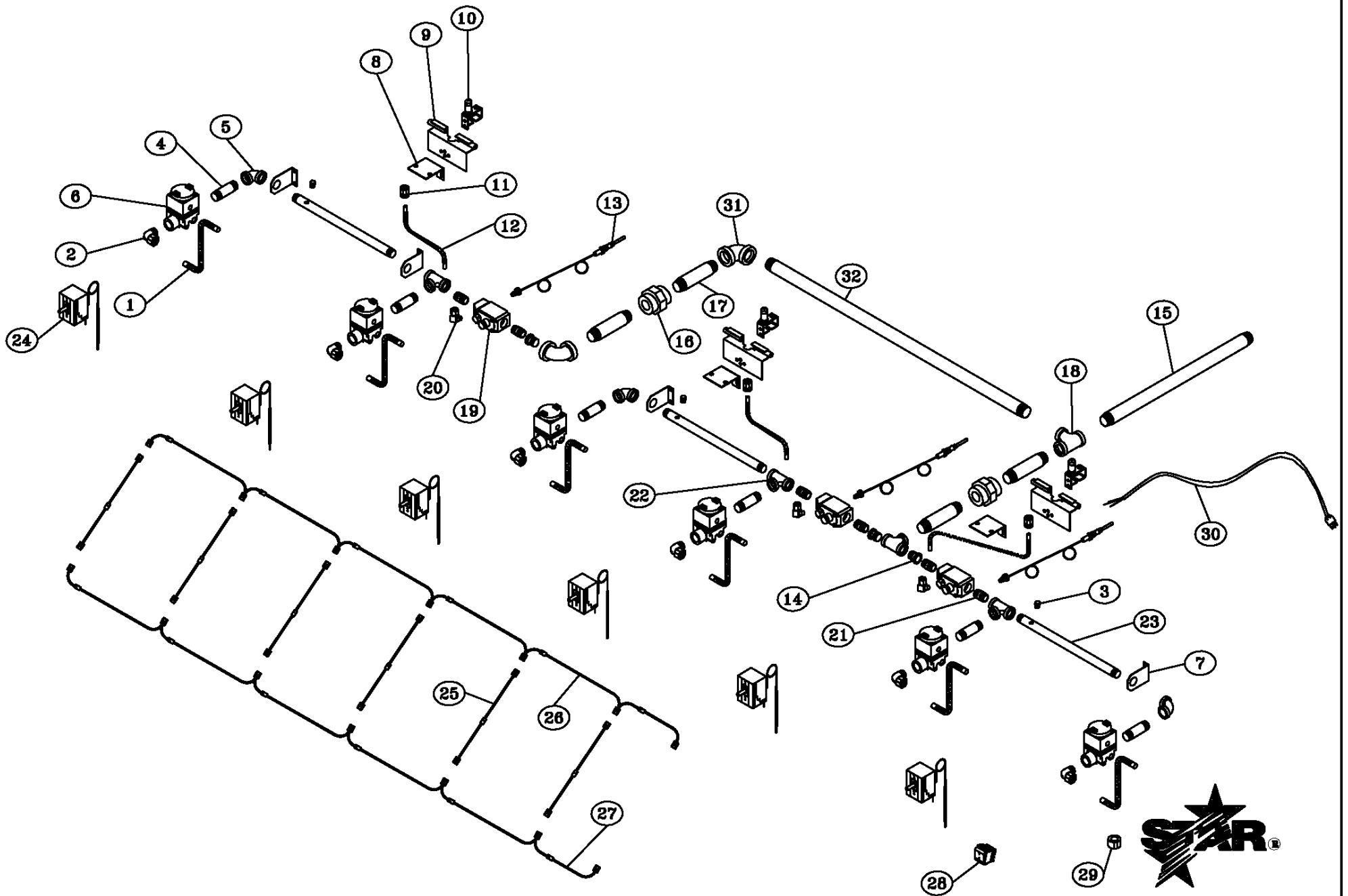
**IMPORTANT: WHEN ORDERING, SPECIFY VOLTAGE OR TYPE GAS DESIRED
INCLUDE MODEL AND SERIAL NUMBER**

PAGE 1
OF 1

Some items are included for illustrative purposes only and in certain instances may not be available.



Star Manufacturing International, Inc.



STAR MANUFACTURING INTERNATIONAL, INC.

DRAWING NO. SK1881 DATE: 01/24/02 MODEL: 872TS AND 872TSCHS

DR: SO

PARTS LIST

March 15, 2006, Rev A

MODEL **872TS-LP** and **872TSCHS-LP** Series

Key Number	Part Number	Number Per Unit	Description and Model Designation
1	2K-Z4921	6	BURNER FLEX TUBE 872TS/TSCHS
2	2K-2675	6	FITTING 3/8 CC X 3/8 MPT 872TS/TSCHS
3	2P-1453	3	PIPE PLUG 872TS/TSCHS
4	2K-Y5550	6	NIPPLE 3/8 NPT X 1 1/2 872TS/TSCHS
5	2K-2665	3	ELBOW 3/8 NPT 872TS/TSCHS
6	2J-Z4610	6	SOLENOID VALVE 872TS/TSCHS
7	G5-Z4907	4	MOUNTING BRACKET 872TS/TSCHS
8	G5-824019	3	PILOT BRACKET ASSY 872TS/TSCHS
9	G5-824018	3	FLASH TUBE BRACKET ASSY 872TS/TSCHS
10	2J-Z4608	3	PILOT BURNER 872TS/TSCHS
11	2A-Y2017	3	PILOT ORIFICE 872TS/TSCHS
12	2K-Z4920	3	PILOT TUBE FLEX 872TS/TSCHS
13	2J-Z4609	3	THERMOCOUPLE 872TS/TSCHS
14	2K-Z4617	3	REDUCER BUSHING 872TS/TSCHS
15	2K-Z5032	1	INLET PIPE 872TS/TSCHS
16	2K-Z5033	2	UNION 872TS/TSCHS
17	2K-Z4618	4	NIPPLE 3/4 NPT X 2 1/4 872TS/TSCHS
18	2K-Z5034	2	3/4 NPT TEE 872TS/TSCHS
19	2J-Z4607	3	SAFETY VALVE 872TS/TSCHS
20	2V-6671	3	PILOT VALVE 872TS/TSCHS
21	2K-Y4403	6	CLOSE NIPPLE 3/8 NPT 872TS/TSCHS
22	2K-9688	3	TEE 3/8 NPT 872TS/TSCHS
23	2K-Z4612	3	NIPPLE WITH PRESSURE TAP 872TS/TSCHS
24	2T-Z7440	6	ELEC. THERMOSTAT manufactured after 8/2005 872TS/TSCHS
	PS-Z9318	6	THERMOSTAT SERVICE KIT manufactured before 8/2005 872TS/TSCHS
25	G5-824015	6	WIRE ASSEMBLY #1 872TS/TSCHS
26	G5-872017	1	WIRE ASSEMBLY 872TS "C" 872TS/TSCHS
27	G5-872016	1	WIRE ASSEMBLY 872TS "L" 872TS/TSCHS
28	2E-Z1858	1	SWITCH 872TS/TSCHS
29	2K-Y2967	1	CORD BUSHING 872TS/TSCHS
30	N2-30409	1	CORD SET 872TS/TSCHS
31	2K-Z4611	2	ELBOW 3/4 NPT 872TS/TSCHS
32	2K-Z5035	1	NIPPLE 3/4 NPT X 22 1/2 872TS/TSCHS

**IMPORTANT: WHEN ORDERING, SPECIFY VOLTAGE OR TYPE GAS DESIRED
INCLUDE MODEL AND SERIAL NUMBER**

PAGE 1
OF 1

Some items are included for illustrative purposes only and in certain instances may not be available.



Star Manufacturing International, Inc.