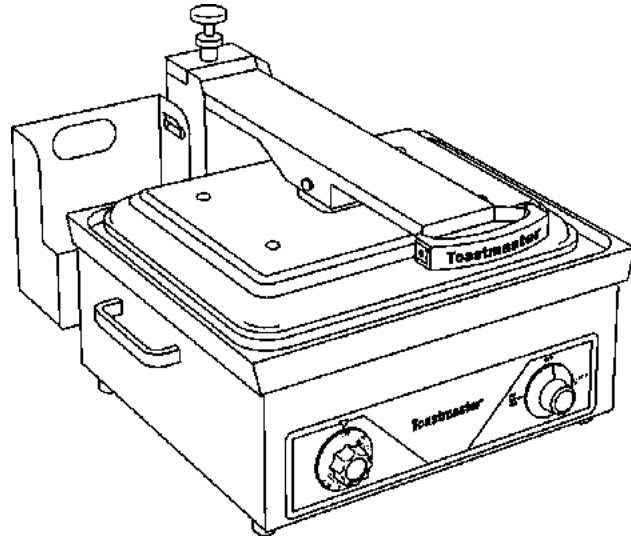


A710 Series Parts (1993-current)
USA & Standard Export
English



A710 series
USA & Std. Export

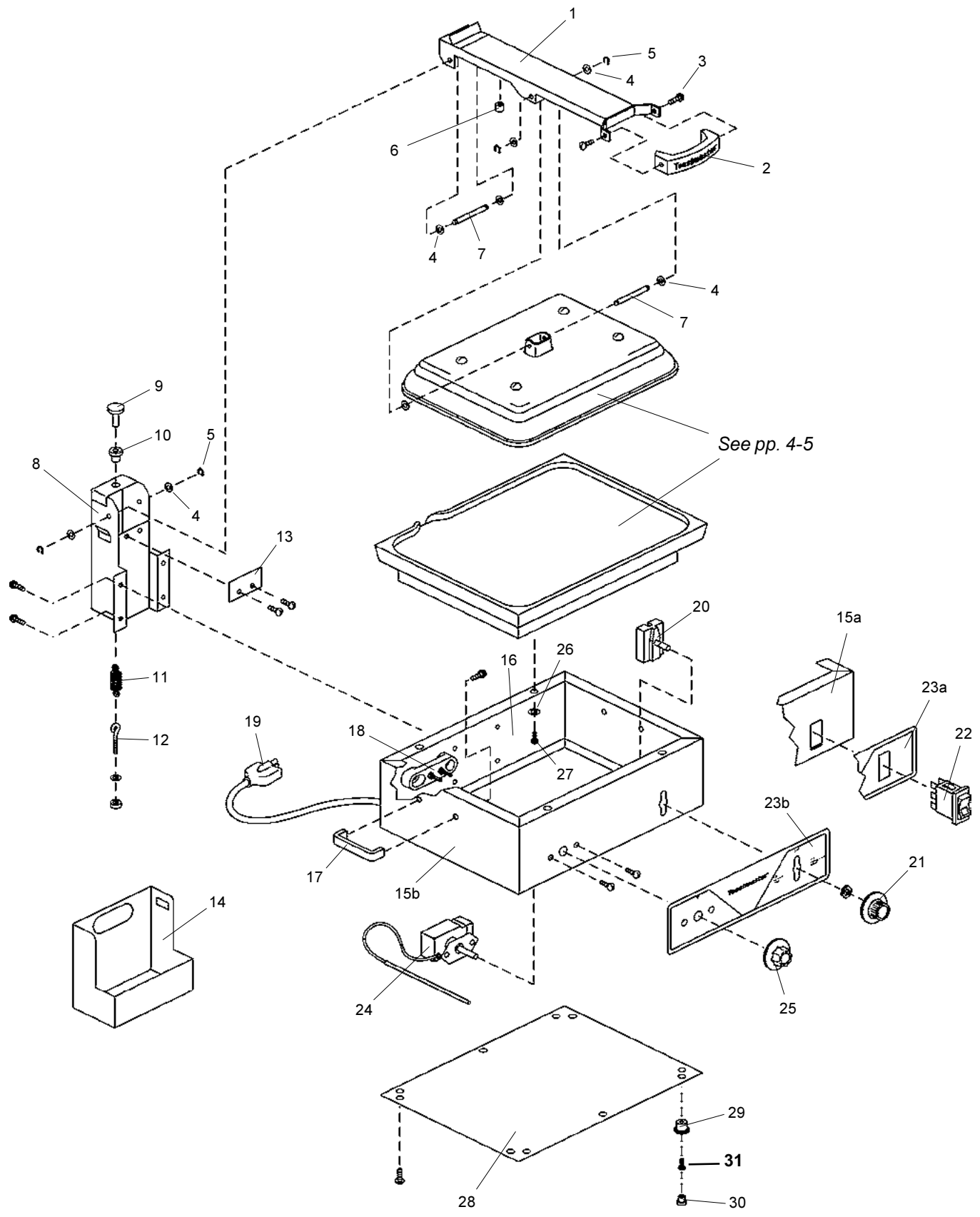


A710 Series Sandwich and Panini Grills *(produced 1993 or later)*

MODELS: **A7106** **A7106-A** **A7106U**
 A710PA **A710PA74** **A710PAU** **A710SA**

PARTS MANUAL *for domestic and standard export grills*

MAIN COMPONENTS



PARTS LIST

July 18, 2012, Rev -

Model No: A7106, A7106-A, A710U, A710PA, A710PA74, A710PAU, A710SA Main Components				
Item No	Qty	Part No	Description	Application
1	1	2B-7609805	ASSY ARM	
2	1	2R-3101758	HANDLE, DRAWER	
3	2	2C-2000126	SCREW, SET RND HD #8-32 X 1/2" NP	
4	A/R	2C-2001767	WASHER, FLAT 1/4in SST	
5	A/R	2C-3102933	RING, RETAINING, SH-25 SS	
6	1	2A-K1DS268	PAD, RUBBER FOOT ADHSV BACK	
7	2	2V-7006900	ASSY, PIN TOP	
8	1	D9-7609806	ASSY, BRACKET HINGE	
9	1	2R-2100095	STUD, KNOB ADJUSTMENT 1/4	
10	1	2R-A710E8901	KNOB KNURLED THUMB	
11	1	2P-3103258	SPRING, BALANCE	
12	1	2C-3102521	SCR,EYE 8-32 X 1.69'OA	
13	1	D9-7006914	COVER, PLATE	
14	1	2W-7006899	THROUGH, GREASE	
15.2	1	D9-44400	WLDMT, CASE A710	
16	1	D9-7610590	WLMT, PLATE BACK	
17	2	2R-3101722	HANDLE, 10-24 TAP BUFF FIN	
18	1	D9-1456A0133	ASSY, BLOCK TERMINAL	
19.1	1	2E-7610588	ASSY, CORD AND PLUG, NEMA (5-15P) 120V	
19.2	1	D9-7610589	ASSY, CORDSET (6-16P) 250V15	A7106-A-208V
19.3	1	D9-GR0564	CORD SET ASSEMBLY 5-20P	120V
		2K-Z15511	STRAIN RELIEF LIQ-TIGHT	
19.4	1	D9-58622	CORDSET, (6-15P)250V15A16	208V, 240V
20	1	2E-33388	SWITCH, 3 POSITION 250V	
21	1	2R-33402	KNOB, CONTROLS (TC14) Aug. 2000 & After	
	2			A710PA74-120
22	1	2E-3003830	SWITCH, ROCKER, DPDT ON-OFF-ON, July 2000 & Before	
23.2	1	2M-Z13090	GRAPHIC, TM A710	
24	1	2T-7A2S86	THERMOSTAT, 100-450F	
25	1	2R-A710E8751	KNOB, TSTAT 150-450F	
26	4	2C-B10212	WASHER,LOCK SPLIT 1/4IN Z	
27	4	2C-2000340	SCR,MS HX HD 1/4-20X3/8 1	
28	1	D9-7007827	COVER CASE BOTTOM	
29	4	2P-4021D8905	BUMPER, RECESS, COMPND BUNA	
30	4	2P-3100357	BUMPER	
31	4	2C-2000126	SCR, MS PHL PNHD 8-32X1/2	
WIRE SETS				
TOP		D9-44386	WIRESET, TOP A710	
BOTTOM		D9-44387	WIRESET, BOTTOM A710	
CONTROL		D9-44388	WIRESET, CONTROL	

**IMPORTANT: WHEN ORDERING, SPECIFY VOLTAGE OR TYPE GAS DESIRED
INCLUDE MODEL AND SERIAL NUMBER**

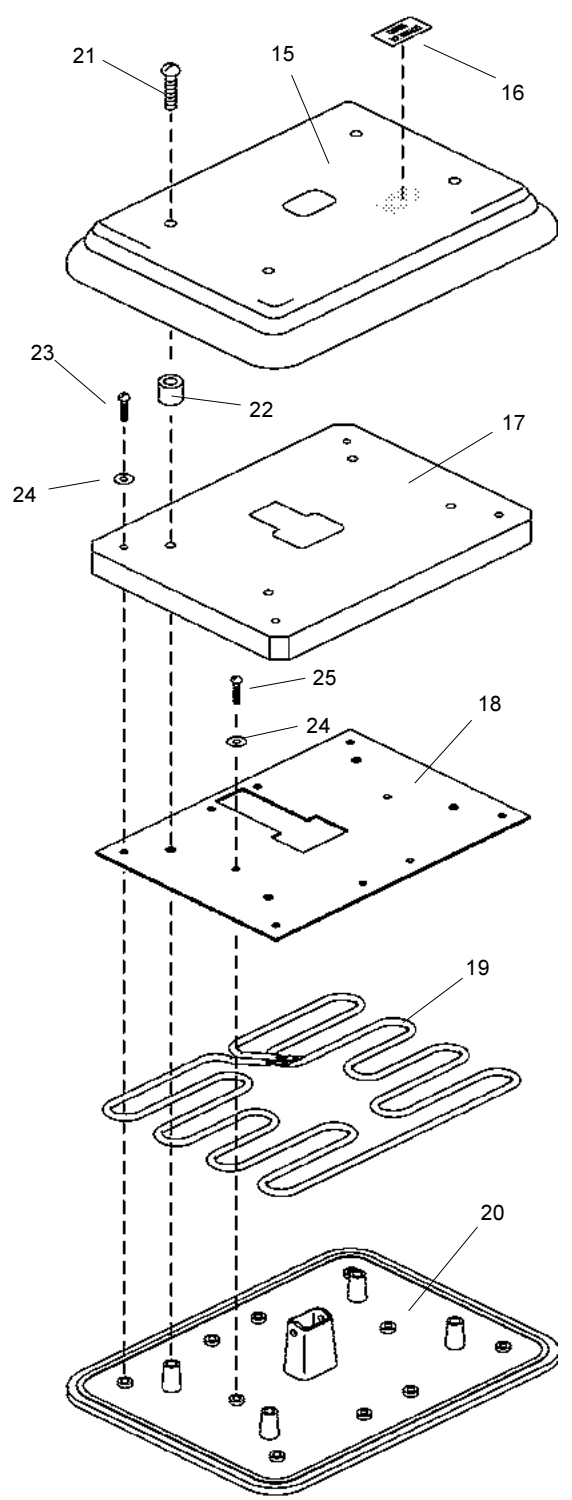
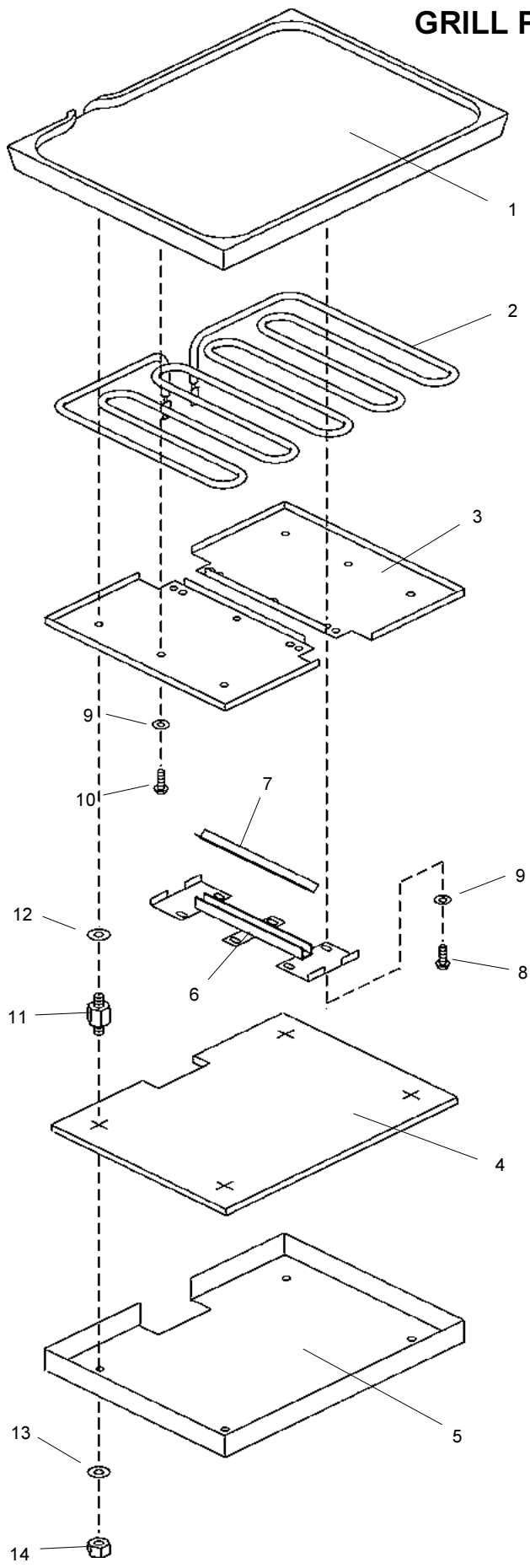
PAGE 1
OF 1

Some items are included for illustrative purposes only and in certain instances may not be available.



A710 series
USA & Std. Export

GRILL PLATE AND HEATER COMPONENTS



PARTS LIST

July 18, 2012, Rev -

Model No: A7106, A7106-A, A710U, A710PA, A710PA74, A710PAU, A710SA Grill Plate & Heater Components				
Item No	Qty	Part No	Description	Application
1	1	2F-A710E8101	GRIDDLE,BOTTOM PLATE A710	
1.1	1	2F-A710E1023	GRIDDLE BOTTOM PLATE CTD	A710SA
1.2	1	2F-41748	GRIDDLE BOT PLT GROOVED	A710PA, A710PA74, A710PAU
2.1	1	2N-A710E8704	ELEMENT, HEATING BOT 120V	120V
2.2	1	2N-A710E8705	ELEMENT, HEATING BOT 208V	208V
2.3	1	2N-A710E8708	ELEMENT, HEATING BOT 240V	240V
3	2	D9-A710E1007	PLATE, PRESSURE BOTTOM	
4	1	D9-7007824	INSULATION, BOTTOM ELEMENT	
5	1	D9-A710E1017	BAFFLE, BOTTOM HEATER	
6	1	D9-A710E0003	ASSY, CLAMP BULB	
7	1	D9-7002943	PLATE, BULB	
8	6	2C-B301A8843	SCR, MS HX HD 1/4-20X1/2	
9	8	2C-F706A8805	WASHER, FLAT RIVET BURR	
10	2	2C-2000340	SCR,MS HX HD 1/4-20X3/8 1	
11	4	2A-7007823	STANDOFF,1/4-20X.56	
12	4	NLA		
13	4	2C-B10212	WASHER, LOCK SPLIT 1/4IN	
14	4	2C-F706A8807	NUT, HEX 1/4-20 BRASS	
15	1	D9-A710E3023	COVER, TOP	
16	1	2M-1112B8303	LABEL, CAUTION INHOT SURFACE	
17	1	D9-A710E1001	BAFFLE, TOP HEATER	
18	1	D9-A710E1021	PLATE, TOP CLAMP	
19.1	1	2N-A710E8712	ELEMENT, HEATING TOP 120V	120V
19.2	1	2N-A710E8713	ELEMENT, HEATING TOP 208V	208V
19.3	1	2N-A710E8716	ELEMENT, HEATING TOP 240V	240V
20.1	1	2F-A710E1025	GRIDDLE, TOP PLATE CTD A710	A710SA
20.2	1	2F-41747	GRIDDLE, TOP PLT GROOVED	A710PA, A710PA74, A710PAU
20.3	1	2F-A710E8103	GRIDDLE, TOP PLATE A710	
21	4	2C-3000350	SCR, MS SLT TRHD 1/4-20X.5	
22	4	NLA		
23	4	NLA		
24	10	2C-F706A8805	WASHER, FLAT RIVET BURR	
25	6	2C-2000340	SCR,MS HX HD 1/4-20X3/8 1	

**IMPORTANT: WHEN ORDERING, SPECIFY VOLTAGE OR TYPE GAS DESIRED
INCLUDE MODEL AND SERIAL NUMBER**

PAGE 1
OF 1

Some items are included for illustrative purposes only and in certain instances may not be available.



WARNING

Improper installation, adjustment, alteration, service or maintenance can cause property damage, injury or death. Read the installation, operating and maintenance instructions thoroughly before installing or servicing this equipment.

NOTICE

During the warranty period, ALL parts replacement and servicing should be performed by your Toastmaster Authorized Service Agent. Service that is performed by parties other than your Toastmaster Authorized Service Agent may void your warranty.

NOTICE

Using any parts other than genuine Toastmaster factory manufactured parts relieves the manufacturer of all warranty and liability.

NOTICE

Toastmaster reserves the right to change specifications at any time.