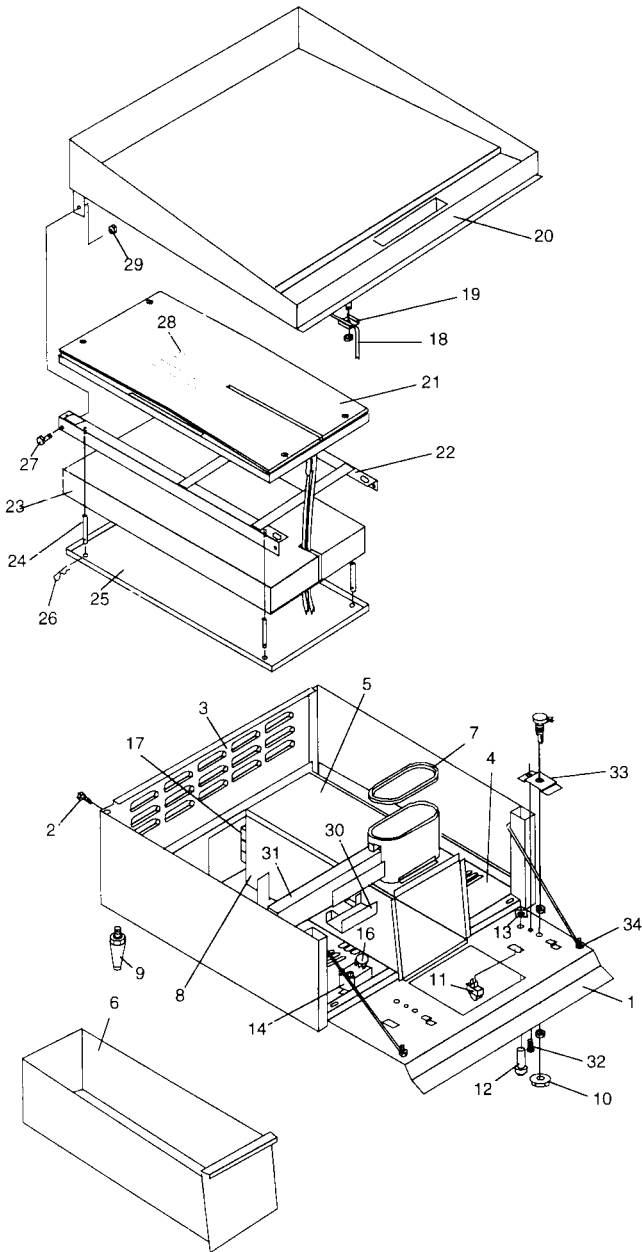


Parts Manual for ACCU-MISER Griddles Models AM24, AM36, AM48, AM24SS, AM36SS

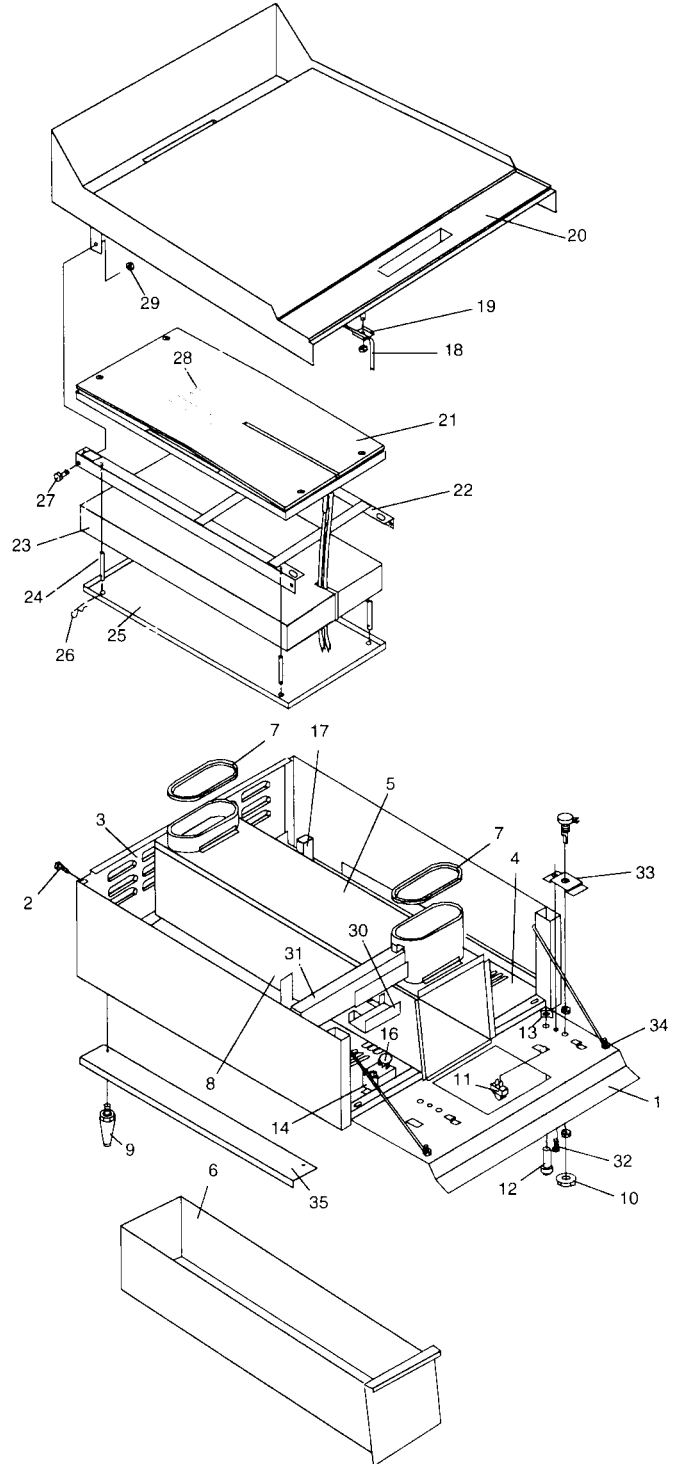
Page 1: Exploded View Drawing

Page 2: Parts Listing

Models AM24, AM36, AM48



Models AM24SS, AM36SS



Refer to Exploded View on Page 1.

	AM24	AM36	AM48	AM24SS	AM36SS	
<i>ITEM</i>	<i>QTY. P/N</i>	<i>QTY. P/N</i>	<i>QTY. P/N</i>	<i>QTY. P/N</i>	<i>QTY. P/N</i>	<i>DESCRIPTION</i>
1	1 30979	1 30988	1 30992	1 37544	1 37542	Front Panel Assembly
2	4 2000620	4 2000620	4 2000620	4 2000620	4 2000620	Screw, #6 x 1/2 SHWHSM
3	1 31183	1 31295	1 31210	1 37445	1 37487	Cover, Back
4	1 30972	1 30987	1 30991	1 37443	1 37485	Cover, Bottom
5	1 30977	1 30977	1 30977	1 37449	1 37449	Cover, Enclosure Assembly
6	1 30978	1 30978	1 30978	1 37446	1 37446	Drawer Assembly
7	1 2700090	1 2700090	1 2700090	2 2700090	2 2700090	Gasket, Grease Spout
8	1 30976	1 30976	1 30976	1 37630	1 37630	Enclosure
9	4 3101908	4 3101908	4 3101908	4 3101908	4 3101908	Leg, Adjustable, 4"
10	2 31154	3 31154	4 31154	2 31154	3 31154	Knob, Temp. Control
11	2 33795	3 33795	4 33795	2 33795	3 33795	Switch, Power On/Off
12	2 3003188	3 3003188	4 3003188	2 3003188	3 3003188	Light
13	2 3A81D8801	3 3A81D8801	4 3A81D8801	2 3A81D8801	3 3A81D8801	Tinnerman Clip
14	2 3004290	3 3004290	4 3004290	2 3004290	3 3004290	Controller w/Potentiometer
16	2 97415	3 97415	4 97415	2 97415	3 97415	Varistor
17	1 3003992	1 3003992	1 3003992	1 3003992	1 3003992	Power Terminal
18	2 3004289	3 3004289	4 3004289	2 3004289	3 3004289	Thermocouple
19	2 7007918	3 7007918	4 7007918	2 7007918	3 7007918	Bracket, Thermocouple
20	1 31160	1 31198	1 31207	1 37444	1 37486	Weldment, Griddle Plate
21	2 7610644	3 7610644	4 7610644	2 7610644	3 7610644	Heater Assembly, 208V
21	2 7610831	3 7610831	4 7610831	2 7610831	3 7610831	Heater Assembly, 240V
22	2 7610637	3 7610637	4 7610637	2 7610637	3 7610637	Frame Support, Heater Assy.
23	2 2500132	3 2500132	4 2500132	2 2500132	3 2500132	Insulation, 1-1/2" Thick
24	2 7007920	3 7007920	4 7007920	2 7007920	3 7007920	Package, Stand-Off
25	2 31182	3 31182	4 31182	2 31182	3 31182	Cover
26	8 2002499	12 2002499	16 2002499	8 2002499	12 2002499	Cotter, Hairpin
27	2 7007923	2 7007923	2 7007923	2 7007923	2 7007923	Shoulder Screw
28	1 7007916	2 7007916	3 7007916	1 7007916	2 7007916	Shoulder Screw
29	1 2001416	2 2001416	3 2001416	1 2001416	2 2001416	Nut
30	2 7610628	3 7610628	4 7610628	2 7610628	3 7610628	Support, Ins. Block Assy.
31	2 2500130	1 2500130	n/a	2 2500130	1 2500130	Insulation, Short Strip
32	n/a	1 2500133	2 2500133	n/a	1 2500133	Insulation, Long Strip
33	2 31187	3 31187	4 31187	2 31187	3 31187	Bracket, Potentiometer
34	2 2001371	2 2001371	2 2001371	2 2001371	2 2001371	Nut
35	n/a	n/a	n/a	2 37837	2 37837	Bracket, Spacer
n/a	1 32025	1 32025	1 32025	1 37813	1 37813	Manual, Owner's Operating
n/a	1 33471	1 33472	1 33473	1 33471	1 33472	Wire set