

This drawing contains information confidential to Star Manufacturing International, Inc. No reproduction or disclosure of its contents is permitted.

SOME ITEMS ARE INCLUDED FOR ILLUSTRATIVE PURPOSES ONLY AND IN CERTAIN INSTANCES MAY NOT BE AVAILABLE OR MAY VARY SLIGHTLY FROM ILLUSTRATION SHOWN.



**STAR MANUFACTURING INTERNATIONAL, INC.**

# PARTS LIST

January 7, 2015, Rev. F

MODEL GR/CG28I, GR/CG28IT, GR28ITGS, CG28IGT, CG28ITGT, GR/CG28SPTI

Key Number	Part Number	Number Per Unit	Description	Model
1A	D9-GR0324	2	TOP CENTER BURN GUARD ASSY	SPTI, IEA
1	D9-GR-0189	2	TOP ENDS BURN GUARD ASSY	SPTI, IEA
2	D9-GR0335	1	BURN GUARD ASSY LEFT	SPTI, IEA
3	D9-GR0334	1	BURN GUARD ASSY RIGHT	SPTI, IEA
4	D9-GR0332	1	BURN GUARD CENTER ASSY RIGHT	SPTI, IEA
5	D9-GR0333	1	BURN GUARD CENTER ASSY LEFT	SPTI, IEA
6	2C-1512	4	SCREW 10-24X3/8 RH	
	2C-1512	8	SCREW 10-24X3/8 RH	SPTI, IEA
7A	2V-Z9517	2	ROD - TOP HOUSING CENTER STOP	SPTI, IEA
7	2V-Z3079	2	PIN ASSY - TOP HOUSING STOP	
	2V-Z3252	2	PIN ASSY - TOP HOUSING STOP	SPTI, IEA
8A	2C-1810	8	WASHER, 3/16"	SPTI, IEA
8	2A-Y6142	4	SLEEVE HANDLE	SPTI, IEA
9	2R-Z2896	2	COUNTER BALANCE	(Not Shown)
	2R-Z3345	2	COUNTER BALANCE, SPLIT-TOP	SPTI, (Shown)
9A	PS-GR134	4	ROLLER BEARING KIT	COUNTER BALANCE REPAIR KIT
10	2C-40637	8	NUT 1/4"-20 ACORN STL MS	
11	2C-08-07-0262	8	WASHER 1/4" INT STL NP	
12	2C-Z2992	8	BOLT 1/4" 20X1 PHP STL NP	
13	2B-Z9515	8	ARM, 14"	SPTI, IEA
	2B-Z2987	4	ARM, 14"	
14	2V-Z2989	2	HANDLE, 14"	
	2V-Z3152	4	HANDLE, 7"	SPTI, IEA
15	2C-Z2992	4	BOLT 1/4" 20X1 PHP STL NP	
16	2M-Z2620	2	LABEL, CAUTION	
	2M-Z5623	4	LABEL, CAUTION, BI-LINGUAL	SPTI, IEA
17	2C-Z2820	4	PIN, TOP HOUSING	
	2C-Z3200	8	PIN, TOP HOUSING	SPTI, IEA
18	2A-Z3827	2	CONDUIT STAMPING PLATE	
19	D9-GR0181	4	TOP HOUSING 7", CONDUIT ASSY	SPTI, IEA
	D9-GR0202	2	TOP HOUSING 14", CONDUIT ASSY	
20	B9-04-WB-0046	4	CLAMP WIRE SUPPORT	SPTI, IEA
	D9-04-GR-0166	2	WIRE MOUNT	
21	D9-GR0079	2	TOP RETAINING PLATE 14"	
	D9-GR0182	4	TOP RETAINING PLATE 7"	SPTI, IEA
22	D9-Z2133	4	INSULATION 7"	SPTI, IEA
	D9-Z2888	2	INSULATION 14"	
23	2A-Z6604	16	SPACER - INSULATED PLATE	
24	D9-Z2075	2	TOP ELEMENT PLATE 14"	
	D9-Z9513	4	TOP ELEMENT PLATE 7"	SPTI, IEA
25	2C-08-07-0285	8	SCREW 10-24 X 3/4 X 3/8	
26	PS-Z2391	2	TOP ELEMENT, 1800W	
	PS-Z3810	4	TOP ELEMENT, 500W	SPTI, IEA
27	PS-GR0352	1	KIT, 2F-Z1948 TOP CASTING - SMOOTH	GR28ITGS
	PS-GR0352	2	KIT, 2F-Z1948 TOP CASTING - SMOOTH	GR28I, GR28IT,
	PS-GR0353	1	KIT, 2F-Z1950 TOP CASTING - GROOVED	GR28ITGS
	PS-GR0353	2	KIT, 2F-Z1950 TOP CASTING - GROOVED	CG28IGT, CG28ITGT, CG28I, CG28IT
	2F-Z8349	4	TOP CASTING - SMOOTH	GR28SPTI
	2F-Z7967	4	CASTING, IRON, TOP, GR -SPT	CG28SPTI
28	D9-Z3903	4	BRACKET, PROBE MOUNT	SPTI, IEA
29	2C-Z3350	4	HALF CLAMP - .188 DIA.	SPTI, IEA
30	2E-Z3278	4	RTD-PROBE - 48" LONG WIRE	SPTI, IEA
73	2C-Z5883	AR	10-24 X 1/2 FZA SCREW	
74	2C-1512	AR	SCREW 10-24X3/8 RHP STL NP	B SERIES UNITS
75	2C-6260	AR	WASHER #10 INT STL NP	B SERIES UNITS
76	2V-Z11388	AR	LINK ASSY BASE, TOP HOUSING	B SERIES UNITS
77	2A-Z11676	AR	CHAIN LINK, 50SS	B SERIES UNITS

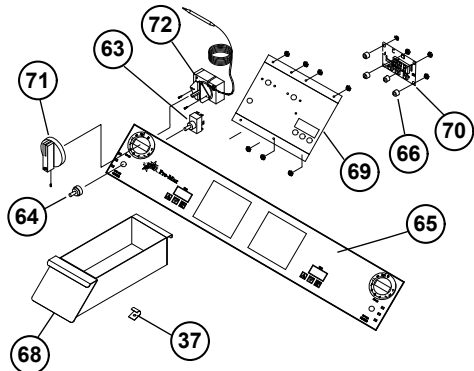
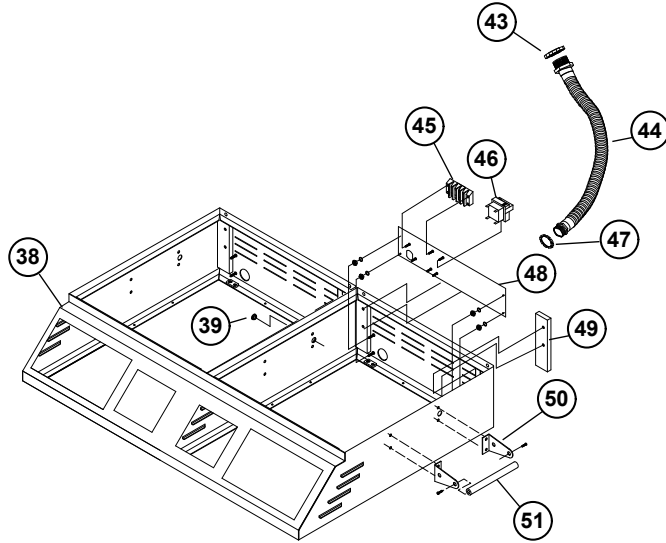
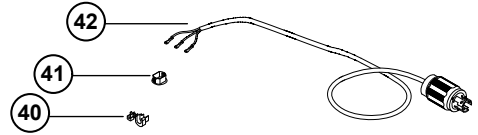
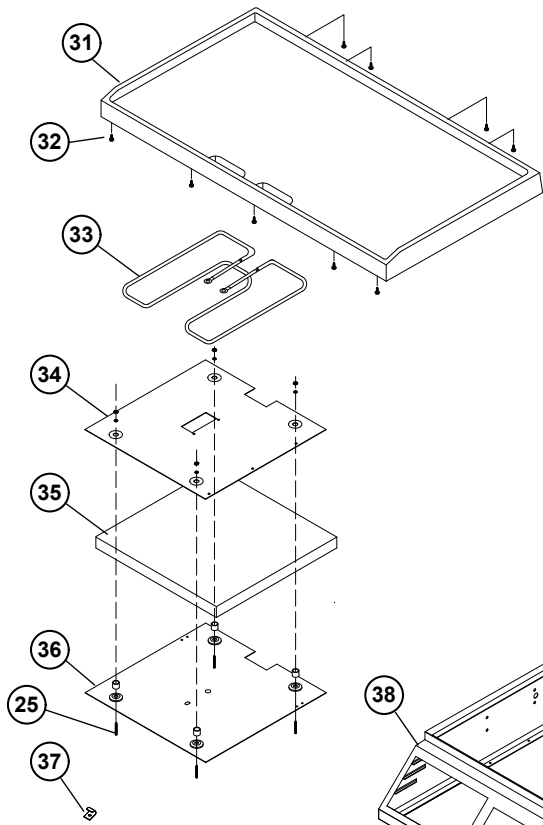
**IMPORTANT: WHEN ORDERING, SPECIFY VOLTAGE OR TYPE DESIRED  
INCLUDE MODEL AND SERIAL NUMBER**

PAGE 1  
OF 3

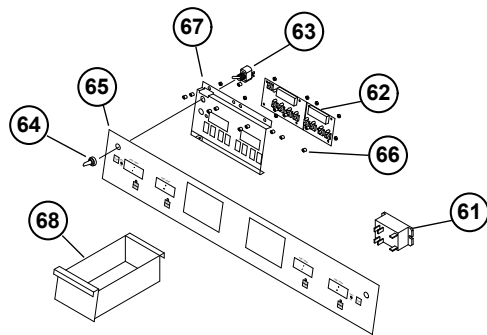
Some items are included for illustrative purposes only and in certain instances may not be available.



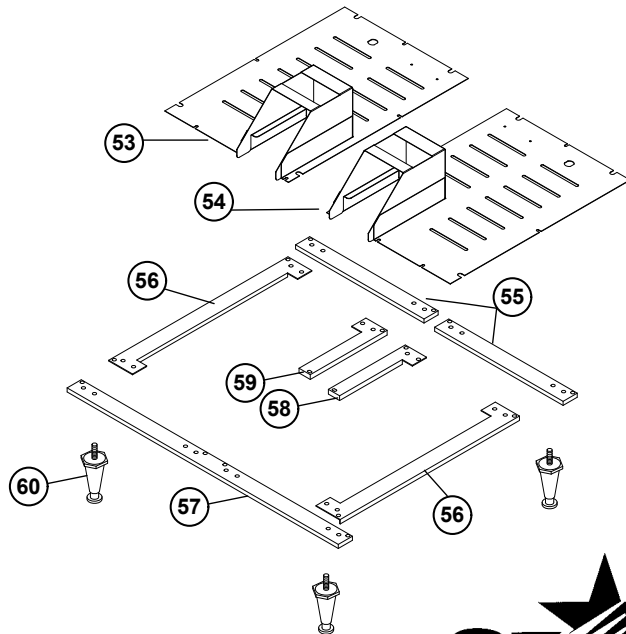
**Star Manufacturing International, Inc.**



**MANUAL CONTROL**



**ELECTRONIC CONTROL**



This drawing contains information confidential to Star Manufacturing International, Inc. No reproduction or disclosure of its contents is permitted.

SOME ITEMS ARE INCLUDED FOR ILLUSTRATIVE PURPOSES ONLY AND IN CERTAIN INSTANCES MAY NOT BE AVAILABLE OR MAY VARY SLIGHTLY FROM ILLUSTRATION SHOWN.

**MODEL:GR28 - CG28 - BASE**



**STAR MANUFACTURING INTERNATIONAL INC.**

SK2182

Rev. A

4/15/10

# PARTS LIST

January 7, 2015, Rev. F

MODEL GR/CG28I, GR/CG28IT, GR28ITGS, CG28IGT, CG28ITGT, GR/CG28SPTI

Key Number	Part Number	Number Per Unit	Description	Model
31	PS-GR0365	1	KIT, 2F-Z1962 BOTTOM CASTING - SMOOTH	GR28I, GR28IT, CG28IGT, CG28ITGT, GR28ITGS
	PS-GR0366	1	KIT, 2F-Z1963 BOTTOM CASTING - GROOVED	CG28I, CG28IT
32	2C-08-07-0117	8	SCREW 10-24X3/4 FZA	
	2C-08-07-0285	32	SCREW 10-24X3/4X3/8, 2 HEX DBL END STL	SPTI, IEA
33	2N-Z2392	2	ELEMENT, BOTTOM 1800W	
	2N-Z9520	2	ELEMENT, BOTTOM 2150W	SPTI, IEA
34	D9-Z2618	2	BOTTOM ELEMENT RET. PLATE	
	D9-Z8082	2	BOTTOM ELEMENT RET. PLATE	SPTI, IEA
35	D9-Z2888	2	INSULATION 14"	
36	D9-Z2619	2	BOTTOM INSULATION RET. PLATE	
	D9-Z8082	2	BOTTOM ELEMENT RET. PLATE	SPTI, IEA
37	2A-Z3026	2	HALF CLIP	
38	D9-GR0098	1	BODY ASSY 28"	
	D9-GR0320	1	BODY ASSY 28"	SPTI
	D9-GR0580	1	BODY ASSY 28"	IEA
39	2K-Y1139	1	BUSHING, HEYCO	
40	2K-3485	1	BUSHING, HEYCO	240V
41	2P-Z2911	2	PLUG, DOUBLE "D"	
42	2E-Z11879	1	CORD, SET 6/3 6-50P	240C/240VC
	2E-Z2922	1	CORD STO 10/3NEMA L6-30P	240V
	D9-GR0577	1	CORD STO 10/3-72" OPEN	CG28ITGTBKSA, CG28ITGT-KSA
43	2C-Z3780	4	CONDUIT RETAINER	
44	2E-Z2898	2	CONDUIT ASSY PTFE	
45	2E-Z2894	2	TERMINAL BLOCK	
46	2E-05-07-0350	2	TRANSFORMER 230V/10V;6VA	
47	2E-Z3768	4	CONDUIT LOCKNUT	
48	D9-GR0054	1	REAR LINER ASSY - BOTTOM CORD SET	
	D9-GR0156	2	REAR LINER ASSY	SPTI
	D9-GR0180	1	REAR LINER ASSY - REAR CORD SET	240V
	D9-GR0317	1	REAR LINER ASSY - REAR CORD SET	240VC
49	D9-GR0032	4	TORQUE BOX ASSY	
50	D9-Z3071	4	HANDLE BRACKET	
51	2V-Z3072	2	SIDE HANDLE	
53	D9-GR0519	1	BASE ASSY/GREASE CAB - LEFT	
	D9-GR0528	1	BASE ASSY/GREASE CAB - LEFT	SPTI, IEA
54	D9-GR0521	1	BASE ASSY/GREASE CAB - RIGHT	
	D9-GR0527	1	BASE ASSY/GREASE CAB - RIGHT	SPTI, IEA
55	2V-Z3027	2	LEG SUPPORT - CROSS	
56	D9-Z9516	2	SIDE LEG SUPPORT	
57	2V-Z9504	1	CROSS SUPPORT 28"	
58	D9-Z3030	1	LEG SUPPORT L.H.	
59	D9-Z3029	1	LEG SUPPORT R.H.	
60	2A-Z0314	4	FOOT, 4" DIE CAST	
	2A-Z12946	4	BASE, FOOT NON-SKID	
61	2E-Z3335	4	RELAY DBL POLE-SNGL THR	SPTI
62	2J-Z6323	2	TIME/TEMPERATURE CONTROL	SPTI, IEA
63	2E-Z3808	2	SWITCH TOGGLE	SPTI, IEA
	2E-Z6863	2	SWITCH, 3 POSITION,	CG28IT(ser. no. less than CGB29481 use PS-GR0225) CG28ITGT (serial no. less than CGB25137 use PS-GR0225)
	PS-GR0225	1	SWITCH KIT	
64	2I-05-07-0013	2	SWITCH BOOT	

**IMPORTANT: WHEN ORDERING, SPECIFY VOLTAGE OR TYPE DESIRED  
INCLUDE MODEL AND SERIAL NUMBER**

PAGE 2  
OF 3

Some items are included for illustrative purposes only and in certain instances may not be available.



**Star Manufacturing International, Inc.**

# PARTS LIST

January 7, 2015, Rev. F

MODEL GR/CG28I, GR/CG28IT, GR28ITGS, CG28IGT, CG28ITGT, GR/CG28SPTI

Key Number	Part Number	Number Per Unit	Description	Model
65	2M-Z3045	1	OVERLAY w/TIMER, Rocker Switch	CG/GR28IT
	2M-Z7431	1	OVERLAY w/TIMER, Toggle Switch	CG/GR28IT
	2M-Z3088	1	OVERLAY w/PILOT LIGHT	CG/GR28I
	2M-Z9107	1	OVERLAY w/TIMER	SPTI
66	2K-Z1971	8	SPACER	
	2K-Z1971	14	SPACER	SPTI, IEA
67	D9-GR0151	2	FACEPLATE ASSEMBLY	SPTI, IEA
68	D9-GR0518	2	GREASE DRWR ASSY, FLAT FRONT	SPTI
	D9-GR0517	2	GREASE DRAWER ASSY	
69	D9-GR0099	1	FACE PLATE - LEFT w/TIMER	
	D9-GR0114	1	FACE PLATE - RIGHT w/TIMER	
	D9-GR0118	1	FACE PLATE - RIGHT w/PILOT LIGHT	
69	D9-GR0119	1	FACE PLATE - LEFT w/PILOT LIGHT	
70	2J-Z1836	2	TIMER CONTROL	
71	2R-Z4621	2	KNOB - THERMOSTAT	
72	2T-6447	2	THERMOSTAT	
73	2C-Z5883	AR	10-24 x 1/2 FZA SCREW	
NI	2J-Z2329	2	PILOT LIGHT 240V (NOT SHOWN)	

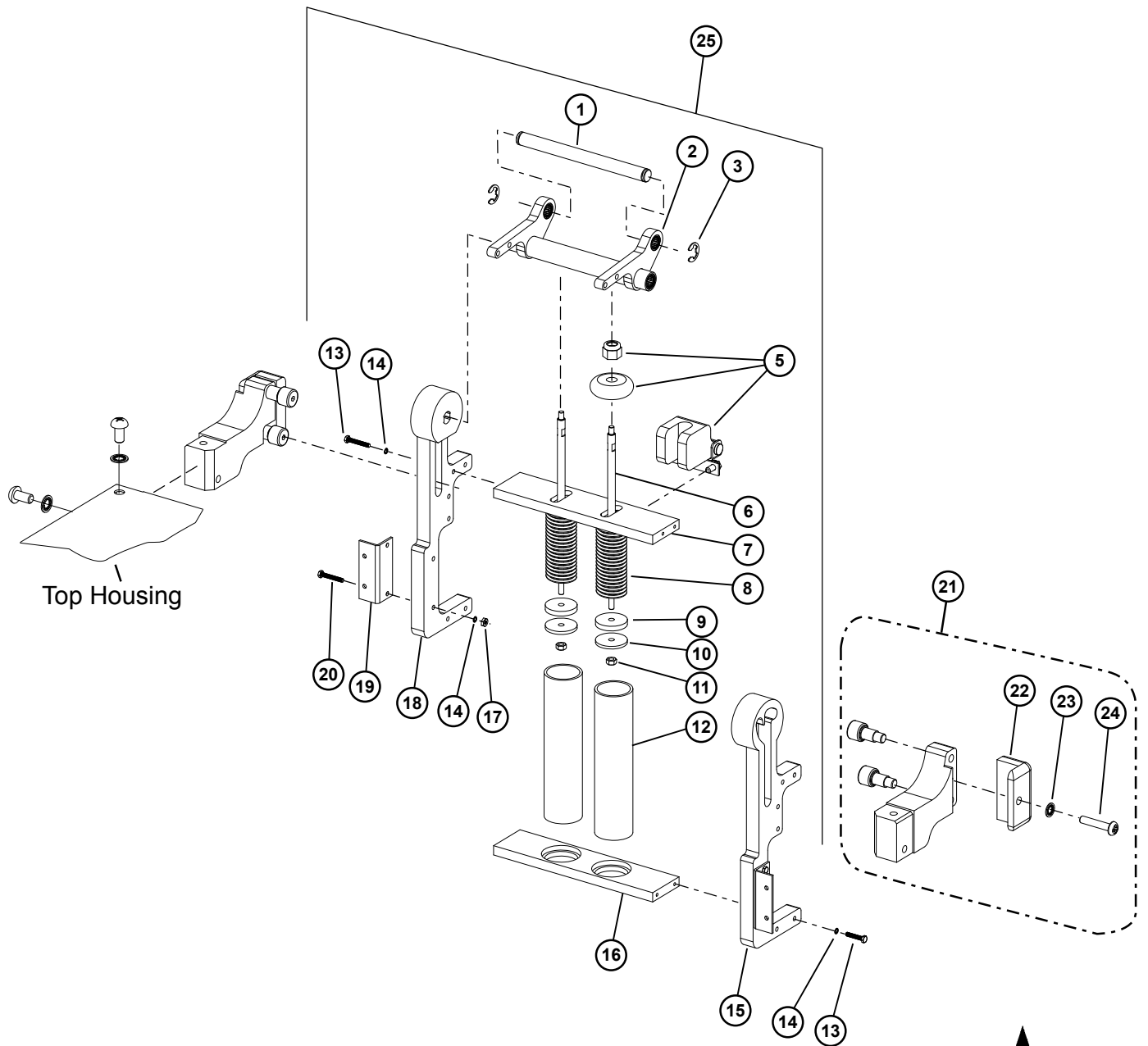
**IMPORTANT: WHEN ORDERING, SPECIFY VOLTAGE OR TYPE DESIRED  
INCLUDE MODEL AND SERIAL NUMBER**

PAGE 3  
OF 3

Some items are included for illustrative purposes only and in certain instances may not be available.



**Star Manufacturing International, Inc.**



**MODEL: SG HINGE MECHANISM**

**PS-GR0536, PS-GR0537, PS-GR0538**

**PS-GR0560, PS-GR0561**



**STAR MANUFACTURING INTERNATIONAL, INC.**

SK2507

Rev. D

1/15/14

**Detail A**

# Parts List

January 7, 2015, Rev. F

HINGE MECHANISM TWO SIDED GRILLS				
Fig No	Part No	Description	Qty	Application
1	2A-Z12471	ARM GUIDE ASSEMBLY LT	1	ALL SINGLE
	2V-Z12452	ARM GUIDE ASSY., ST		SPLIT TOP
2	2A-Z11398	HINGE MECHANISM ROD	1	ALL SINGLE
	2A-Z11405	HINGE MECHANISM ROD, SPT		SPLIT TOP
3	2A-Z11404	SPRING GUIDE MOUNTING ROD	1	SPLIT TOP
	2A-Z11876			ALL SINGLE
4	2A-Z12472	ARM GUIDE ASSEMBLY RT	1	ALL SINGLE
5	D9-GR0515	BASIC ASSY, STOP	1	ALL
6	2V-Z19095	ROD, SPRING GUIDE	1	SPLIT TOP
			2	ALL SINGLE
7	2A-Z11400	SPRING SUPPORT, TOP	1	ALL SINGLE
	2A-Z11406	SPRING SUPPORT, TOP, SPT		SPLIT TOP
8	2P-Z11408	SPRING, 14" AL	2	SMOOTH & GROOVED ALUMINUM
	2P-Z11408	SPRING, 14" AL	1	SMOOTH IRON
	2P-Z11409	SPRING, COMPRESSION, SPT	1	
	2P-Z11409	SPRING, COMPRESSION, SPT	1	SPLIT ALUMINUM
	2P-Z16941	SPRING COMPRESSION, 14" GR IRON	2	GROOVED IRON
9	2A-Z11397	SPRING PISTON STOP	1	SPLIT TOP
			2	ALL SINGLE
10	2C-Z2670	NUT 1/4-20 W/LOCKWASHER	1	SPLIT TOP
		NUT 1/4-20 W/LOCKWASHER	2	ALL SINGLE
11	2V-Z11399	SPRING TUBE	1	SPLIT TOP
			2	ALL SINGLE
12	2C-9704	SCREW 10-24X1 STL HEX NP	8	SPLIT TOP
13	2C-20204-07	WASHER S/S #10 LOCK INT	12	ALL
14	2F-Z11383	LEFT SUPPORT	1	ALL
15	2A-Z11401	SPRING SUPPORT, BOTTOM	1	ALL SINGLE
	2A-Z11407			SPLIT TOP
16	2C-200230	NUT 10-24 HEX SS	4	ALL
17	2F-Z11384	RIGHT SUPPORT	1	ALL
18	D9-Z11387	SUPPORT MOUNTING BRACKET	2	ALL SINGLE
	D9-Z11883			SPLIT TOP
19	2C-Z11821	SCREW 10-24X1-1/4 HHD	4	ALL
20	2C-Z13975	CAM FOLLOWER ASSY, B VERS HNG	4	ALL
21	2F-Z11943	BRACKET LT, ROLLER MOUNT	1	ALL SPLIT TOP
	2F-Z11944	BRACKET RT, ROLLER MOUNT		
	2F-Z11945	BRACKET LT, ROLLER MOUNT		NON SPLIT TOP
	2F-Z11946	BRACKET RT, ROLLER MOUNT		
22	2A-Z12620	SPACER BLOCK	2	ALL
23	2C-6260	#10 INTERNAL TOOTH LOCK WASHER	2	ALL
24	2C-1516	#10-24 UNC X 1.00 LG RHP SCREW	2	ALL
NI	61-Q2686	LOCTIT THREADLOCKER 242	AR	
<b>ITEM 25 DOES NOT INCLUDE ITEMS 20 THRU 24</b>				
25	PS-GR0536	KIT, HINGE SPING 14 SPLT	2	SPLIT TOP
	PS-GR0537	KIT, HINGE SPRING, 14" ALUMINUM	1	SMOOTH & GROOVED ALUMINUM
	PS-GR0538	KIT, HINGE SPRING, 14" IRON	1	SMOOTH IRON

**STAR INTERNATIONAL HOLDINGS INC. COMPANY**

Star - Holman - Lang - Wells - Bloomfield - Toastmaster

10 Sunnen Drive, St. Louis, MO 63143 U.S.A.

(314) 678-6303

www.star-mfg.com