

This drawing contains information confidential to Star Manufacturing International, Inc. No reproduction or disclosure of its contents is permitted.

21 thru 24 Are sold with Accessories:  
30" & 60" Removable Tank Caddies



SOME ITEMS ARE INCLUDED FOR ILLUSTRATIVE PURPOSES ONLY AND IN CERTAIN INSTANCES MAY NOT BE AVAILABLE

MODEL: OCB

STAR MANUFACTURING INTERNATIONAL, INC.

SK2163

REV. A

2/13/06

# PARTS LIST

August 16, 2011, Rev. A

MODEL OUTDOOR CHARBROILER GRILL, OCB30 & OCB60

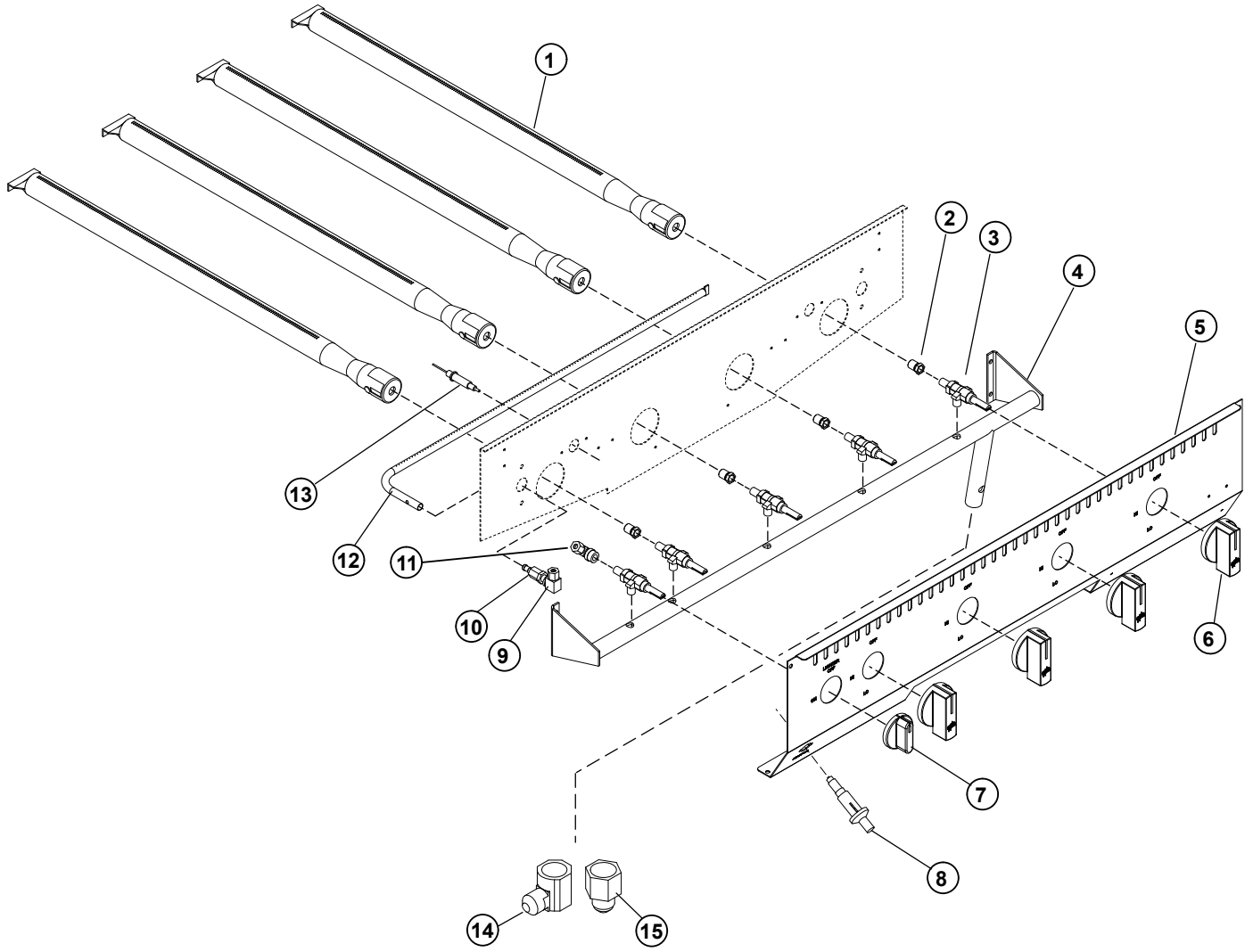
Fig No	Part No	QTY	Desc	Model
1	2B-Z9213	2	GRILL GRATE	OCB30
		4		OCB60
2	H5-Z9237	4	RADIANT	OCB30
		8		OCB60
3	H5-Z9240	1	REAR BURNER SUPPORT BRACKET	OCB30
		2		OCB60
4	H5-Z9256	1	PAN SHIELD	OCB30
		2		OCB60
6	H5-OCG0008	1	WRAPPER ASSY	OCB30
7	H5-OCG0005	1	BOTTOM FRAME ASSY.	OCB30
8	H5-OCG0007	1	FRONT GRATE SUPPORT ASSY	OCB30
9	H5-Z9242	2	SUPPORT BRACKET, IGNITOR TUBE	OCB30
		4		OCB60
10	H5-Z9241	1	IGNITOR - BOX	OCB30
		2		OCB60
11	H5-Z9236	1	ORFICE BRACKET	OCB30
12	H5-OCG0003	1	BULLNOSE ASSY,	OCB30
13	H5-Z9238	1	FRONT PANEL	OCB30
	H5-Z9239			OCB60
14	H5-Z9278	1	LOWER FRONT APPEARANCE BRKT.	OCB30
	H5-Z9279			OCB60
15	H5-Z9245	2	PAN SUPPORT BRKT	OCB30
		4		OCB60
16	H5-Z9235	1	PAN - GREASE	OCB30
		2		OCB60
17	H5-Z9234	1	PAN - FACEPLATE	OCB30
		2		OCB60
18	2R-Z6726	1	HANDLE, PAN	OCB30
		2		OCB60
19	2C-Z6744	2	SCREW, 8-32 X 5/16 RHP SS	OCB30
		4		OCB60
20	2V-Z9214	1 SET	CASTER LEG (SET OF 4)	
21	2C-Z5555	8	BOLT, 1/4-20 X .75" HEX S.S.	included in Caddy Accessory
22	2A-Z9255	2	CADDY HANGING BRKT LONG-FRONT	included in Caddy Accessory
23	2C-T1009	8	NUT, 1/4-20 HEX STL NP	included in Caddy Accessory
24	2A-Z9254	2	CADDY HANGING BRKT SHORT-REAR	included in Caddy Accessory
25	2R-Z6726	1	HANDLE, GRILL GRATE COVER	
26	H5-Z9275	1	GRILL GRATE COVER	OCB30
		2		OCB60
27	2J-Z9289	1	HOSE-REGULATOR ASSY	OCB30
		2		OCB60

IMPORTANT: WHEN ORDERING, SPECIFY VOLTAGE OR TYPE GAS DESIRED  
INCLUDE MODEL AND SERIAL NUMBER

PAGE 1  
OF 1

Some items are included for illustrative purposes only and in certain instances may not be available.





This drawing contains information confidential to Star Manufacturing International, Inc. No reproduction or disclosure of its contents is permitted.

SOME ITEMS ARE INCLUDED FOR ILLUSTRATIVE PURPOSES ONLY AND IN CERTAIN INSTANCES MAY NOT BE AVAILABLE

**MODEL: OCB-MANIFOLD**



**STAR MANUFACTURING INTERNATIONAL, INC.**

SK2161

REV. A

6/8/06

# PARTS LIST

August 16, 2011, Rev. A

MODEL OUTDOOR CHARBROILER GRILL MANIFOLD, OCB30 & OCB60

Fig No	Part No	QTY	Desc	Model
1	2F-Z9200	4	BURNER 1 1/4" Dia.	OCB30
		8		OCB60
2	2J-Z5671	4	ORIFICE # 56	OCB30
		8		OCB60
3	2V-Z6939	5	VALVE HI-LO	OCB30
		10		OCB60
4	2K-Z9221	1	MANIFOLD	OCB30
6	2R-Z4997	4	KNOB	OCB30
		8		OCB60
7	2R-Z9212	1	KNOB, IGNITOR TUBE RED	OCB30
		2		OCB60
8	2J-Z7195	1	SWITCH, IGNITOR	OCB30
		2		OCB60
9	2K-Z6942	1	FITTING 3/8-27 MALE X 1/4	OCB30
		2		OCB60
10	2J-Z9208	1	ORFICE, IGNITOR	OCB30
		2		OCB60
11	2K-Z6941	1	FITTING 3/8-27 FEMALE X 1/4	OCB30
		2		OCB60
12	2F-Z9201	1	IGNITOR TUBE, 3/8" RT	OCB30
	2F-Z9202		IGNITOR TUBE, 3/8" LT	OCB60
13	2J-Z6908	1	IGNITOR - STRAIGHT	OCB30
		2		OCB60
14	2K-Z6943	1	GAS LINE 1/4"DIA X 8"L	OCB30
		2		OCB60
NI	2E-Y7194	1	SHELF-IGNITOR WIRE	OCB30
		2		OCB60

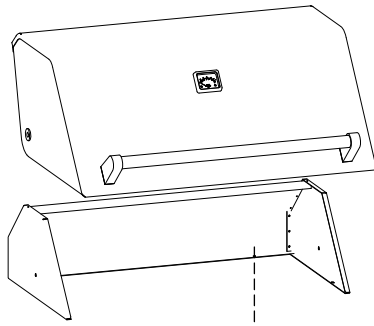
IMPORTANT: WHEN ORDERING, SPECIFY VOLTAGE OR TYPE GAS DESIRED  
INCLUDE MODEL AND SERIAL NUMBER

PAGE 1  
OF 1

Some items are included for illustrative purposes only and in certain instances may not be available.



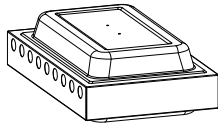
**OCB-H30**



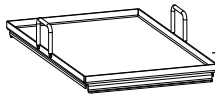
**OCB-WG30**



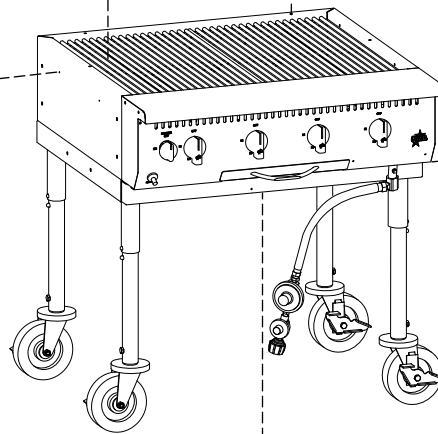
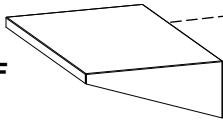
**OCB-S15**



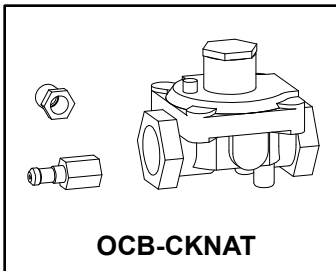
**OCB-G15**



**OCB-SHELF**

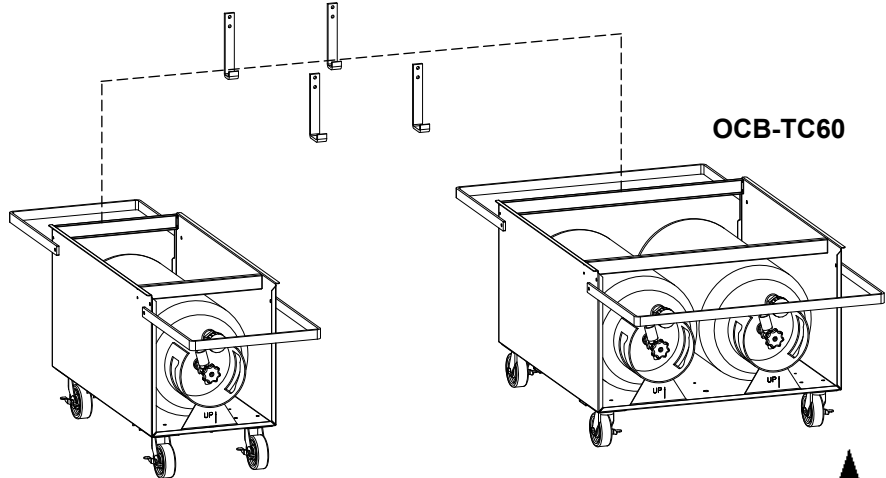


**OCB-TB20**



**OCB-CKNAT**

**OCB-TC60**



This drawing contains information confidential to Star Manufacturing International, Inc. No reproduction or disclosure of its contents is permitted.

SOME ITEMS ARE INCLUDED FOR ILLUSTRATIVE PURPOSES ONLY AND IN CERTAIN INSTANCES MAY NOT BE AVAILABLE

**MODEL: OCB-ACCESSORIES**



**STAR MANUFACTURING INTERNATIONAL, INC.**

SK2167

Rev. A

6/07/06

# PARTS LIST

August 16, 2011, Rev. A

## MODEL ACCESSORIES FOR OUTDOOR CHARBROILER GRILL

Key Number	Part Number	Number Per Unit	Description and Model Designation
<b>OCB-CKNAT</b>	<b>NATURAL GAS CONVERSION KIT</b>		
	2J-Z9207	2	PRESSURE REGULATOR RV47
	2J-Z9209	2	ORFICE IGNITOR TUBE # 59
	2J-Z9288	8	ORFICE #49
	2M-Z7528	1	LABEL "CONVERTED TO NAT"
<b>OCB-G15</b>	<b>GRIDDLE PLATE</b>		
	H5-OCG0012	1	GRIDDLE PLATE ASSY. 15" W
<b>OCB-H30</b>	<b>HOOD</b>		
	2C-Z6932	2	ACORN NUT 3/8"
	2C-Z6933	4	HEX BOLT, 1/4-20X1"
	2C-Z9244	2	PIVOT BOLT, HOOD
	2I-Z6924	2	HANDLE INSULATOR
	2P-Z6922	2	HANDLE END CAP
	2R-Z6988	1	HANDLE
	2T-Z9247	1	TEMPERATURE GAUGE
	H5-OCG0009	1	HOOD ASSY
	H5-Z9251	1	BACK, HOOD SUPPORT
	H5-Z9252	1	RIGHT SIDE HOOD SUPPORT
	H5-Z9253	1	LEFT SIDE, HOOD SUPPORT
<b>OCB-S15</b>	<b>STEAMER</b>		
	2D-Z9282	1	WATER PAN FULL SIZE 4"
	2D-Z9283	1	PERFORATED PAN F.S. 2 1/2"
	2D-Z9284	1	PAN COVER FULL SIZE, NO HANDLE
	H5-Z9281	1	STEAMER BODY 15" W
<b>OCB-SHELF</b>	<b>SIDE SHELF</b>		
	H5-Z9273	1	SIDE SHELF
<b>OCB-TB20</b>	<b>20# TANK BRACKET</b>		
	2C-T1009	2	NUT 1/4-20 HEX STL NP
	2C-Z6927	2	1/4-20X1/2"L PH PAN HD
	H5-Z9292	1	TANK BRACKET, 20# LP
<b>OCB-TC30</b>	<b>TANK CADDY 30"</b>		
	2A-Z9254	2	CADDY HANGING BRKT. SHORT
	2A-Z9255	2	CADDY HANGING BRKT. LONG
	2A-Z9265	2	HANDLE CADDY
	2C-Z0280	1	THUMB SCREW
	2P-Z6770	2	CASTER RIGID 3 1/2"
	2P-Z6771	2	CASTER SWIVEL 3 1/2"
	2V-Z9259	1	40# HORIZONTAL LP TANK
	H5-OCG0010	1	TANK CADDY BODY ASSY
	H5-Z9266	2	CADDY SUPPORT BRKT
	H5-Z9269	1	REAR TANK HOLD DOWN BRKT
<b>OCB-TC60</b>	<b>TANK CADDY 60"</b>		
	2A-Z9254	2	CADDY HANGING BRKT. SHORT
	2A-Z9255	2	CADDY HANGING BRKT. LONG
	2A-Z9258	2	HANDLE CADDY
	2C-Z0280	2	THUMB SCREW
	2P-Z6770	2	CASTER RIGID 3 1/2"
	2P-Z6771	2	CASTER SWIVEL 3 1/2"
	2V-Z9259	2	40# HORIZONTAL LP TANK
	H5-OCG0011	1	TANK CADDY BODY ASSY
	H5-Z9260	2	CADDY SUPPORT BRKT
	H5-Z9263	1	REAR TANK HOLD DOWN BRKT
<b>OCB-WG30</b>	<b>WIND GUARD</b>		
	H5-Z9276	1	WIND GUARD

Some items are included for illustrative purposes only and in certain instances may not be available.

PAGE 1  
OF 1



Star Manufacturing International, Inc.