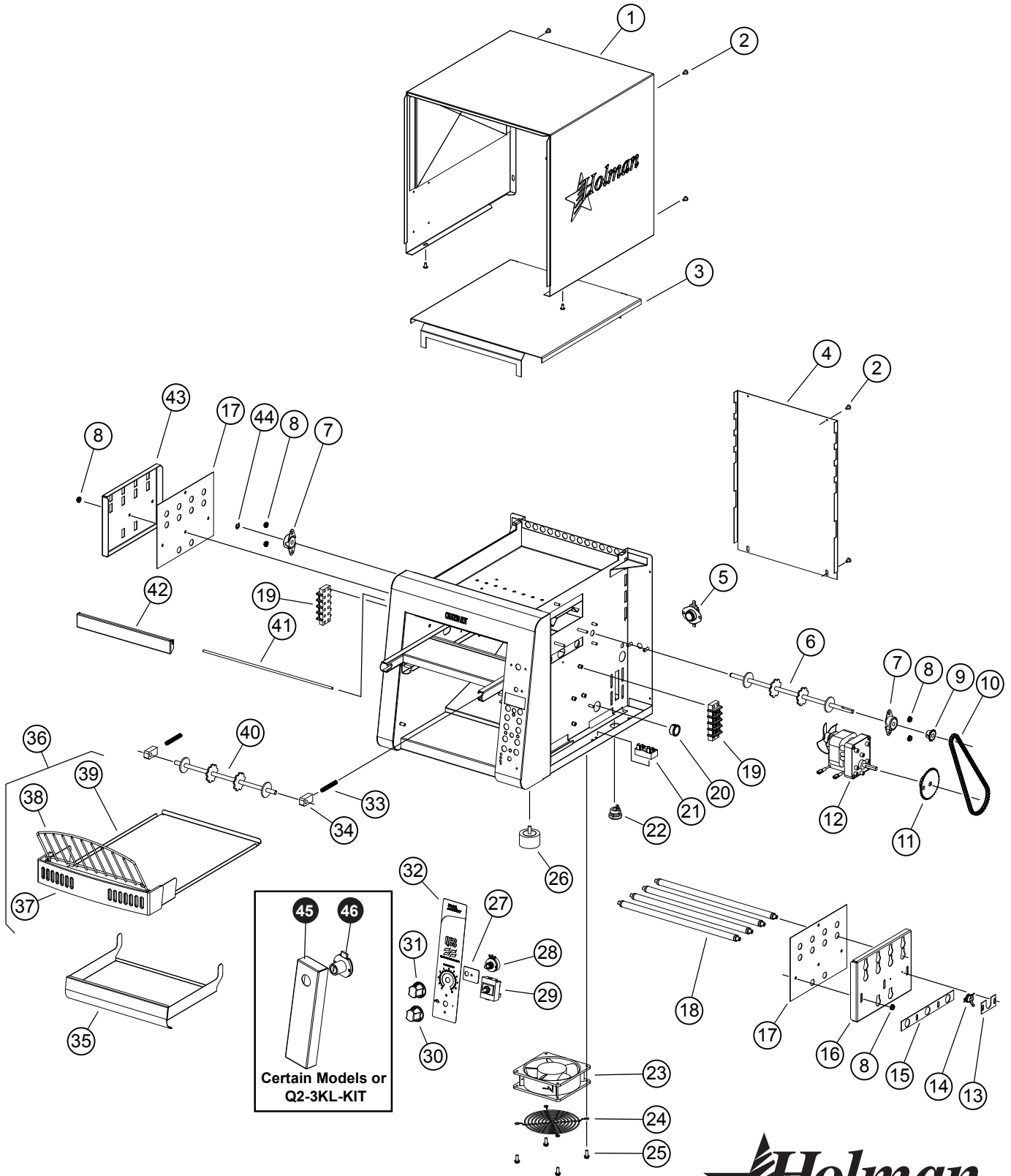


Q2E & R2E C-Version Holman Conveyor Toaster



Model: Q2 & R2 C-Version Conveyor Toasters

SK2924, Rev. - 8/13/15

# PARTS LIST

August 10, 2015, Rev. -

Model: Q2-120BC, Q2-500C, Q2-60HC, Q2-80C, R2-120BC, R2-60HC, R2-80C				
Fig. No.	Part Number	Quantity	Description	Applications
1	HC-120258	1	ENCLOSURE ASSY - QCS-2	
2	2C-6349	12	SCREW #8X3/8 B THP STL NP	
3	HB-120270	1	TOP BAFFLE ASSY QCS-2 LO	
	HB-120280		BAFFLE ASSEMBLY, HIGH	Q2-60HC, R2-60HC
4	HC-Z10412	1	BACK PANEL QCS-2	
5	2E-200566	1	SWTCH,RSET,0796-190F TRPS	
6	2A-202900	1	SHAFT, T710 DRIVE	
8	HA-112261	2	BEARING ASSY PTFE/BRONZE	
9	2P-Z8779	1	SPROCKET 25P-11T .313 ID	
10	2P-150013	1	DRIVE CHAIN #25 ROLLER	Q2-50C, Q2-60HC, Q2-60HCF, Q2-60HCS, Q2-80C, R2-60HC, R2-80C
	2P-150015		CHAIN DRV #25,RLR/20.5"LG	Q2-120BC, R2-120BC
11	2P-200645	1	SPROCKET, 25B17 X 5/16	Q2-50C, Q2-60HC, Q2-60HCF, Q2-60HCS, Q2-80C, R2-60HC, R2-80C
	2P-200648		SPROCKET, 25B32 X 5/16	Q2-120BC, R2-120BC
12	2U-Z13803	1	MOTOR, DRIVE 120V CW	Q2-50C-CUL20
	HA-120243		MTR,ASSY,QCS,220,230,240V	Q2-60HC-CE, Q2-60HC-UK, Q2-80C-230CE, Q2-80C-240UK
	HB-120262		MOTOR ASSY 208-240V	
	HC-120290		MOTOR ASSEMBLY 230V-50HZ	Q2-12BC-CE
13	HG-402144	1	FAN SWITCH BRACKET	Q2-120BC, R2-120BC
14	2E-200574	1	SWITCH, FAN, CERAMIC	Q2-120BC
15	HB-Z11519	1	BRACKET-ELEMENT RETAINER	R2-120BC-208
	HC-Z11288	2	RETAINER,RCS,ELEMENT	R6-60HC, R2-80C
16	HC-Z10390	1	ELEMENT RETAINER,RHT	Q2-50C, Q2-60HC, Q2-80C, R2-80C
	HC-Z10440		ELEMENT RETAINER RIGHT	Q2-120BC
	HC-Z10443		HEATER TUBE RETAINER	R2-120BC-208
	HC-Z11287		ELEMENT RETAINER-RH,RCS-2	R2-60HC
17	HB-Z10858	2	ELEMENT GUIDE PLATE	Q2-60HC, R2-60HCJ
	HC-Z10388		ELEMENT GUIDE PLATE	Q2-80C, R2-80C
	HC-Z10439		ELEMENT GUIDE PLATE 1200	Q2-120BC
	HC-Z10442		ELEMENT GUIDE PLATE SERP	R2-120BC-208
	HC-Z15540		PLATE - ELEMENT GUIDE	R2-60HC-208/240V
18	2N-209112	2	ELEMENT, SERPENTINE, RCS	R2-120BC-240
	2N-209114	2	SERP-ELMNT-MTL,208V-1425W	R2-120BC-208
	2N-209194	2	ELEMENT METAL, 200W/120V	R2-120BC-240
	2N-209198	2	ELMNT-MTL,208V-200W@104V	R2-120BC-208
	2N-209199	4	METAL ELEMENT, 500W, 104V	R2-60HCJ-208
	2N-209216	4	ELEMENT,METAL,500W,120V	R2-60HCJ-240
	2N-Z15500	6	ELMNT,MTL/470W@208V/RCS-2	R2-60HC-208V, R2-80C-208V
	2N-Z15987	6	ELEMENT, 470W 240W RCS-2	R2-60HC-240V, R2-80C-240V
	HD-198042	6	HEATERTUBE, QCS-2-500	Q2-50C-CUL20
	HG-198062	4	HTRTBE,QTZ-800W@104V,208V	Q2-120BC-208V
	HG-198064	4	HTRTBE,QTZ/800W@120V,180HM	Q2-120BC-240V, Q2-12BC-CE
	HO-197841	4	HTRTBE,QTZ-208V,703W@104V	Q2-60HC-208V, Q2-80C-208V
	HO-197842	4	HTRTBE,QTZ,707W@120V	Q2-60HC-240V, Q2-60HC-UK, Q2-80C-240UK, Q2-80C-240V
	HO-197844	4	HEATERTUBE, QUARTZ	Q2-60HC-220V, Q2-60HC-CE, Q2-60HCS-220, Q2-80C-220V, Q2-80C-230CE

# PARTS LIST

August 10, 2015, Rev. -

**Model: Q2-120BC, Q2-500C, Q2-60HC, Q2-80C, R2-120BC, R2-60HC, R2-80C**

Fig. No.	Part Number	Quantity	Description	Applications
19	2E-Z10406	2	TERMINAL BLOCK 4 POS	
20	2K-200464	1	BUSHING, WIRE RING 7/8"	Q2-120BC
		2		Q2-50C, Q2-80C, R2-60HC, R2-80C
21	2E-Z9736	1	TERMINAL BLOCK - POWER	
22	2K-200465	1	BSHNG,CORD HEYCO 14/3 BL	Q2-12BC-CE
	2K-Y2968	1	BUSHING - HEYCO 7W-2	Q2-120BC-208/240V
		2	BUSHING - HEYCO 7W-2	R2-60HC-208V
23	2U-200559	1	MOTOR, FAN 120V 12A12-BTM	Q2-50C-CUL20
	2U-200560		MOTOR, FAN, 240V 23BTL	Q2-60HC-208/240V, Q2-60HCF, Q2-60HCS, Q2-80C, R2-60HC, R2-80C
	2U-200561		MOTOR, FAN 240V 23BTM	Q2-120BC
24	2R-200562	1	FAN GUARD FOR MUFFIN FAN	
25	2C-Z9632	4	10-32 X 1/2 SCREW FZA	
26	2R-Z18201	4	FOOT 1.69X1 SIL 1/4 20	
27	2P-402728	1	POT, ANTI SPIN PLATE	
28	HA-120239	1	SPEED CNTRL ASSY, 250 OHM	Q2-50C-CUL20
	HB-120261		SPD CNTL ASSY,500 OHM POT	Q2-120BC, Q2-12BC-CE, Q2-60HC, Q2-80C, R2-60HC, R2-80C
29	2E-200551	1	SWITCH ROTARY	Q2-120BC, Q2-50C-CUL20
	2J-200538	2	SWITCH, EGO 240V INFINITE	Q2-60HC, Q2-60HCF, Q2-60HCS, Q2-80C, R2-60HC, R2-80C
30	HA-120353	1	KNOB ASSY, PWR SV-INF CNT	Q2-120BC, Q2-12BC-CE
		3		Q2-50C-CUL20, Q2-60HC, Q2-80C, R2-60HC, R2-80C
31	HA-120352	1	KNOB ASSY, CONTROL SPEED	
32	2M-Z18408	1	LABEL, QCS2-3 CONTROL	Q2-50C, Q2-60HC, Q2-60HCF, Q2-60HCS, Q2-80C
	2M-Z18425		LABEL, Q2-Q3 CONTROL	Q2-120BC
	2M-Z18426		LABEL, RCS-2,-2 CONTROL	R2-60HC, R2-80C
	2M-Z18427		LABEL, RCS-2,-3 BAGEL	R2-120BC-208
33	2P-200736	2	2 INCH BEARING SPRING	
34	2P-200700	2	BRG SPRING LOADED	
35	HA-100560	1	TRAY, PULL OUT, QCS, 10	
	HF-100562		SECURITY TRAY, PULL-OUT	Q2-60HCS
36	HF-101115	1	TRAY, CRUMB ASY, Q2 SERIES	
37	PS-200787	1	CRUMB TRAY GUARD w/HRD	
38	2B-200763	1	LOADUP, 10 EURO,WIRE	
39	HC-402457	1	CRUMB TRAY, QCS-2	
40	2A-202904	1	SHAFT, 210HX IDLER	
41	HC-402134	1	NC10H SHUTTER ROD	Q2-60HC, R2-60HC
42	HC-402206	1	HEATER SHUTTER, SWINGING	Q2-60HC, R2-60HC
43	HC-Z10389	1	ELEMENT RETAINER LEFT	Q2-50C, Q2-60HC, Q2-80C, R2-60HC, R2-80C
	HC-Z10441		ELEMENT RETAINER LEFT	Q2-120BC
44	2A-200284	1	E-CLIP 5/16"	
45	HB-Z11456	1	SECURITY LOCKING COVER	Q2-60HCS, Q2-80CS
46	HA-Z11222	1	KEYLOCK - DRILLED	Q2-60HCS, Q2-80CS
NI	2B-200601	35	BELT,CONVEYOR-10"WIDE	

Q2E & R2E C-Version Holman Conveyor Toaster

# PARTS LIST

August 10, 2015, Rev. -

Model: Q2-120BC, Q2-500C, Q2-60HC, Q2-80C, R2-120BC, R2-60HC, R2-80C				
Fig. No.	Part Number	Quantity	Description	Applications
NI	2M-Z10833	1	LABEL, W.D.SERIES	Q2-60HC, Q2-60HCF, Q2-80C, R2-60HCJ-208
	2M-Z10834		LABEL,W.D.,PARALLEL	Q2-50C-CUL20, R2-60HC, R2-80C
	2M-Z10836		LABEL,W.D,W/FAN SW.SERIES	Q2-120BC-208/240V
	2M-Z10838		LABEL,W.D.SERP.W/FAN S.W.	R2-120BC-208
	2M-Z13587		LABEL,W.D.W/FAN SW SERIES	Q2-12BC-CE
NI	2P-200786	1	WIRE BRUSH	R2-120BC
NI	2P-Z11428	4	JUMPER, 2-POS, 14MM	Q2-50C, R2-60HC, R2-80C
NI	D9-GR0216	1	POWER CORD ASSY-UK	Q2-60HC-UK, Q2-80C-240UK
NI	HA-120242	1	CORDSET ASSY QCS-1-CUL20	Q2-50C-CUL20
	2E-Y7874		CORD SET CEEY/VII	Q2-12BC-CE
	HA-120245		CORDSET ASSY NEMA 6-20P	Q2-120BC-208/240V, Q2-60HC-208/240, Q2-60HCF, Q2-60HCS, Q2-80C-208/240V, Q2-80CS-208
	HB-120267		CORD SET R2-1200B	Q2-60HC-220V, Q2-HCS-220, Q2-60HCS-220
	HB-120276		CORD ASSEMBLY CEE7-7	Q2-60HC-CE, Q2-80C-230CE