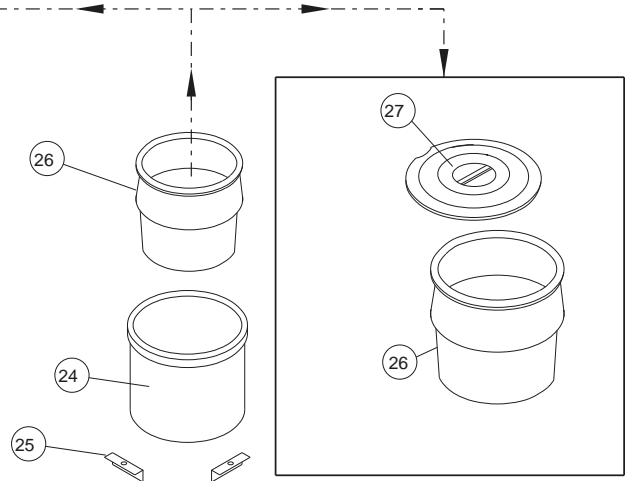
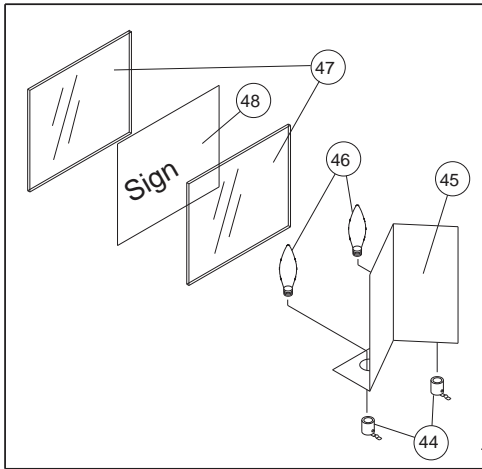


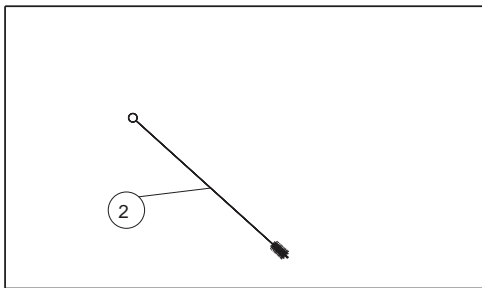
PUMP MODELS



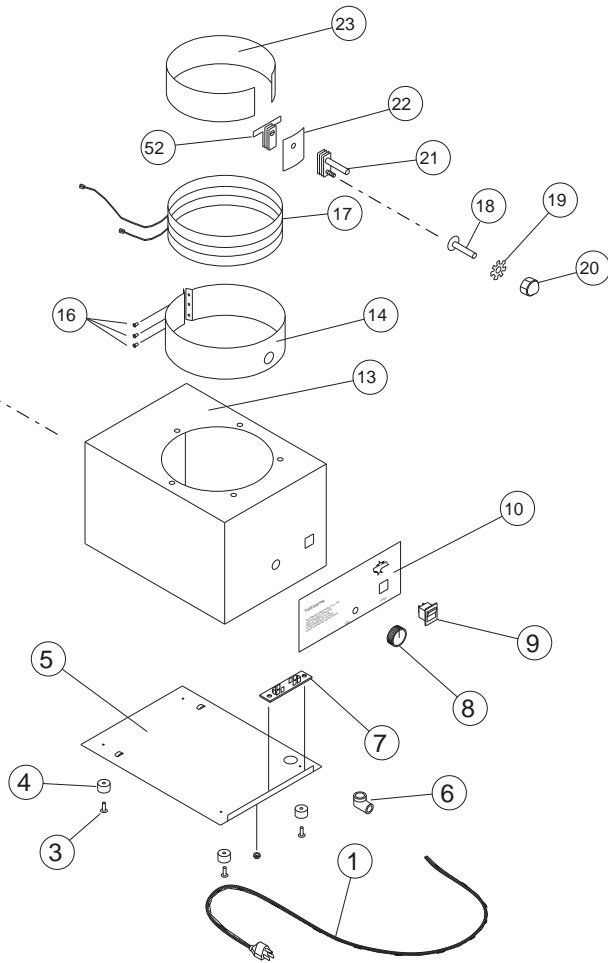
NON-PUMP MODELS



LIGHTED MODELS



PUMP ACCESSORIES



STAR MANUFACTURING INTERNATIONAL, INC.

MODEL: 11WLA- 120/240V

SK1442,

Rev. A

12-14-10

# PARTS LIST

December 13 2010, Rev. H

Model: 11WLA, 11WLA-HS, 11WLA-P				
Fig No.	Part No	Qty	Description	Application
1	<a href="#">N1-119030</a>	1	CORD ASSY 120V	120V
1	<a href="#">N1-119033</a>	1	CORD ASSY 120V(CSA)	C/UL
1	<a href="#">N1-119034</a>	1	CORD ASSY. 240V	240V
2	<a href="#">2P-Y6211</a>	1	BRUSH	11WLA-HS, 11WLA-P
3	<a href="#">2C-Y5059</a>	4	POP RIVET	ALL
4	<a href="#">2I-Z0057</a>	4	FOOT	ALL
5	<a href="#">N1-Z0697</a>	1	BOTTOM	ALL
6	<a href="#">2K-Y2968</a>	1	BUSHING STRAIN RELEIF	ALL
7	<a href="#">2E-Y8233</a>	1	TERMIINAL BOARD	ALL
8	<a href="#">2R-Y8261</a>	1	KNOB-THERMOSTAT	ALL
9	<a href="#">2E-Z5884</a>	1	SWITCH	ALL
10	<a href="#">2M-Z0691</a>	1	REAR PANEL (SIGN)	ALL
13	<a href="#">N1-119039</a>	1	BODY ASSY. (WARMER)	11WLA, 11WLA-P
13	<a href="#">N1-119040</a>	1	BODY ASSY. (HEATED SPOUT)	11WLA-HS
14	<a href="#">O1-Y9787</a>	1	BAND-ELEMENT	ALL
16	<a href="#">2C-H5569</a>	3	POP RIVET 1/8 x .6	ALL
17	<a href="#">2N-Z0205</a>	1	ELEMENT 120V	120V, C/UL
17	<a href="#">2N-Z0665</a>	1	ELEMENT 240V	240V
18	<a href="#">2C-1496</a>	2	SCREW 8-32 x 3/4 STL. PH	ALL
19	<a href="#">2C-H8670</a>	1	WASHER-LOCK #8	ALL
20	<a href="#">2C-2556</a>	3	NUT #8-32	ALL
21	<a href="#">2T-Z0245</a>	1	THERMOSTAT	ALL
22	<a href="#">N1-Z0700</a>	1	BRACKET	ALL
23	<a href="#">O1-Y9786</a>	1	BAND-HEATER	11WLA-120V
24	<a href="#">N1-119038</a>	1	HEAT-WELL	11WLA-120V
25	<a href="#">N1-Y3654</a>	5	ANGLE-STIFFENER	11WLA-120V
26	<a href="#">2D-Y3464</a>		BOWL-INSET	ACCESSORY: SSB-11
27	<a href="#">2L-Y6596</a>		COVER 11QT FORMED	ACCESSORY: SSB-11
29	<a href="#">2R-Y9854</a>	1	KNOB-BLK.	11WLA-HS-120V
30	<a href="#">2A-Y9637</a>	1	NUT CYLINDER SLEEVE	11WLA-HS, 11WLA-P
31	<a href="#">N2-Y9848</a>	1	PLATE-PLASTIC PUMP	11WLA-HS, 11WLA-P
32	<a href="#">2V-Y7661</a>	1	PLUNGER-SHIELD	11WLA-P-120V
33	<a href="#">2A-Z0718</a>	1	GUIDE PLUNGER 3"	11WLA-HS, 11WLA-P
34	<a href="#">2P-Z0830</a>	1	SPRING	11WLA-HS-120V
35	<a href="#">N2-Y4146</a>	1	WASHER, SPRING COMPRESS TEFLN	11WLA-HS, 11WLA-P

**IMPORTANT: WHEN ORDERING, SPECIFY VOLTAGE OR TYPE GAS DESIRED  
INCLUDE MODEL AND SERIAL NUMBER**

PAGE 1  
OF 2

Some items are included for illustrative purposes only and in certain instances may not be available.



**Star Manufacturing International, Inc.**

# PARTS LIST

December 13 2010, Rev. H

Model: 11WLA, 11WLA-HS, 11WLA-P				
Fig No.	Part No	Qty	Description	Application
36	<a href="#">2I-Y9636</a>	1	ROD/PLUNGER	11WLA-HS, 11WLA-P
37	<a href="#">2I-Y4143</a>	1	O-RING, PISTON	11WLA-HS, 11WLA-P
38	<a href="#">2P-Y6196</a>	2	BALL-VALVE	11WLA-HS, 11WLA-P
39	<a href="#">2A-Y7658</a>	1	NUT-SLEEVE IN BG TUBE	11WLA-P-120V
40	<a href="#">2I-Z0730</a>	1	PUMP CHAMBER	11WLA-HS-120V
41	<a href="#">2A-Y9685</a>	1	PIN-"U"	11WLA-HS, 11WLA-P
42	<a href="#">2V-62006</a>	1	DISPENSE TUBE ASSEMBLY STANDARD	11WLA-HS, 11WLA-P
43	<a href="#">N1-119041</a>	1	SPOUT ASSY. 240V	11WLA-HS240V
43	<a href="#">N1-119044</a>	1	SPOUT ASSY. 120V, used w/ <a href="#">2N-Y4440</a> SPOUT ELEM HEATER	11WLA-HS-120V, 11WLA-HSC/UL
44	<a href="#">N2-30457</a>	2	SOCKET ASSY 2 PO 18" LEAD	ALL
45	<a href="#">N1-119029</a>	1	LAMP SHIELD 120V/240V	11WLA-120V
46	<a href="#">2S-1279</a>	2	LAMP 15W 120V	120V
46	<a href="#">2S-Y8321</a>	2	LAMP 15W 220V	240V
47	<a href="#">2Q-Z0729</a>	2	LEXAN PANEL	11WLA-120V
48	<a href="#">2M-Y9414</a>	1	PACKET (5 SIGNS)	11WLA-120V
52	<a href="#">2T-Z0622</a>	1	THERMOSTAT (HIGH LIMIT)	11WLA-120V
NI	<a href="#">N2-61007</a>		PUMP ASSY COMPLETE	11WLA-HS, 11WLA-P

**IMPORTANT: WHEN ORDERING, SPECIFY VOLTAGE OR TYPE GAS DESIRED  
INCLUDE MODEL AND SERIAL NUMBER**

PAGE 2  
OF 2

Some items are included for illustrative purposes only and in certain instances may not be available.



**Star Manufacturing International, Inc.**