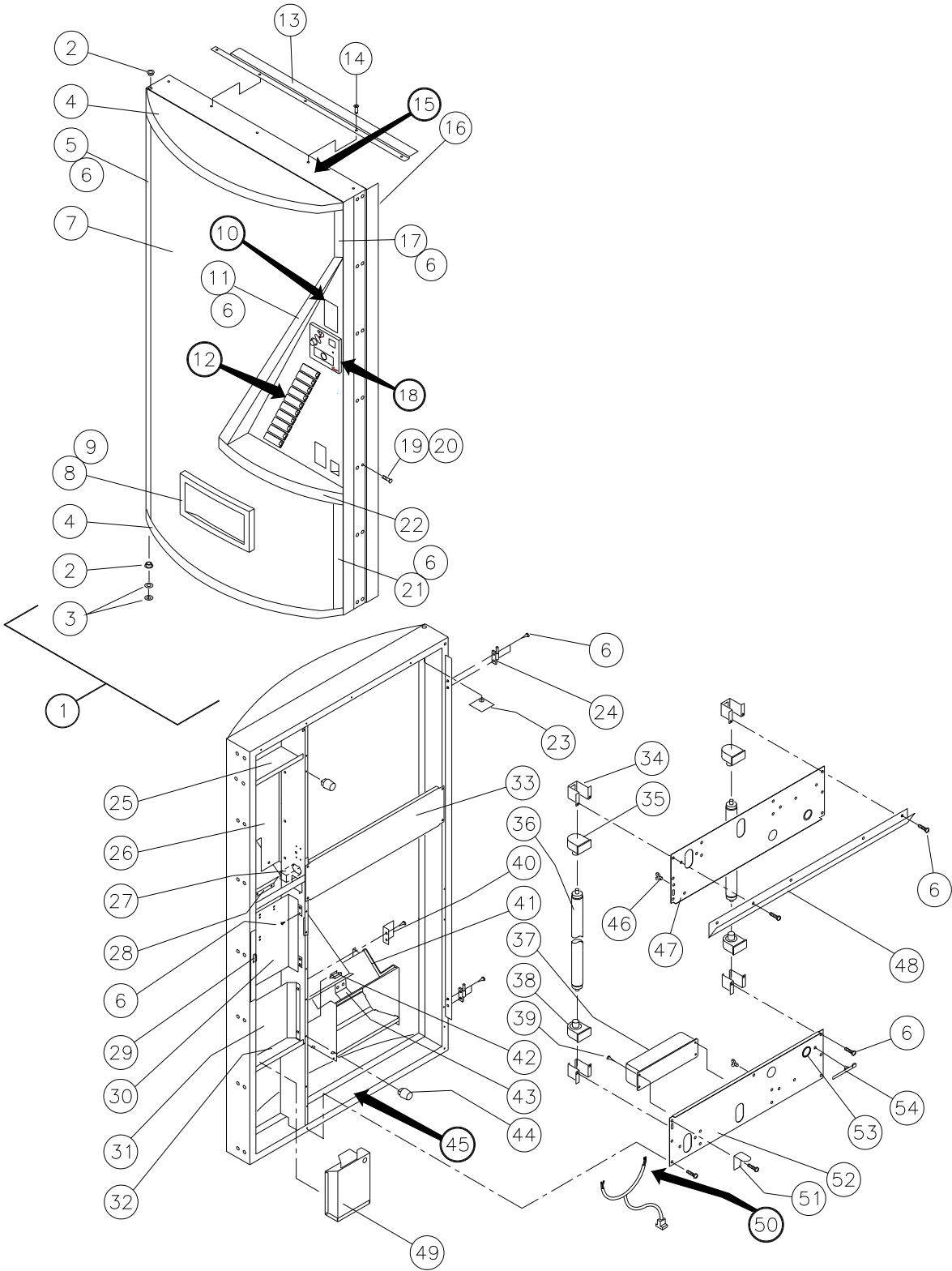




**“UNIVENDOR” DR PEPPER VANDAL-RESISTANT  
DIMENSION III MAIN DOOR**

ITEM NO.	PART NAME & DESCRIPTION	REQ.	270 - 280	310 - 324	388 -392 406	460 - 470 490
			PART NO.	PART NO.	PART NO.	PART NO.
*1	OUTER DOOR ASSEMBLY - 6 SEL.	1	~	~	~	~
~	OUTER DOOR ASSEMBLY - 7 SEL.	1	~	~	~	~
~	OUTER DOOR ASSEMBLY - 8 SEL.	1	~	~	~	~
~	OUTER DOOR ASSEMBLY - 10 SEL.	1	~	~	~	~
~	OUTER DOOR ASSEMBLY DIET - 6 SEL.	1	~	~	~	~
~	OUTER DOOR ASSEMBLY DIET - 7 SEL.	1	~	~	~	~
~	OUTER DOOR ASSEMBLY DIET - 8 SEL.	1	~	~	~	~
~	OUTER DOOR ASSEMBLY DIET - 10 SEL.	1	~	~	~	~
*2	DOOR FRAME WELD	1	134442-20	134442-21	134442-23	134442-24
3	SELECTION PANEL ASSY. - SEE PG. D-7	1	~	~	~	~
4	LOCK ASSY - SEE PG. D-7	1	~	~	~	~
5	DOOR HARNESS	1	1034723	1034723	1034723	1034723
6	INNER DOOR ASSEMBLY (FINAL)	1	134302-5	134302-6	134302-8	134302-9
7	INNER DOOR ASSEMBLY (FOAMED)	1	133438-6	133438-6	133438-8	133438-9
8	DOOR KNOB	1	388305	388305	388305	388305
9	INNER DOOR GASKET KIT -SEE PG. A-5	1	~	~	~	~
10	PIN HINGE	1	389985	389985	389985	389985
11	CARRIAGE BOLT - HANDLE	1	V329258	V329258	V329258	V329258
12	GROMMET	2	388090	388090	388090	388090
13	DELIVERY DOOR (REVERSIBLE)	1	1013076	1013076	1013076	1013076
14	HINGE LEAF	2	388148	388148	388148	388148
15	HH SELF DRILL SCREW #10-16 x 1/2	4	V801489	V801489	V801489	V801489
16	TH TAP SCREW #10 - 16 x 3/8	AR	V800570	V800570	V800570	V800570

\*NOTE: WHEN ORDERING OUTER DOOR ASSEMBLY, PLEASE PROVIDE **9-CODE** AND **MANUFACTURER'S DATE CODE**.

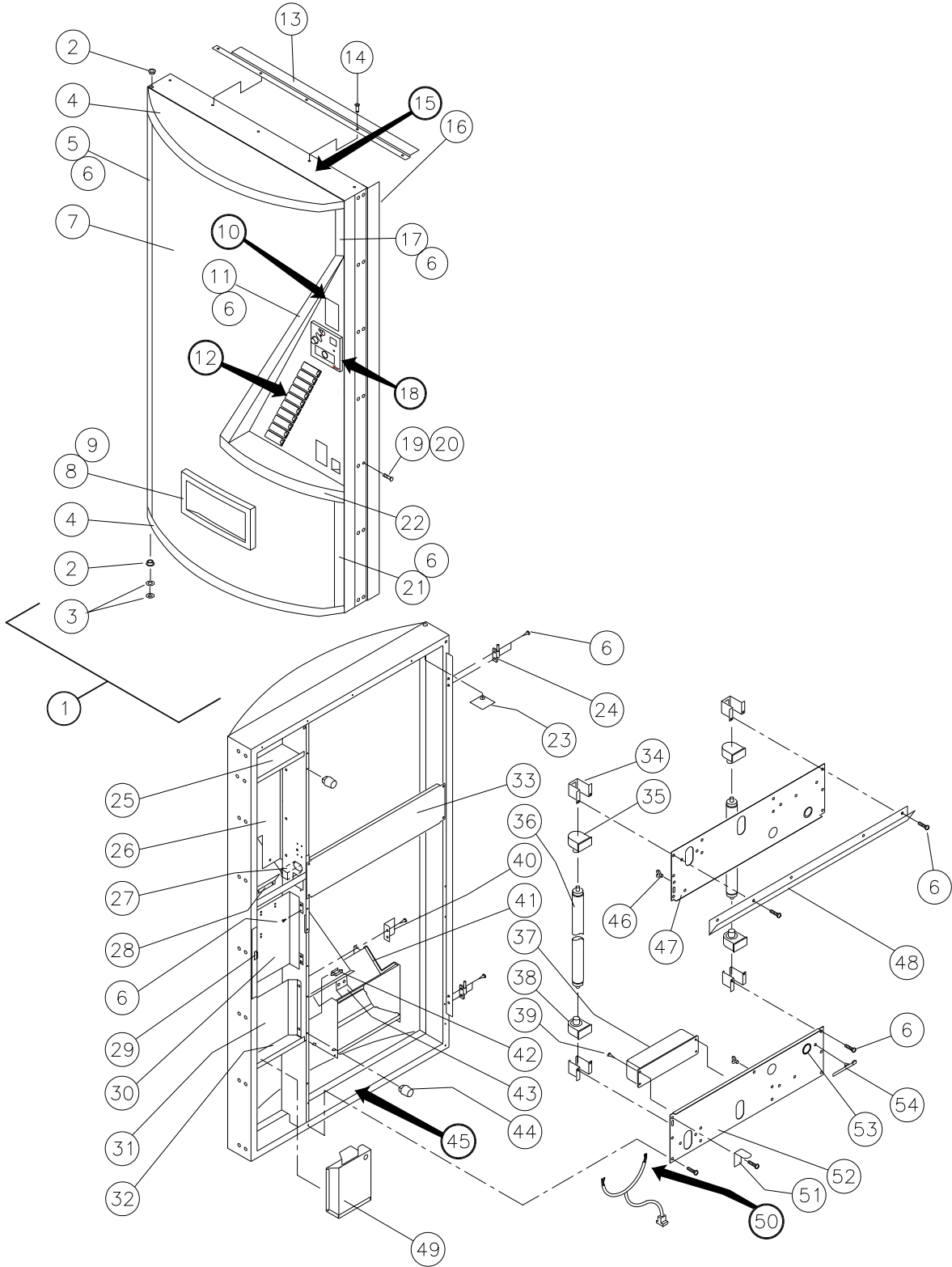




**“UNIVENDOR” DR PEPPER VANDAL-RESISTANT  
DIMENSION III OUTER DOOR**

ITEM NO.	MODEL NUMBERS		270 - 280	310 - 324	388 - 392 406	460 - 470 490
	DESCRIPTION	REQ.	PART NO.	PART NO.	PART NO.	PART NO.
*1	OUTER DOOR ASSEMBLY	1	~	~	~	~
2	BUSHING - DOOR HINGE	2	388094	388094	388094	388094
3	FLAT WASHER - 3/8	AR	V801491	V801491	V801491	V801491
4	SIGN CAP - TOP/BOTTOM	2	388122	388122	388121	388121
5	SIGN FRAME - LEFT	1	388125-4	388125-2	388125-2	388125
6	HH SELF-DRILL SCREW #10-16 x 1/2	AR	V801489	V801489	V801489	V801489
7	SIGN FACE - DR PEPPER	1	1056031-3	1056031-1	1056031-2	1056031
~	SIGN FACE - DIET DR PEPPER	1	1043714	1043714-1	1043714-3	1043714-4
8	EYELET TRIM	1	388271	388271	388271	388271
9	PH SELF TAP SCREW #8-10 x 1/2	AR	V801493	V801493	V801493	V801493
10	VALIDATOR PLUG - SEE PG. D-7	1	~	~	~	~
11	SIGN FRAME - CONTROL PANEL	1	388906-2	388906	388906	388906
12	SELECTION PANEL ASSEMBLY - SEE PG. D-7	1	~	~	~	~
13	DOOR RAIN GUARD - BLACK	1	133647-3	133647-3	133647-2	133647-2
14	RIVET	AR	V801471	V801471	V801471	V801471
*15	DOOR FRAME WELD - SEE PAGE D-1	1	~	~	~	~
16	DOOR GUARD	1	133433-17	133433-16	133433-16	133433-15
17	SIGN FRAME - UPPER RIGHT	1	388125-7	388125-7	388125-7	388125-8
18	GUIDE PLATE COIN INSERT SEE PG. D-7	1	~	~	~	~
19	CARRIAGE BOLT 1/4-20 x 3/4	AR	V801434	V801434	V801434	V801434
20	NUT/LOCKWASHER ASSY	AR	V800959	V800959	V800959	V800959
21	SIGN FRAME - LOWER RIGHT	1	388125-8	388125-6	388125-6	388125-6
22	MID CAP	1	388899	388899	388857	388857
23	BACKING PLATE	1	388443	388443	388443	388443
24	HINGE - INNER DOOR	2	388149	388149	388149	388149
25	BULKHEAD - UPPER	1	1041045	1041045	1041045	1041045
26	BARRIER PANEL - UPPER	1	1041037	1041037	1041037	1041037
27	CREDIT RELAY	1	353343	353343	353343	353343
28	PH TAP SCREW - #8-32 x 5/16	3	V800762	V800762	V800762	V800762
29	LATCH - COINAGE DOOR	1	1071686	1071686	1071686	1071686
30	COINAGE DOOR ASSEMBLY	1	133435	133435	133435	133435
31	BARRIER PANEL - LOWER	1	388244	388244	388244	388244
32	BULKHEAD - LOWER	1	388119	388119	388119	388119
33	SHEAR PANEL - MIDDLE	1	389834	389834	389834-1	389834-1
34	BRACKET - LAMP HOLDER	4	1016121	1016121	1016121	1016121
35	LAMP HOLDER - PLUNGER	2	388260	388260	388407	388407
36	FLUORESCENT LAMP	2	388320-2	388320-1	388408-1	388408
37	BALLAST - LAMP	1	388259	388259	388405	388405
38	LAMP HOLDER - FIXED	2	388261	388261	388406	388406
39	HH TAP SCREW #10 - 16 x 5/16	4	V801421	V801421	V801421	V801421
40	SUPPORT BRACKET	1	388852	388852	388852	388852

\*NOTE: WHEN ORDERING OUTER DOOR ASSEMBLY, PLEASE PROVIDE **9-CODE** AND **MANUFACTURER'S DATE CODE**.



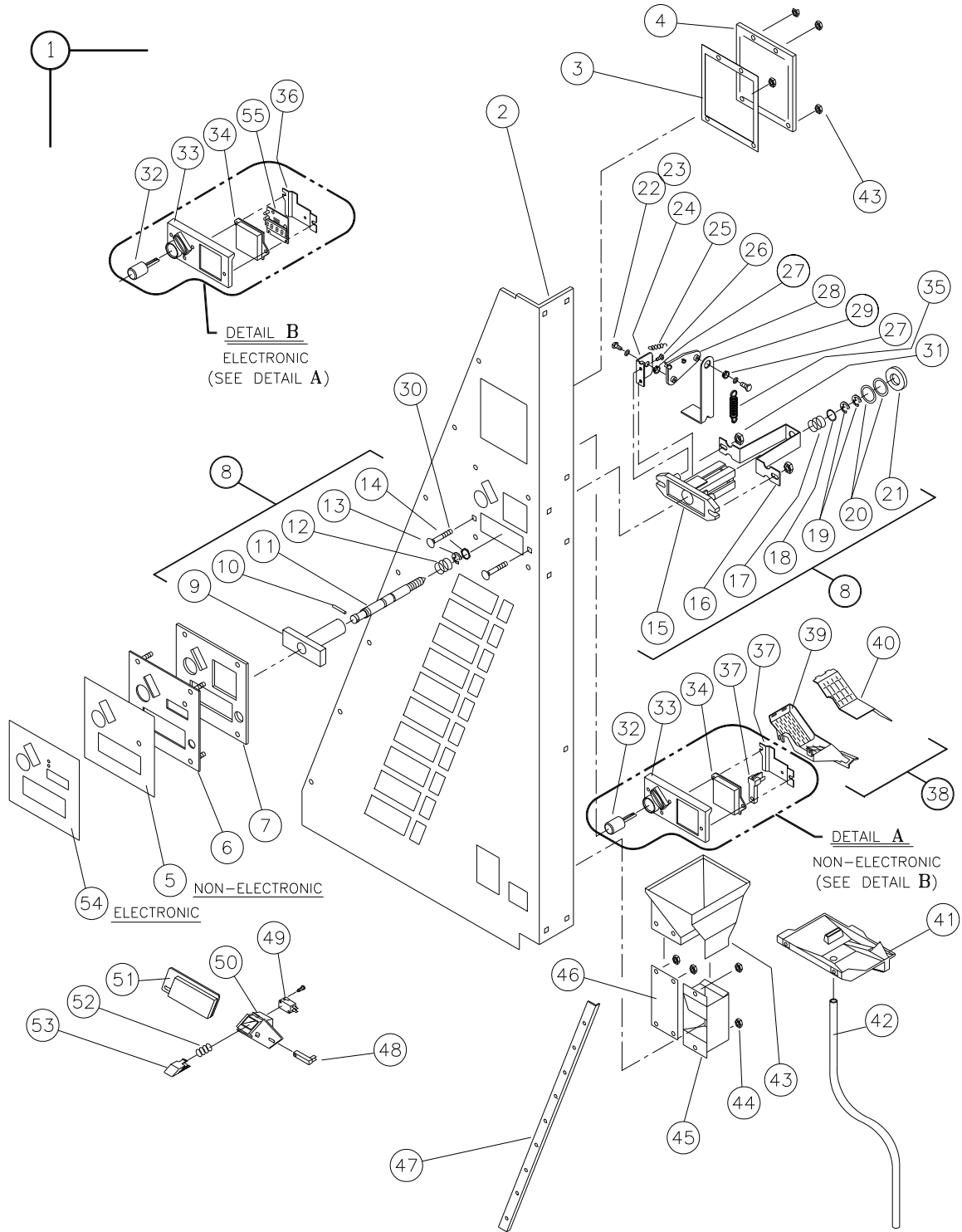
8.96



**“UNIVENDOR” DR PEPPER VANDAL-RESISTANT  
DIMENSION III OUTER DOOR (CONTINUED)**

41	DELIVERY HOPPER ASSEMBLY	1	133574-1	133574-1	133574-1	133574-1
42	CLAMP	AR	384692-2	384692-2	384692-2	384692-2
43	SUPPORT BRACKET - HOPPER	1	389090	388933	388933	388933
44	BUMPER - DOOR	2	1036912	1036912	1036912	1036912
45	DOOR HARNESS - SEE PG. A-5	1	~	~	~	~
46	HARNESS CLIP	3	384692	384692	384692	384692
47	SHEAR PANEL - UPPER	1	~	~	388117	388117
~	SAIL PANEL (NOT SHOWN)	2	388774	388774	~	~
48	RAIN GUTTER	1	388581	388581	388581-1	388581-1
49	COIN BOX	1	133563	133563	133563	133563
50	LIGHT HARNESS - SEE PG. A-5	1	~	~	~	~
51	RAMP/CATCH - INNER DOOR	1	1016962	1016962	1016962	1016962
52	SHEAR PANEL - LOWER	1	388118	388118	388117	388117
53	GROMMET	1	327021	327021	327021	327021
54	HARNESS TIE	2	388359-1	388359-1	388359-1	388359-1

NOTE: FOR LABELS AND DECALS - SEE PAGE A-7.



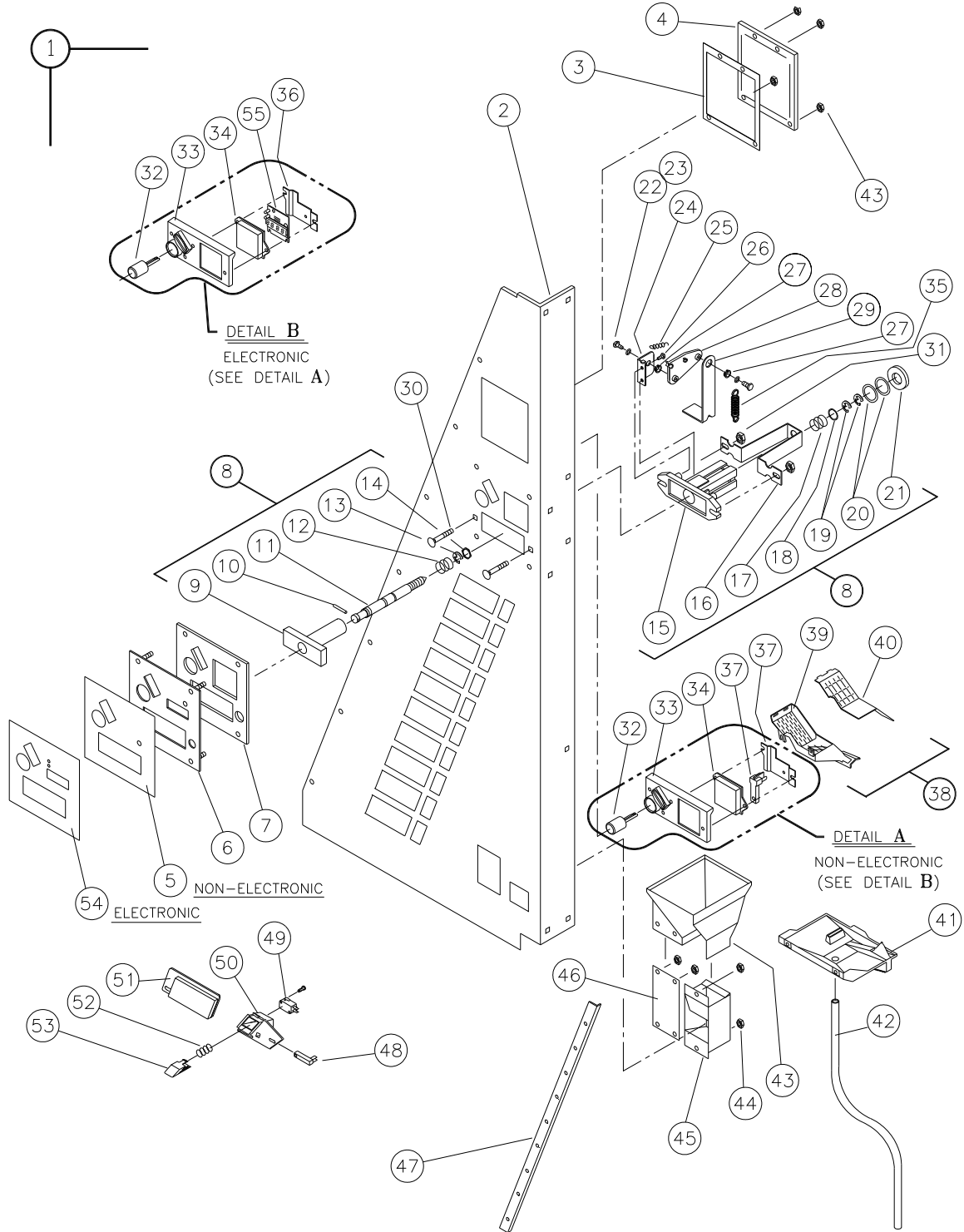


## UNIVENDOR™ DR PEPPER VANDAL-RESISTANT DIMENSION III SELECTION PANEL

ITEM NO.	MODEL NUMBER		270 - 280	310 - 324	388 - 392 406	460 - 470 490
	DESCRIPTION	REQ.	PART NO.	PART NO.	PART NO.	PART NO.
*1	SELECTION PANEL ASSEMBLY - 6 SEL.	1	~	~	~	~
~	SELECTION PANEL ASSEMBLY - 7 SEL.	1	~	~	~	~
~	SELECTION PANEL ASSEMBLY - 8 SEL.	1	~	~	~	~
~	SELECTION PANEL ASSEMBLY - 10 SEL.	1	~	~	~	~
*2	SELECTION PANEL - 6 SEL	1	~	~	~	~
~	SELECTION PANEL - 7 SEL.	1	~	~	~	~
~	SELECTION PANEL - 8 SEL.	1	~	~	~	~
~	SELECTION PANEL - 10 SEL.	1	~	~	~	~
3	VALIDATOR GASKET	1	388846	388846	388846	388846
4	VALIDATOR PLUG	1	133539-2	133539-2	133539-2	133539-2
5	DECAL COIN INSERT	1	1044907	1044907	1044907	1044907
6	COVER PLATE COIN INSERT	1	1044745	1044745	1044745	1044745
7	COIN INSERT PLATE	1	1044729	1044729	1044729	1044729
8	LOCK ASSEMBLY - QUICKER LOCK	1	1034146	1034146	1034146	1034146
9	T-HANDLE	1	1002392	1002392	1002392	1002392
10	PIN - STUD	1	387601	387601	387601	387601
11	LOCK STUD - QUICKER LOCK	1	1002406	1002406	1002406	1002406
12	SPRING	1	389691	389691	389691	389691
13	E-RING RETAINER	1	388589	388589	388589	388589
14	HEX WASHER	1	387600	387600	387600	387600
15	FLANGE	1	1002384	1002384	1002384	1002384
16	STRAP - LOCK SUPPORT	1	1027859	1027859	1027859	1027859
17	SPRING - HEAVY DUTY	1	389691	389691	389691	389691
18	FLAT WASHER	1	387718	387718	387718	387718
19	E-RING RETAINER	2	387719	387719	387719	387719
20	WASHER - 1/2"	2	V801023	V801023	V801023	V801023
21	VAPOR SEAL	1	388132	388132	388132	388132
22	PH TAP SCREW #8-10 x 1/2	2	V801493	V801493	V801493	V801493
23	WASHER #10	2	V801013	V801013	V801013	V801013
24	PIVOT BRACKET - COIN RETURN	1	1002252	1002252	1002252	1002252
25	SPRING	1	1045075	1045075	1045075	1045075
26	HH TAP SCREW #8-18 x 1/2	2	V801475	V801475	V801475	V801475
27	BUSHING	2	385603-4	385603-4	385603-4	385603-4
28	CRANK - COIN RETURN LEVER	1	1002244	1002244	1002244	1002244
29	LEVER - COIN RETURN	1	1052619	1052619	1052619	1052619
30	CARRIAGE BOLT 1/4 - 20 x 3/4	2	V801434	V801434	V801434	V801434
31	NUT/LOCK WASHER ASSY 1/4-20	2	V800959	V800959	V800959	V800959
32	BUTTON - COIN RETURN	1	1050473	1050473	1050473	1050473
33	GUIDE PLATE-COIN INSERT/RETURN	1	1050481	1050481	1050481	1050481
34	LENS - DISPLAY	1	1039652	1039652	1039652	1039652
35	SPRING	1	1060023	1060023	1060023	1060023

\*NOTE: WHEN ORDERING OUTER DOOR ASSEMBLY, PLEASE PROVIDE **9-CODE** AND **MANUFACTURER'S DATE CODE**.







**“UNIVENDOR” DR PEPPER VANDAL-RESISTANT  
DIMENSION III SELECTION PANEL (CONTINUED)**

36	LAMP - CORRECT CHANGE	1	383991	383991	383991	383991
37	PLATE - DISPLAY COVER	1	1002597	1002597	1002597	1002597
38	COIN CHUTE ASSEMBLY	1	1034154	1034154	1034154	1034154
39	COIN CHUTE	1	1002333	1002333	1002333	1002333
40	COVER - COIN CHUTE	1	1002341	1002341	1002341	1002341
41	TRAY - WATER COLLECTION	1	1002376	1002376	1002376	1002376
42	DRAIN TUBING	1	340061-5	340061-5	340061-5	340061-5
43	COIN CUP DROP	1	1034731	1034731	1034731	1034731
44	NUT/LOCK WASHER ASSY #8-32	AR	V800956	V800956	V800956	V800956
45	COIN RETURN CUP	1	1041088	1041088	1041088	1041088
46	PLUG - CROWN PULLER	1	1044737	1044737	1044737	1044737
47	BUTTON RETAINER	2	388868	388868	388868	388868
48	SOLD OUT LAMP	AR	383991	383991	383991	383991
49	SWITCH - SELECTION	AR	368299	368299	368299	368299
50	HOUSING - SELECTION BUTTON	AR	388829	388829	388829	388829
51	SELECTION WINDOW	AR	388832	388832	388832	388832
52	RETURN SPRING	AR	388858	388858	388858	388858
53	SELECTION BUTTON	AR	388845	388845	388845	388845
54	DECAL, COIN INSERT - ELECTRONIC	1	1044907-1	1044907-1	1044907-1	1044907-1
55	PCB DIGITAL DISPLAY	1	1002457	1002457	1002457	1002457