



Quality Refrigeration

CATALOG OF REPLACEMENT PARTS



G SERIES HOT FOOD CABINET

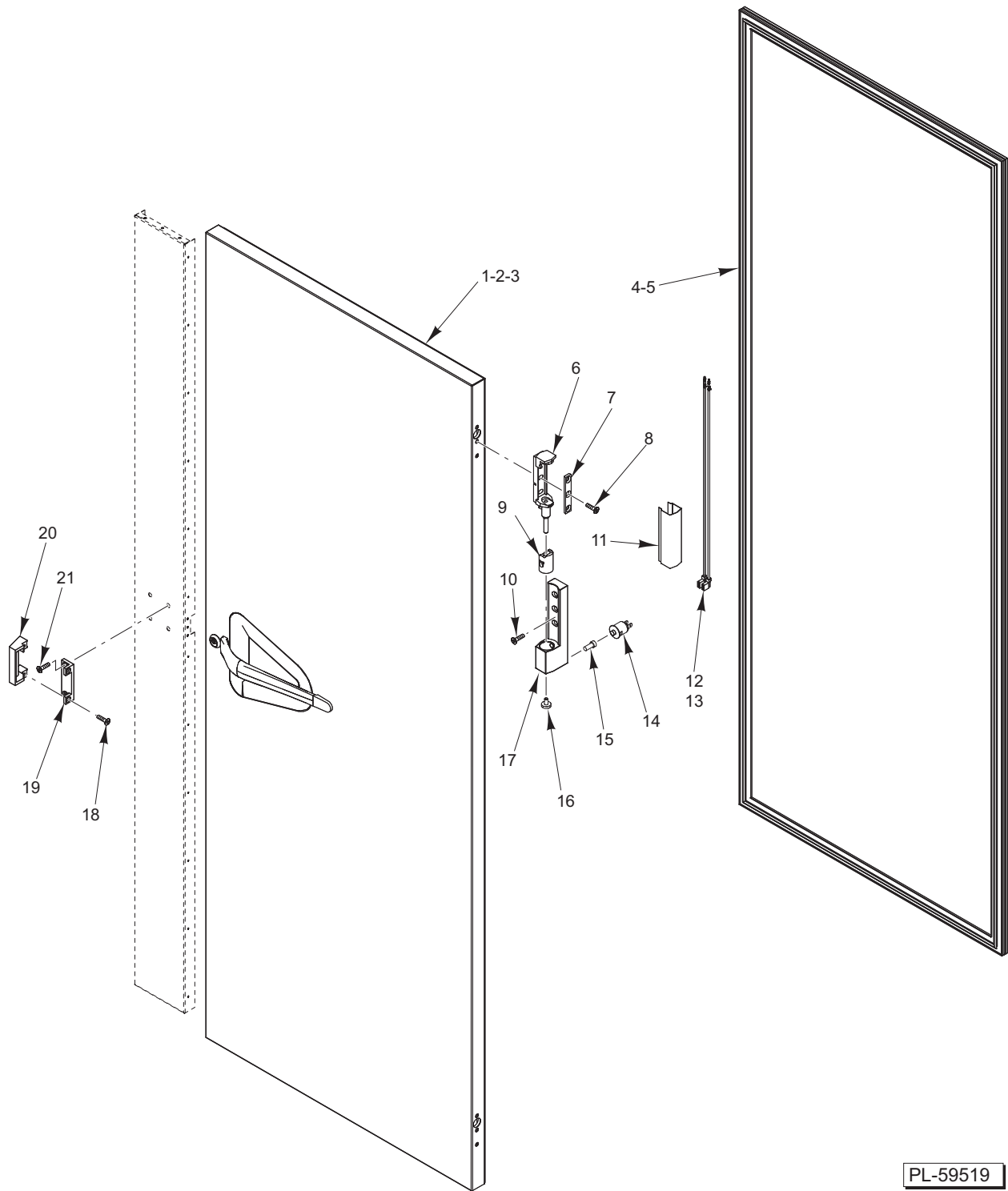
G143XX
G243XX

Note: The last two digits of the model number denote half height or full height doors and their hinging options.

4401 BLUE MOUND RD. • FT. WORTH, TX 76106 • 1-800-825-8220

TABLE OF CONTENTS

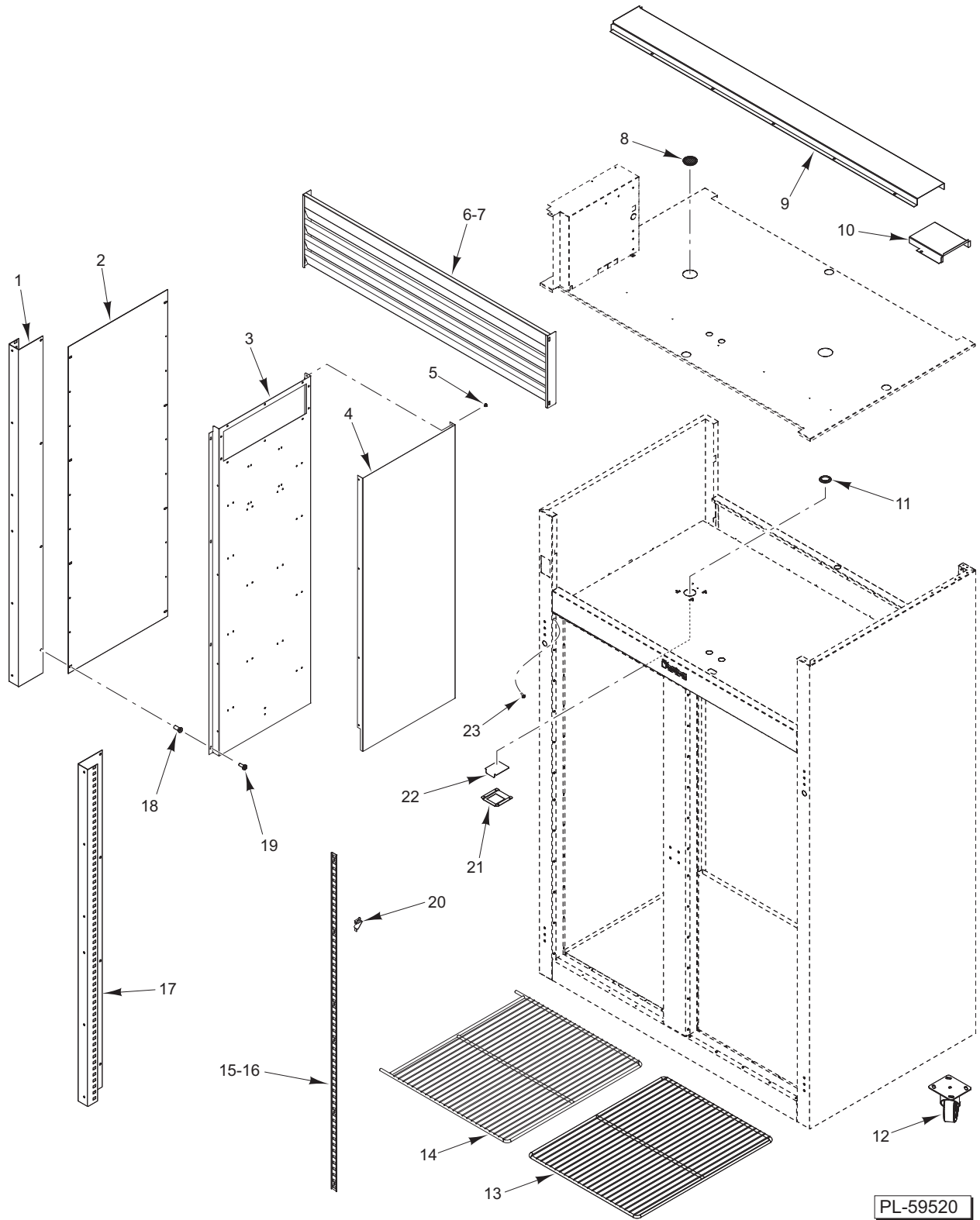
5	DOOR
7	PANELS AND RACKS
9	HEATER ELEMENT
11	ELECTRICAL COMPONENTS



DOOR

DOOR

ILLUS. PL-59519	PART NO.	NAME OF PART	AMT.
1	200-60142-01	Assy – Door (Incls. Item 4)	1
2	200-60140-02	Assy – Half Door Upper (Incls. Item 5)	1
3	200-60140-03	Assy – Half Door Lower (Incls. Item 5)	1
4	341-60083-00	Gasket – Full Door	1
5	341-60084-00	Gasket – Half Door	2
6	344-28487-00	Hinge – Door	2
7	344-28485-00	Plate	2
8	351-60002-06	Mach. Screw 10-32 x 3/4	6
9	344-28488-00	Hinge – Cam (White Nylon)	2
10	351-60002-07	Mach. Screw 10-32 x 3/4 Phil. Flat Hd.	6
11	344-28486-00	Cover – Hinge	2
12	333-60408-02	Harness – Light Switch (Full Height Door)	AR
13	333-60409-02	Harness – Light Switch (Half Height Door)	AR
14	337-28235-00	Switch – Door	AR
15	344-28484-00	Actuator	AR
16	344-28483-00	Screw – Safety	2
17	344-28482-00	Hinge – Upper	2
18	351-60002-01	Mach. Screw 10-32 x 1/2 Phil. Flat Hd. (SST)	AR
19	346-60019-00	Bracket	AR
20	346-60017-00	Lock Keeper	AR
21	351-60001-07	Mach. Screw 10-32 x 1/2 Phil. Flat Hd. (SST)	AR

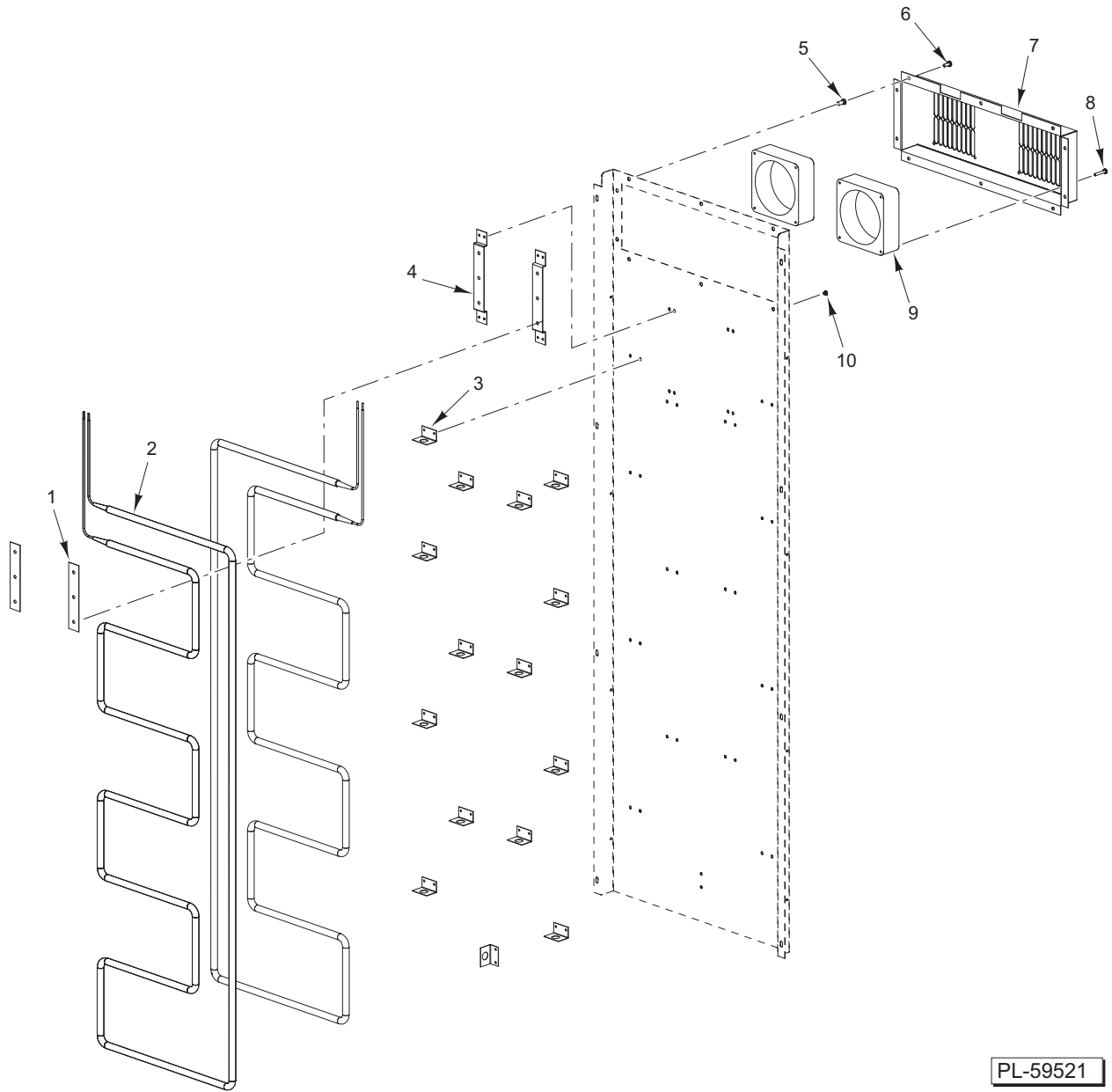


PL-59520

PANELS AND RACKS

PANELS AND RACKS

ILLUS.	PART NO.	NAME OF PART	AMT.
PL-59520			
1	342-60098-00	Pilaster – Rack Mount Mullion (Inner) (Front LH/Rear RH) (G2 Series).....	2
2	614-60188-00	Back – Heater Duct (G2 Series).....	2
3	614-60048-00	Duct – Down (Hot Food).....	AR
4	614-60043-00	Baffle – Air.....	AR
5	358-10000-00	Rivet.....	AR
6	500-70002-00	Louver – Front (G1 Series).....	1
7	500-70008-00	Louver – Front (G2 Series).....	1
8	344-60184-00	Vent – Aluminum 2 In. (Hot Food).....	AR
9	701-60985-00	Chase – Electrical (G2 Series).....	1
10	701-60192-00	Chase – Electrical (G2 Series).....	1
11	353-60033-00	Plug – Screened (Interior Vent) (Hot Food).....	AR
12	CK1	Kit – Casters 6 In. (With Lock) (Set of Four).....	1
13	340-26000-00	Shelf – Wire 24 ¹ / ₂ In. x 26 ³ / ₈ In. (Chrome) (G1 Series).....	AR
14	340-05340-00	Shelf – Wire 20 ³ / ₄ In. x 25 ⁷ / ₈ In. (Chrome) (G2 Series).....	AR
15	342-60025-00	Pilaster – Rack Mount (G1 Series).....	4
16	342-60030-00	Pilaster – Rack Mount (Outer) (G2 Series).....	4
17	342-60097-00	Pilaster – Rack Mount Mullion (Inner) (Front RH/Rear LH) (G2 Series).....	2
18	356-12954-00	Rivnut 10-32 (Closed End).....	8
19	351-60001-00	Mach. Screw ¹ / ₄ -20 x ³ / ₄ Phil. Pan Hd.	8
20	344-08982-00	Clip – Shelf.....	AR
21	601-61183-00	Plate – Interior Vent (Hot Food).....	AR
22	601-61175-01	Cover – Interior Vent (Hot Food).....	AR
23	351-29384-00	Self-Tapping Screw #4 x ⁷ / ₁₆ Phil. Oval Hd.....	AR

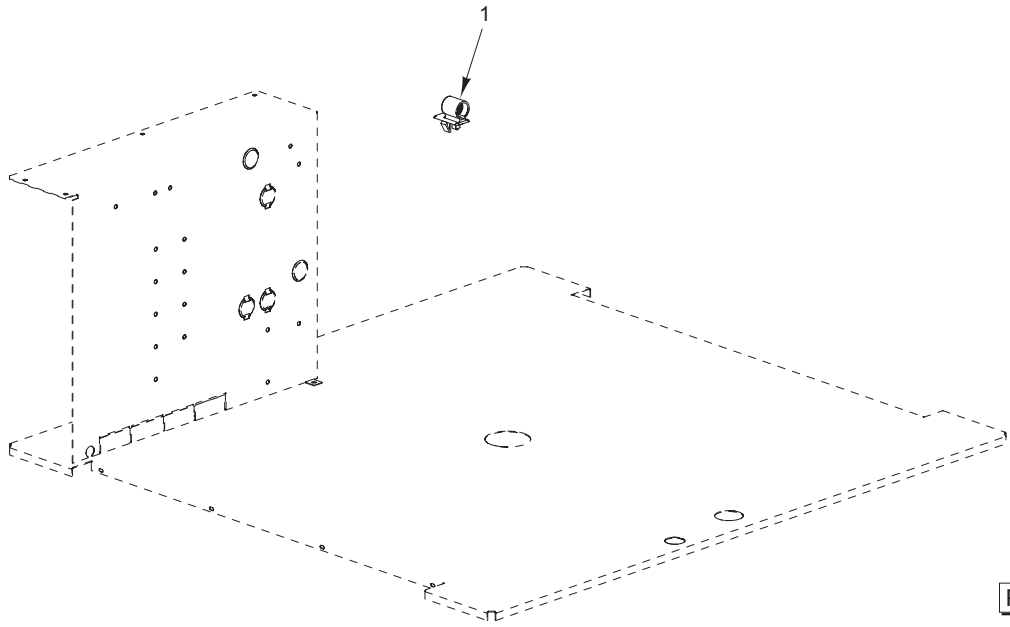


PL-59521

HEATER ELEMENT

HEATER ELEMENT

ILLUS.	PART NO.	NAME OF PART	AMT.
PL-59521			
1	614-60058-00	Bracket – Bonding	2
2	329-60056-00	Element – Heater (240 V., 2000 W.)	2
3	614-60046-00	Bracket – Heater Mount	15
4	614-60057-00	Bracket – Bonding	2
5	356-12954-00	Rivnut 10-32 (Closed End)	10
6	351-60001-00	Mach. Screw 1/4-20 x 3/4 Phil. Pan Hd.	10
7	614-60042-00	Panel – Fan Mount	1
8	351-60001-06	Mach. Screw 8-32 x 1 Phil. Pan Hd.	8
9	338-60030-00	Motor – Fan (115 V., 90 Deg.) (Blade Not Shown)	2
10	358-10000-00	Rivet – Pop 1/8	30



ELECTRICAL COMPONENTS

ELECTRICAL COMPONENTS

ILLUS. PL-59522	PART NO.	NAME OF PART	AMT.
1	333-60241-00	Lampholder.....	1
	333-60250-00	Harness (MIT II To Relay Module).....	1
	337-60070-00	Horn.....	1
	337-60317-00	Relay – Module (MIT II) (110 VAC).....	1
	337-60320-00	Head – Control (MIT II) (Hot Food).....	1
	337-60360-01	Relay – Hybrid (With Surge Damper).....	1
	377-60038-00	Clip – Mounting (Intela-Traul).....	2
	337-31075-00	Fuse – Thermal (G5AP0200128C).....	1
	337-60405-02	Sensor – Cabinet Temperature (74 In.) (Green).....	1
	337-40739-00	Bulb – Shatterproof (130 V., 25 W.).....	1

