



WE **THANK YOU** FOR YOUR PURCHASE OF OUR **PREP SAVER**™ SERIES
MODEL 6512 SLICER.

*All of us . . .
at Univex!*

univex

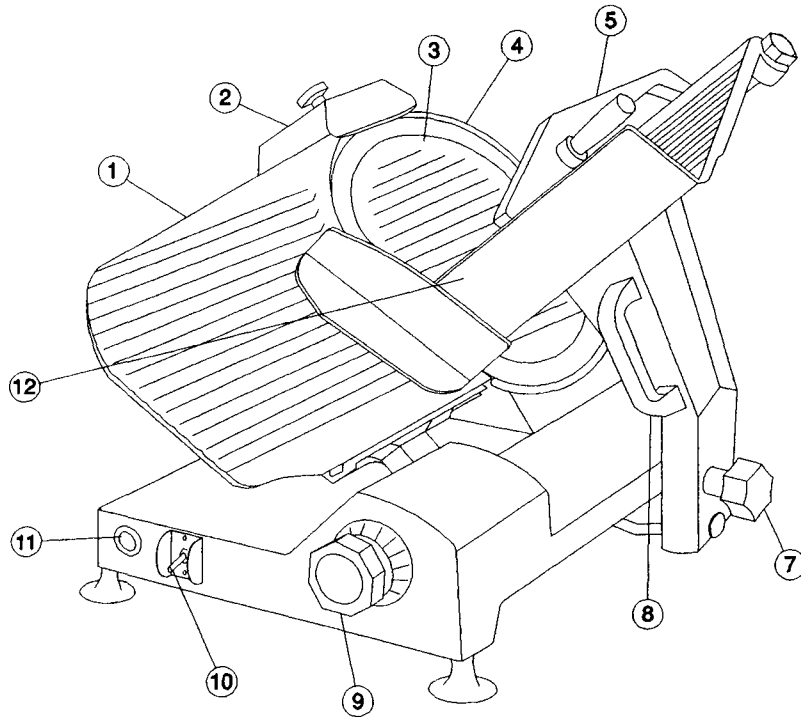
TABLE OF CONTENTS

DESCRIPTION	PAGE
Table of Contents	1
List of Illustrations	1
Introduction	3
Installation Instruction	3
Safety Warnings	3
Operating Instructions	4-5
Sharpening Instructions	4-5
Operator's Care of Slicer - Cleaning & Lubrication	5-6
Mechanic's Maintenance	8
Trouble Shooting Guide	9
Repair Instructions including Disassembly, Replacement, and Reassembly	10- 12
Replacement Parts Lists Keyed to Figure Drawings	13- 19
Wiring Diagram	20
Warranty Information	Back Cover

LIST OF ILLUSTRATIONS

ILLUSTRATION	PAGE
Figure 1 Overall View of Meat Slicer Model 6512	2
Figure 2 Lubrication Diagram and Instructions	7
Figure 3 Knife, Pulley, and Motor Assembly	13 - 14
Figure 4 Fence, Fence Adjustment, Carnage, Carnage Ann, Carriage Arm Support, and Feed Grip Assembly	15 -17
Figure 5 Sharpener assembly	18
Figure 6 Base and Slice Adjustment Knob Assembly	19
Figure 7 Wiring Diagram 115V, 60 HZ, 1 PH	20

OVERALL VIEW OF MEAT SLICER
 MODEL 6512
 FIGURE 1



- | | |
|-----------------------------|-------------------------------------|
| 1 FENCE | 8 CARRIAGE ARM |
| 2 KNIFE SHARPENER | 9 GRADUATED KNOB |
| 3 KNIFE GUARD | 10 ON-OFF SWITCH |
| 4 PROTECTIVE GUARD | 11 INDICATOR LIGHT |
| 5 LAST SLICE DEVICE | 12 CARRIAGE |
| 6 ELECTRIC CORD (NOT SHOWN) | 13 SERIAL NAME PLATE
(NOT SHOWN) |
| 7 CARRIAGE ARM KNOB | |

INSTRUCTION MANUAL

INTRODUCTION

This manual contains instructions for the Installation, Operation, Care, Maintenance and Repair of the Meat Slicing Machine. Disassembly, Repair, Replacement and Reassembly Instructions are included. A trouble shooting guide is provided. A complete Replacement Parts List with identifying figures is also included to facilitate identification and ordering of replacement parts.

INSTALLATION INSTRUCTIONS

INSPECTION

All Univex slicers are inspected and tested at the factory; however, they should be reinspected carefully by the person making the installation for loose, damaged or broken parts. Detached parts and fixtures should be checked against packing list to determine all are present. Any damages, imperfections or shortages should be reported to the dealer or Univex and shipping carrier.

Warning: After slicer has been inspected, wash slicer completely with warm water and mild soap. For SAFETY, follow the cleaning instructions on Page 5.

INSTALLATION

The most efficient installation of your Univex slicer will depend upon the layout of your kitchen. Locate your slicer where it will save steps for the operator and be sure to provide sufficient clearance around it for ease of maintenance and cleaning, as well as for efficient and safe use.

Slicer should be operated on a sturdy bench or table with the height determined to suit the operator. It is most important that the forearm of the operator be at the proper level for ease and safety of operation, as well as for maximum production. This height is considered optimum when the carriage handle (Figure 1 [8]) of the slicer is at approximately the height of the operator's elbow when standing.

IMPORTANT

Warning/ Caution: Electrical wiring instructions are found in the wiring diagram (Figure 7) Before making electrical connections, CHECK the specifications on the nameplate to make sure that they agree with those on your electrical service. A grounding type three-terminal plug is provided for safety. If you do not have a mating receptacle, have a qualified electrician provide one with grounding provisions in accordance with local safety codes.

IMPORTANT SAFETY WARNINGS

Warning: The slicer knife is extremely sharp! Never touch the knife, always keep hands and fingers clear of the knife. Never run slicer without the guard and all other parts in place and securely fastened. Take extra care to avoid accidents by keeping the knife guard and sharpening assembly cover ON at all times. When the machine is not in use, the slice adjustment knob should be turned fully back to the closed position (beyond "0") so that the knife edge is not exposed.

Observe the cleaning instruction on Page 5 for best results and for safety. Also remember to always turn off the slicer and disconnect the electrical supply cord before cleaning.

When slicing, always work the carriage using only the carriage arm handle (Figure 1 [8]). Do not hold or push the carriage from any other place.

OPERATION INSTRUCTIONS

The Univex slicer is designed to meet the cook's demand for an efficient, sturdy slicer. The Univex slicer will give unflinching performance over a period of years, when operated and maintained according to instructions contained herein.

START/STOP SWITCH

The slicer is started by toggling the ON/OFF switch (Figure 1 [10]) to the ON position. A pilot light (Figure 1 [11]) is provided to indicate when the slicer is turned on.

SLICE ADJUSTMENT

Warning: Dial-type knob adjustment (Figure 1 [9]) allows for slice thicknesses ranging from paper thin up to 9/16". Dial graduations allow you to precisely set up specific slice thicknesses for various needs. When not in use, always return knob back to its fully closed position (beyond "0") so that the knife edge is not exposed.

POSITIVE HOLD CARRIAGE

Caution: A last slice gravity feed grip (Figure 1 [5]) is provided. Do not use this last slice device to work the carriage back and forth. Use only the carriage arm handle (Figure I [8]). Always make sure the carriage is positively secured to the slicer by checking to see that the carriage arm knob (Figure 1 [7]) is fully tightened. Failure to do this could result in the carriage striking and damaging the knife edge.

PROTECTIVE GUARD

Warning: The protective guard (Figure 1 [4]) covers the knife edge completely except under the sharpener cover and the forward edge where slicing will be performed. This forward edge is covered by the edge of the fence, but only when the slice adjustment is completely closed.

The knife guard (Figure 1 [3]) can be removed for cleaning by unscrewing the knife guard knob (Figure 3 [31]). For safety, keep the knife guard on at all times except when cleaning. Never operate the slicer with the knife guard removed.

SHARPENING INSTRUCTIONS

This slicer is equipped with a knife having a concave or hollowed surface for superior slicing quality. Of course, any knife, however superior, must be sharpened regularly and properly in order to produce not only the highest quality slices, but also to allow it to maintain its productivity. The knife sharpener (Figure 1 [2]) on this machine is a top mounted built-in mechanism, designed for simplicity and ease of use.

Warning: The following sharpening procedure will provide high quality sharpening results and should also be followed for safety considerations:

1. **Warning:** Keep away from the knife edge.
2. Completely close the slice adjustment (beyond "0") so that the knife edge is not

3. The knife cutting area should be clean and free from food, especially grease. Grease will ruin the ability of a grinding stone to sharpen an edge. The stone simply will not cut. If cleaning is necessary, follow the procedure outlined on Page 5.
4. Loosen sharpener knob assembly (Figure 5 [28]) which bears against sharpener post, then lift sharpener assembly (Figure 1 [2]) and rotate it 1/2 turn (180°). Then force it down over the knife.
5. Tighten sharpener knob assembly (Figure 5 [28]). As the knob assembly is tightened, it bears on the sharpener post and automatically aligns the grinding and deburring stones to the precise orientations which are preset at our factory.
6. Turn slicer ON. Depress the sharpener button on the back side of blade and hold in, which will start the grinding wheel rotating. Run until the beveled cutting surface cleans up. This can take from 30 seconds to several minutes depending on how dull the blade was allowed to become. Release sharpener button.
7. Turn slicer OFF and check for the formation of a very slight burr on the side of knife opposite the bevel which indicates complete grinding of the bevel. This slight burr can be detected either visually or by picking with a small piece of stiff paper.
8. Turn slicer ON. Lightly press deburring (honing) button on the front side of blade and hold for 1 to 2 seconds while you turn OFF the slicer. Blade should now be completely sharpened and honed.

Caution: It is important for best slicing results not to deburr the knife too long or the keen edge will be destroyed due to the formation of an undesirable second bevel on the opposite side. This condition tends to be the primary cause of unsatisfactory slicing results.

9. Turn slicer OFF. Loosen knob assembly, (Figure 5 [28]) then lift and return sharpener to its storage position. Tighten knob assembly.
10. Clean slicer and knife according to the cleaning procedure on Page 5 in order to thoroughly remove grinding debris.

OPERATORS CARE OF SLICER

CLEANING

- Warning:** 1. Never touch the knife edge. Always keep your hands, fingers and arms clear of knife.
- Warning:** 2. Turn off slicer and DISCONNECT ELECTRICAL CORD before cleaning. Leave protective guard (Fig. 1 [4]) in place.
3. Turn slice adjustment knob (Figure 1 [9]) to the fully closed position (beyond "0") so that the knife edge is not exposed.
- Caution:** 4. Remove carriage assembly (Figure 1 [5, 8, 12]) by loosening carriage knob (Figure 1 [7]) and lifting off. Carriage may be washed in a sink. Use care in washing the sharply pointed prongs on the last slice device, (Figure 1 [5]). Wash this area thoroughly. A small bristle brush is recommended. Use only warm water and mild soap. Rinse carriage assembly with warm

Never use detergents or wash the slicer or any of its parts in a dishwashing machine or the clear protective finish will be damaged.

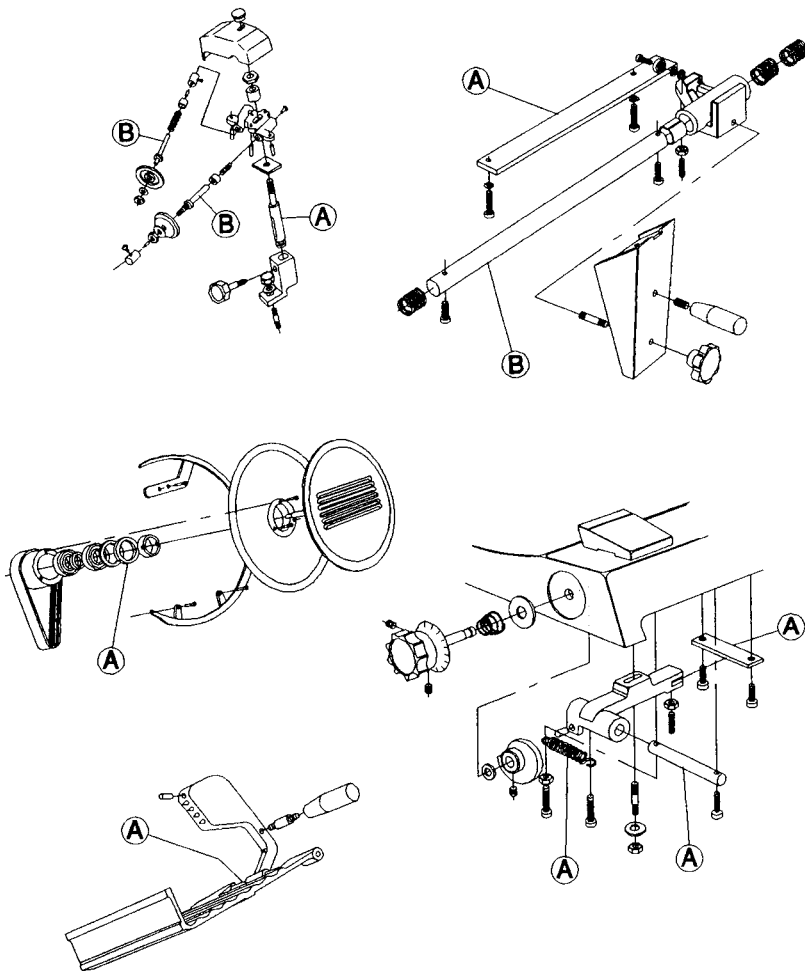
- Warning:** 5. Wash body of slicer using warm water and mild soap using a clean soft cloth. Under no circumstances should the slicer be hose rinsed. It is recommended that the cloth be folded over a thin wooden stick when cleaning between the fence and the knife.
6. Remove knife guard (Figure 1 [3]) by loosening knife guard knob (Figure 3 [31]) and pushing the long stud upward to lift knife guard above surface of knife. Then carefully lift and remove guard.
7. Remove Knife deflector (Fig 4 [9]) by unscrewing (Fig 4 [10]).
- Warning:** 8. CAREFULLY wash the front and rear of the knife with a cloth using warm water and mild soap. It is recommended that the cloth be folded over a thin wooden stick as a further caution to avoid accidental contact with the knife edge. CAREFULLY wash between the knife edge and protective guard (Figure 1 [4]) using a soft cloth inserted between knife edge and guard on both front and rear of knife using extreme caution to never touch the knife edge. Rinse with warm water applied with a cloth. Dry thoroughly with a clean soft cloth.
- Caution:** 9. Following cleaning, a commercial non-toxic sanitizer may be wiped on the clean surfaces with a soft clean cloth or sprayed as recommended on the container labeling. It is important that the sanitizer be compatible with anodized aluminum or the clear protective finish on the slicer will be damaged. Surface should be wetted completely, but not to the point of running or puddling.
- Warning:** 10. Replace the knife guard. Never leave the slicer without its knife guard installed!
11. Replace Knife deflector.

LUBRICATION & FUNCTION CHECK

Warning: Turn off slicer and DISCONNECT ELECTRICAL CORD before lubricating. Leave protective guard (Fig. 1 [4]) in place.

General lubrication should be performed in accordance with the lubrication instructions in Fig. 2. During this lubrication sequence, be sure to check for free operation and movement of related parts as well as for excessive wear and looseness of various parts. Be sure to check all handles and knobs for tightness.

LUBRICATION
FIGURE 2



A - Apply Petro-Gel (4400408) often as required to maintain light film.

B - Clean and apply mineral oil weekly.

MECHANICS MAINTENANCE

Every year a mechanic or service technician should perform the following inspection and carry out the respective maintenance as required:

Warning: FOR SAFETY, TURN OFF SLICER AND DISCONNECT ELECTRICAL CORD.

1. **BELT DRIVE**- This drive features a multi-ribbed high performance belt for long trouble-free service. Inspect belt for proper tension. If glazed or excessively worn, replace. A tensioning device automatically allows for normal belt wear-in and stretching. However, if additional tension is required, it may be obtained by turning adjustment nuts (Fig. 3 [21]) clockwise on take-up rod (Fig. 3 [26]) which will further compress the tensioning spring. As a guideline, the compressed length of the spring should be approximately 7/8".
2. **CARRIAGE** - Check for free smooth operation of last slice device and for smooth travel of carriage arm (Fig. 4 [23]). Check for excess backlash between slide bearing (Fig. 4 [50]) and carriage slide (Fig. 4 [55]). The correct lash (clearance) required for smooth carriage operation is obtained when a very slight lash or movement can be detected. Too much lash can result in the carriage striking and damaging the knife edge. Too little lash results in binding and a loss of smoothness in carriage travel. Lash is adjusted by loosening locknut (Fig. 4 [47]) and turning nylon tipped stud (Fig. 4 [48]) clockwise to reduce lash and counterclockwise to increase lash. Tighten locknut while holding nylon tipped stud stationary with a screwdriver so it does not move. Grease only the side of the carriage slide (Fig. 4 [55]) on which this nylon tipped stud screw slides. General guidelines: tighten screw until snug and then loosen 1/8 turn and tighten locknut as described above
3. **LUBRICATION & FUNCTION CHECK** - General lubrication should be performed in accordance with the lubrication instructions in Fig. 2. During this lubrication sequence, be sure to check for free operation and movement of related parts as well as for excessive wear and looseness of various parts. Be sure to check all handles and knobs for tightness.
4. **KNIFE** - Check knife edge to see that it has been properly sharpened. If there is any evidence of incorrect sharpening procedure, such as excessive honing, alert owner and operator.

TROUBLESHOOTING GUIDE 6512

TROUBLE	POSSIBLE CAUSE	REMEDY
1. Slicer will not operate.	1.1 Electrical service down. 1.2 Burned switch contacts. 1.3 Motor capacitor defective. 1.4 Burned out motor.	1.1 Check electrical service. Replace fuse or reset circuit breaker as necessary. 1.2 Replace switch. 1.3 Replace 1.4 Remove, test, repair or replace.
2. Motor straining but will not turn (humming sound).	2.1 Belt tension too tight.	2.1 Readjust belt tension. NOTE: Often after a long period of no use, such as in storage, the belt flows and takes a set in the pulley ribs. A slight urging of the knife with a wooden stick will get the slicer turning with no farther problems. Do not use hands to turn the knife.
3. Slippage of knife during slicing.	3.1 Loose belt. 3.2 Grease or oil on belt.	3.1 Tighten belt tension. 3.2 Clean pulleys with safety approved cleaning solvent on soft clean rag. Replace belt.
4. Motor stalls during slicing.	4.1 Knife cutting edge dull or improperly sharpened 4.2 Product such as cheese old and dried out. 4.3 Low voltage service 4.4 Belt tension excessive.	4.1 Sharpen using the procedure specified. Use care not to use honing stone longer than the 1 to 2 seconds. 4.2 Reduce thickness of slice. 4.3 Have electrician check service voltage. 4.4 Readjust belt tension.
5. Excessive noise.	5.1 Knife contacting the knife guard. 5.2 Badly worn or frayed drive belt. 5.3 Motor pulley and belt misaligned. 5.4 Loose set screw in motor pulley. 5.5 Knife contacting deflector. 5.6 Knife contacting sharpener. 5.7 Carriage contacting fence or knife.	5.1 Tighten knob which secures guard. 5.2 Replace belt. 5.3 Realign motor pulley. 5.4 Tighten set screw. 5.5 Adjust deflector. 5.6 Adjust sharpener. 5.7 Tighten knob which secures carriage.
6. Smearing or tearing when slicing soft cheese.	6.1 Soft cheese is at room temperature. 6.2 Knife dirty with hard dried-on product.	6.1 Chill soft cheese for best slicing results. 6.2 Clean knife thoroughly.

REPAIR INSTRUCTIONS

Including disassembly, replacement, and reassembly.

Warning: Always turn off slicer and disconnect electrical cord before doing any maintenance or repair on the slicer. Keep guards on at all times. Keep slice adjustment fully closed so knife edge is not exposed. Keep sharpener assembly also in place so top of knife edge is not exposed.

KNIFE REPLACEMENT (Figure 3)

1. **Warning:** Disconnect electrical power cord.
2. Remove carriage assembly (Figure 1 [8, 12])
3. Loosen sharpener knob assembly (Figure 5 [4]), then lift and remove sharpening unit. Set aside.
4. Remove knife guard knob (Figure 3 [31]) and carefully remove knife guard (Figure 3 [10]).
5. **Warning::** Using caution to avoid the sharp knife edge, remove the four screws (Figure 3 [11]) that secure knife (Figure 3 [12]).
6. Carefully remove knife and set aside with its flat side down flush on a bench so the edge is not exposed.
7. Reinstall new knife in the reverse procedures outlined above.
8. Even though a new knife is very sharp, the sharpening procedure specified on pages 4 and 5 should be performed to true the new knife's bevel to the slicer.

Warning: Worn knife should be disposed of in a safe responsible way, showing concern for others who may handle it. It is recommended that the edge of the knife be wrapped several times with heavy tape and that a caution (CAUTION: SHARP EDGE) be written on both sides of the knife.

KNIFE SEAL

1. **Warning:** Disconnect electrical power cord.
2. Remove knife per knife replacement instructions 1 through 6.
3. Remove pulley insert (Figure 3 [8]) by unscrewing. Retain shim washers if any.
4. Using a small screwdriver, carefully pry and remove the knife seal (Figure 3 [7]) from the knife pulley (Figure 3 [6]).
5. Apply light film of Petro-Gel on outer diameter and lip of rubber seal.
6. Clean recess in pulley.
7. Drive seal into recess in pulley using care to avoid damage to seal. Seal should be seated uniformly against recess shoulder.
8. Check pulley insert (Figure 3 [8]) for small sharp burrs that may have been raised during its removal. Remove burrs if present with a fine toothed file. If burrs are not removed, they will destroy the seal very quickly.

6512

9. Reinstall pulley insert and shims that may have been present. Apply liberal coating of Petro-Gel to the seal/insert interface.
10. Reinstall knife, knife guard and sharpener in the reverse procedure outlined above.

SHARPENING STONES

1. **Warning:** Disconnect electrical cord.
2. Unscrew sharpener knob assembly (Figure 5 [28]).
3. Lift up sharpening assembly (Figure 1 [2]) and remove from slicer.
4. Using an open end wrench, unscrew cover knob (Figure 5 [1]). It is recommended that a piece of tape or paper be temporarily wrapped around knob prior to unscrewing it so as to protect its finish. Remove cover (Figure 5 [2]) off of mount assembly.
5. Unscrew nut (Figure 5 [19]) and remove along with washer and sharpening stone (Figure 5 [21]).
6. Install new sharpening stone. Hollowed side should be toward the outside.
7. Honing (deburring) stone (Figure 5 [12]) is removed by first unscrewing lock screw (Figure 5[17]) from button (Figure 5 [16]).
8. Gently remove button taking care to not lose the small ball bearing and spring (Figure 5 [14 & 15]) which are inside.
9. Unscrew nut (Figure 5 [13]) and remove along with washer and honing stone (Figure 5 [12]).
10. Install new honing stone with the hollowed side toward the inside.
11. Reattach cover and reinstall in the reverse procedures (4. through 1.).

DRIVE BELT REPLACEMENT

1. Warning: Disconnect electrical power cord.
2. Remove knife per knife replacement instructions. Remove the 7 screws (Figure 3 [14]) and belt guard (Figure 3 [15]).
3. Remove four rubber suction feet (Figure 6 [13]) that secure bottom cover (Figure 6 [12]) to slicer. Remove cover.
4. Remove nuts (Figure 3 [21]) from motor adjustment rod (Figure 3 [26]) so motor can be pivoted to give belt slack. Be careful not to lose tensioning spring (Figure 3 [19]).
5. Remove motor pivot bolt (Figure 3 [28]).
6. Unwrap belt from motor pulley shaft.
7. Unwrap and remove drive belt from the knife pulley (Figure 3 [6]).

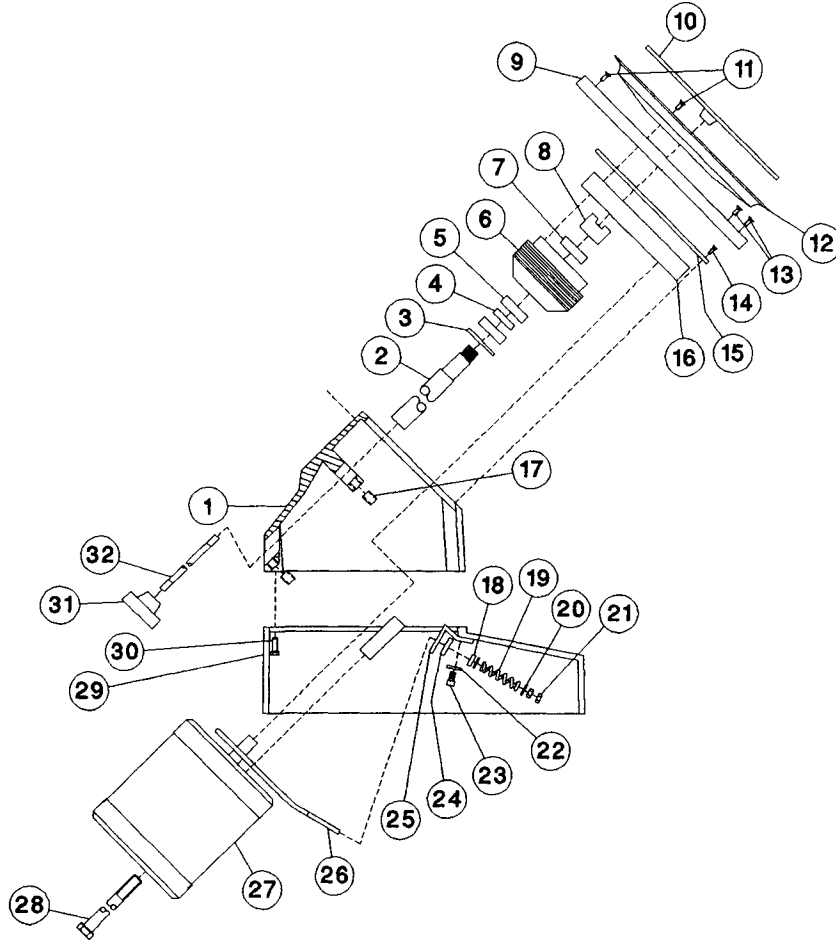
6512

9. Install replacement belt on knife pulley and on motor pulley shaft. **DO NOT** reinstall knife at this time.
10. Reinstall motor pivot bolt.
11. Reinstall spring and nuts on motor adjustment rod (Figure 3 [26]) and tighten. It is important to make sure that the belt is aligned on both pulleys.
12. Belt tension is correct when the spring is compressed to an overall length of 7/8".
13. Connect electrical power cord and operate slicer to check that belt and pulley are running true.
14. Turn off slicer and disconnect electrical power cord.
15. Reinstall bottom cover and secure with the four suction feet.
16. Reinstall belt guard with 7 screws.
17. Using caution, reinstall knife and secure with four screws.
18. Reinstall knife guard and secure with knife guard knob.
19. Reinstall sharpener and secure with knob assembly.

**KNIFE, PULLEY AND MOTOR ASSEMBLIES
FIGURE 3**

ILLUS. NO.	PART NO.	DESCRIPTION	QTY.
1	6512020	HOUSING, TOP	1
		PULLEY ASSEMBLY INCLUDES NO. 2 THRU 8	
2	6512021	SHAFT, PULLEY	1
3	6512043	SNAP RING, PULLEY	1
4	6512022	SPACER, PULLEY	1
5	6512044	BEARING, PULLEY	2
6	6512023	PULLEY	1
7	6512045	SEAL, PULLEY	1
8	6512024	INSERT, PULLEY	1
9	6512025	GUARD, PROTECTIVE	1
10	6512026	GUARD, KNIFE	1
11	6509014	SCREW, M5-0.8 X 10 FLAT HD SLOTTED	5
12	8512228	BLADE	1
13	1204003	SCREW, M5-0.8 X 20 FLAT HD SLOTTED	2
14	8512229	SCREW, FLAT HD PHIL	7
15	6512027	GUARD, BELT	1
16	6512055	BELT	1
17	6509005	SET SCREW, M8-1.25 X 10 CUP POINT	2
18	6509103	COLLAR, MOTOR ADJ.	1
19	6509104	SPRING, MOTOR ADJ.	1
20	1200076	WASHER, NO. 10 FLAT	2
21	1200060	NUT, 10-32 HEX	2
22	6509041	WASHER, M6 FLAT	1
23	1204006	SCREW, M6-1.0 X 18 SOC HEX HD	1
24	6512046	GROMMET, RUBBER	1
25	6512028	BRACKET, MOTOR ADJUST	1
26	6512029	ROD, MOTOR ADJUST	1
27	6512050	MOTOR, 115V, 60HZ, 1PH, 1/3HP	1
	6512053	MOTOR, 230V, 60HZ, 1PH	1
	6512051	MOTOR, 230V, 50HZ, 1PH	1
28	1204008	BOLT, HEX HD	1
29	6512030	HOUSING, BASE	1
30	1204005	SCREW, M6-1.0 X 20 SOC HEX HD	4
31	6509017	KNOB, KNIFE GUARD	1
32	6509016	SHAFT, KNIFE GUARD	1

KNIFE, PULLEY AND MOTOR ASSEMBLY
FIGURE 3



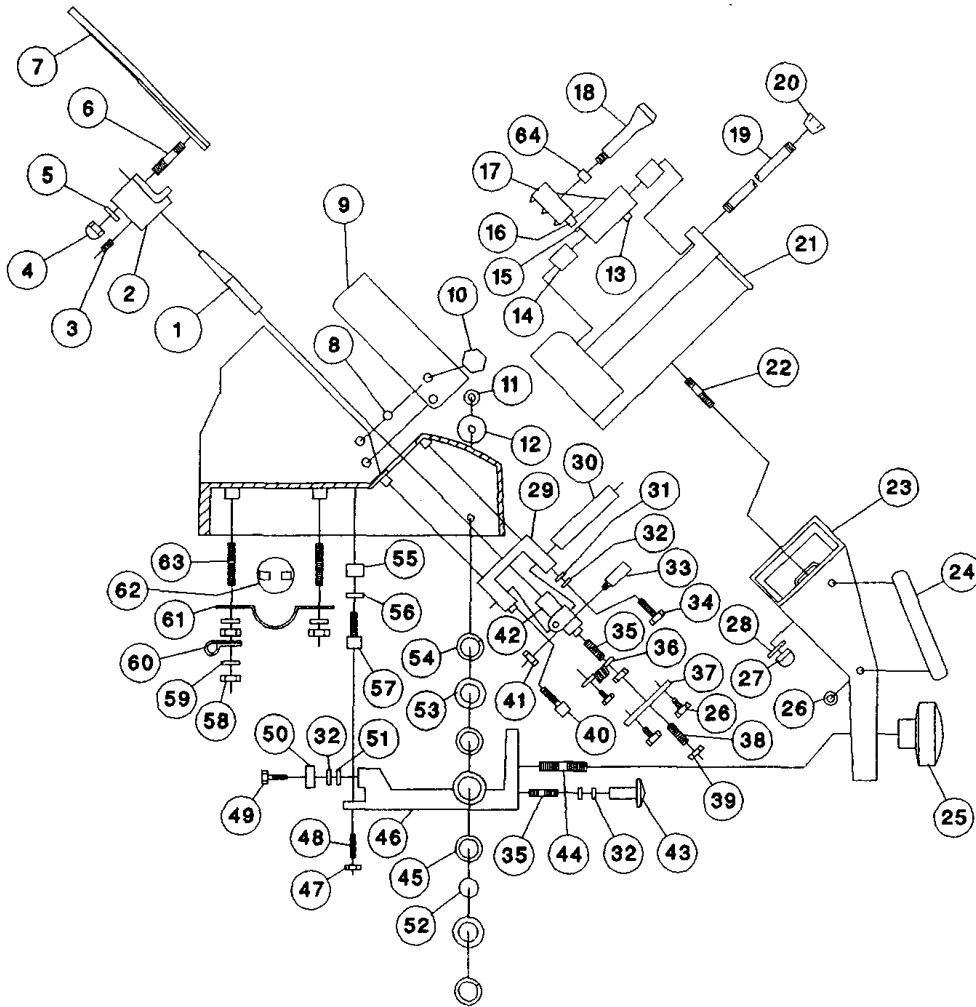
**FENCE, FENCE ADJUST, CARRIAGE, CARRIAGE ARM
CARRIAGE ARM SUPPORT AND FEED GRIP ASSEMBLY
FIGURE 4**

ILLUS. NO.	PART NO.	DESCRIPTION	QTY.
FENCE MOUNTING BRACKET AND SHAFT ASSEMBLY			
INCLUDES NO. 1 THRU 3			
1	6509076	SHAFT, FENCE ARM	1
2	6512031	BRACKET, FENCE MOUNTING	1
3	6509083	SET SCREW, M6-1.0 X 12 CUP POINT	2
4	6509081	NUT, ACORN M8-1.25	2
5	6509082	WASHER	2
6	7510080	STUD	2
7	6512032	FENCE	1
8	8512206	PIN	1
9	6512033	DEFLECTOR	1
10	6509024	SCREW, DEFLECTOR	1
11	6509038	SCREW, FLAT HD SLOTTED	2
12	6509037	WASHER	2
CARRIAGE AND FEED GRIP ASSEMBLY			
INCLUDES NO. 13 THRU 22			
13	6509158	NYLON TIP	1
14	6509053	BUSHING, FEED GRIP	2
15	6509159	PIN	1
16	6509160	NYLON TIP	1
17	6512034	FEED GRIP	1
18	6509054	HANDLE, FEED GRIP	1
19	6509049	SHAFT, FEED GRIP	1
20	6509153	KNOB, FEED GRIP	1
21	6512035	CARRIAGE	1
22	6509057	BOLT, CARRIAGE LOCK	1
CARRIAGE ARM ASSEMBLY			
INCLUDES NO. 23 THRU 25 AND 2 OF 26			
23	6512036	ARM, CARRIAGE	1
24	6512037	HANDLE, CARRIAGE ARM	1
25	6509044	KNOB, CARRIAGE ARM	1
26	6509046	SCREW, M6-1.0 X 16 HEX WASHER HD	5
27	6509058	NUT, ACORN, M8-1.5	1
28	6509059	WASHER, CARRIAGE ARM	1
FENCE ADJUSTMENT ASSEMBLY			
INCLUDES NO. 29 THRU 42, ONLY 1 OF 32, ONLY 1 OF 35, AND 3 OF 26			
29	6509060	FRAME, FENCE ADJ.	1
30	6509069	SHAFT, FENCE ADJ.	1
31	6512802	WASHER, M8 EXTERNAL TOOTH	1
32	6509132	WASHER, M8 FLAT	4
33	6509071	PIN, FENCE ARM SHAFT	1
34	8512527	SCREW, M8-1.25 X 25 HEX HD	1
35	8512326	SET SCREW, M8-1.25 X 22 CUP POINT	2
36	6509061	SPRING, FENCE ADJ.	1
37	6509064	SUPPORT, FENCE ADJ.	1

**FENCE, FENCE ADJUST, CARRIAGE, CARRIAGE ARM
CARRIAGE ARM SUPPORT AND FEED GRIP ASSEMBLY
FIGURE 4 (CONT)**

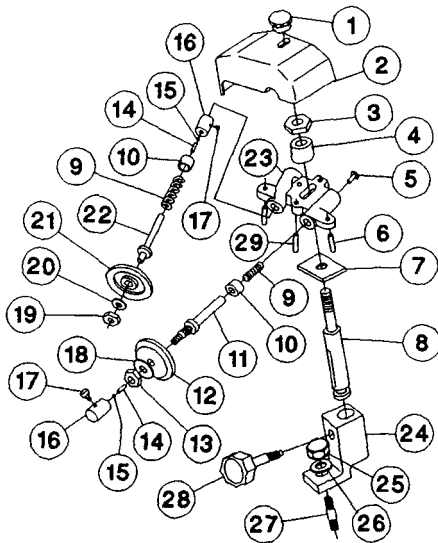
ILLUS. NO.	PART NO.	DESCRIPTION	QTY.
38	6509073	SET SCREW, M6-1.0 X 20 FLAT POINT	1
39	6509074	NUT, M6-1.0 HEX	1
40	6509067	SCREW, M6-1.0 X 18 HEX SOCKET HD	1
41	6509072	NUT, M8-1.25 HEX	2
42	6509070	SUPPORT, FENCE ARM SHAFT	1
CARRIAGE ARM SUPPORT ASSEMBLY			
INCLUDES NO. 43 THRU 51, 2 OF 32, 1 OF 35			
43	8512325	ANCHOR, CARRIAGE ARM	1
44	6509042	BOLT, CARRIAGE ARM	1
45	6509026	BUSHING, CARRIAGE ARM SUPPORT	2
46	6509025	SUPPORT, CARRIAGE ARM	1
47	6509033	NUT, M10-1.5 HEX	1
48	6509032	STUD, NYLON TIP	1
49	8512308	SCREW, M8-1.25 X 20 HEX HD	1
50	6509031	BEARING, ROLLER	1
51	8512802	WASHER LOCK	1
52	6512038	BAR, CARRIAGE SLIDE	1
53	6509036	WASHER	2
54	6509835	SPRING, SLIDE BAR	2
55	6512039	SLIDE, CARRIAGE	1
56	1204021	WASHER M8 FLAT	2
57	1204007	SCREW, HEX SOC HD M8-1.25 X 15	2
58	6509115	NUT, M5-0.8 HEX	3
59	1200076	WASHER, FLAT NO. 10	3
60	4400101	TIE DOWN, CORD	1
61	4400024	BRACKET, CAPACITOR 115V	1
62	4509072	CAPACITOR, 115V	1
	6512052	CAPACITOR, 230V, 50/60 HZ, 1PH	1
63	6509113	STUD, M5-0.8 X 25MM	2
64	6512047	SPACER	1

FENCE, FENCE ADJUST, CARRIAGE, CARRIAGE ARM
CARRIAGE ARM SUPPORT AND FEED GRIP ASSEMBLY
FIGURE 4



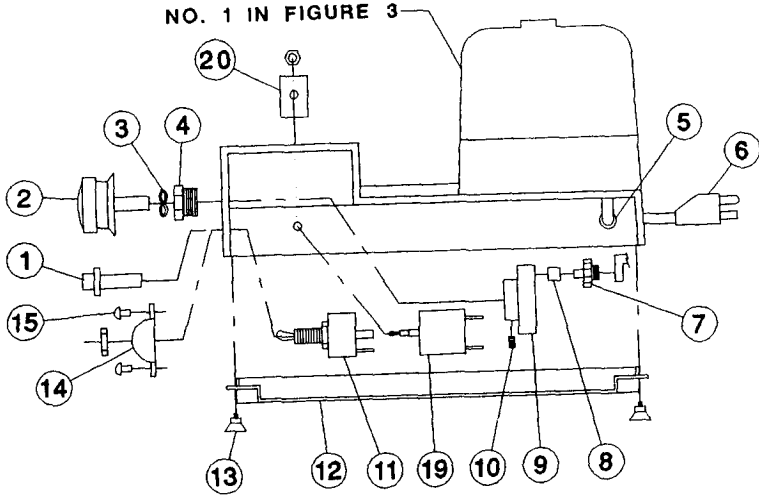
**SHARPENER ASSEMBLY
FIGURE 5**

ILLUS. NO.	PART NO.	DESCRIPTION	QTY
1	6509153	KNOB	1
2	6512054	COVER	1
3	6509150	NUT	1
4	6509149	SPACER	1
5	6509137	SCREW	1
6	8512728	STUD MOUNTING	2
7	6509125	WASHER, SET PIN	1
8	7510120	PIN, SET	1
9	6509127	SPRING	2
10	6509128	BUSHING	2
11	6509129	STUD, HONING	1
12	6509130	STONE, HONING	1
13	6509131	NUT	1
14	6509134	SPRING	2
15	6509133	BALL	2
16	6509135	BUTTON, STONE DEPRESS	2
17	6509136	SCREW	2
18	6509132	WASHER	1
19	6509143	NUT	1
20	6509144	WASHER	1
21	6509142	STONE, SHARPENING	1
22	6509141	STUD, SHARPENING	1
23	6509126	MOUNT	1
24	6512041	SUPPORT, SHARPENER	1
25	6509081	NUT, ACORN	1
26	6509121	WASHER	1
27	6512040	STUD, SHARPENER SUPPORT	1
28	7510150	KNOB, ASSEMBLY	1
29	6509147	SCREW, SHARPENER	2

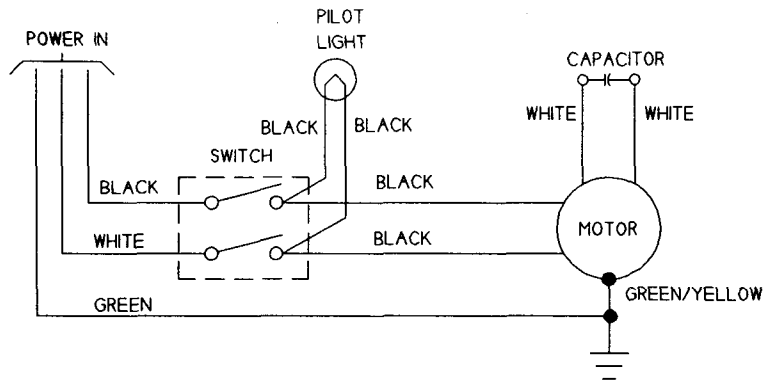


BASE & SLICE ADJUSTMENT KNOB ASSEMBLY
FIGURE 6

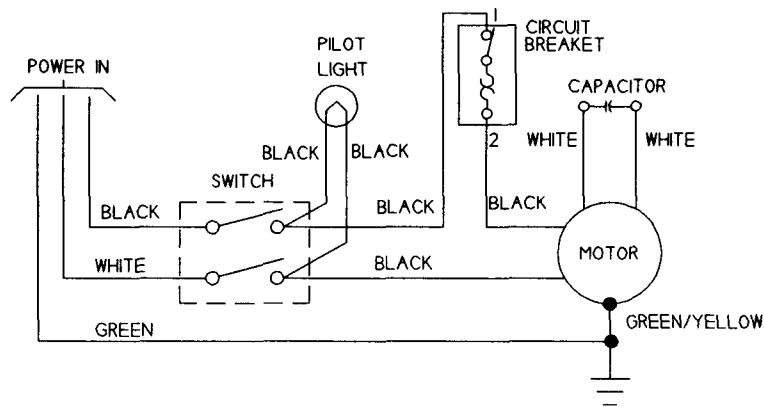
ILLUS. NO.	PART NO.	DESCRIPTION	QTY.
1	1814069	LIGHT, 125V	1
	1814069A	LIGHT, 230V	1
2	6509084	KNOB, SLICE ADJ	1
3	6509086	WASHER, SLICE ADJ	1
4	6509087	NUT, SLICE ADJ	1
5	1012042	STRAIN RELIEF	1
6	4400053	ELECTRIC CORD, 115V	1
	8800210	ELECTRIC CORD, 230V	1
7	6509090	HOLDER, CAM INSERT	1
8	6509091	INSERT, CAM	1
9	6509088	CAM, SLICE ADJ	1
10	6509089	SET SCREW, M6-1.0 X 14, CUP POINT	1
11	7120009	SWITCH, 115V, 220-240V	1
12	6512042	COVER, BOTTOM	1
13	6509093	FEET, RUBBER SUCTION	4
14	7120011	GUARD, SWITCH	1
15	4400081	PIN, SWITCH GUARD	2
16	4400337	LABEL, UNIVEX PREP-SAVER (NOT SHOWN)	1
17	4400409	LABEL, DANGER (NOT SHOWN)	1
CANADA ONLY			
19	4400236	CIRCUIT BREAKER	1
20	4400227	LABEL, RESET	1



WIRING DIAGRAM MODEL 6512
115V, 60HZ, 1PH, 230V, 50/60HZ, 1PH
FIGURE 7



CANADA ONLY



IMPORTANT

Warning: Before making electrical connections, check the specifications on the data plate to assure they agree with those of your electrical service.

Whenever cleaning or maintenance is being performed, DISCONNECT electrical cord.