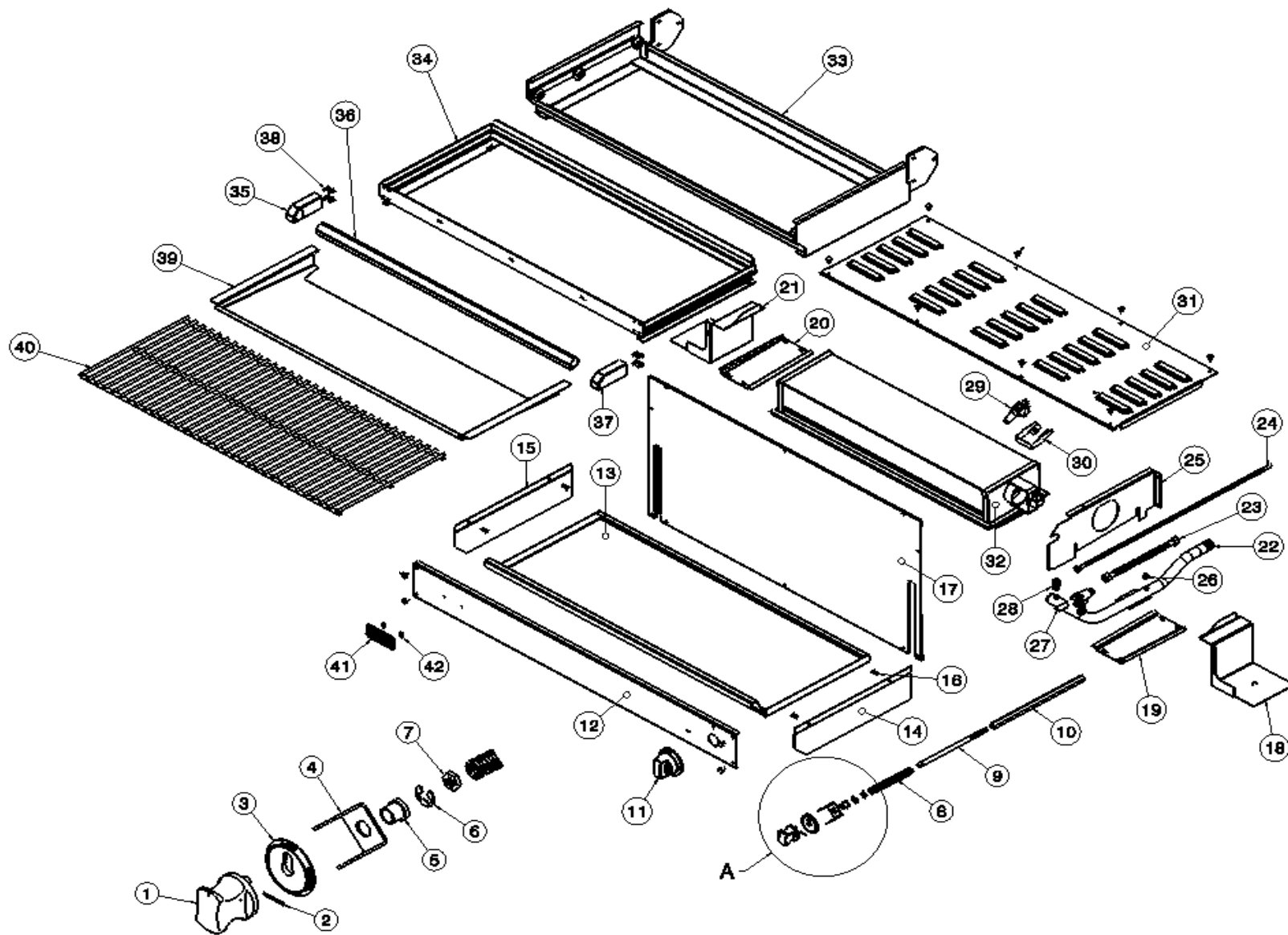
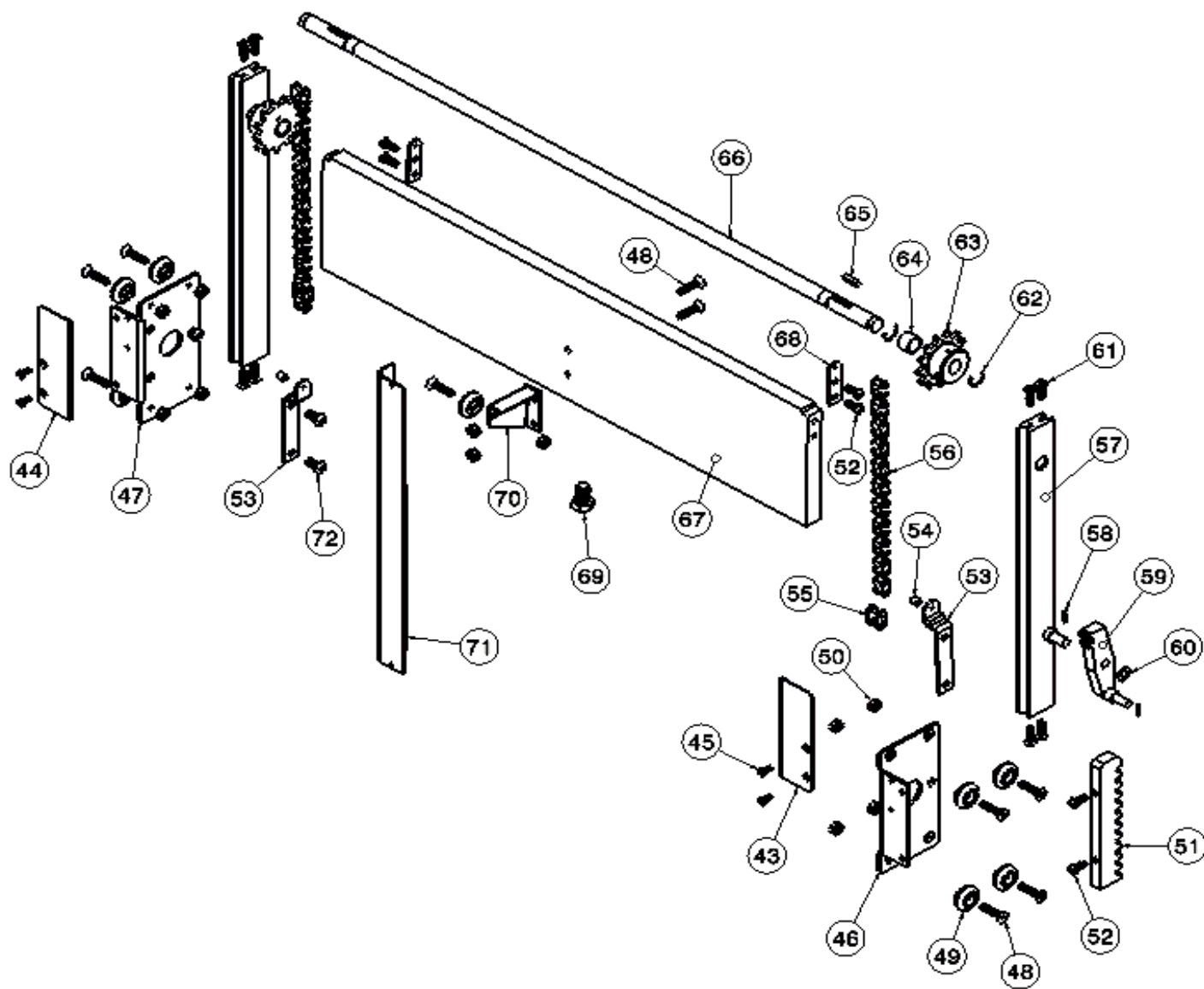


Salamander



Salamander



Salamander

Model

V36SMR-NG

V36SMW-NG

V36SMC-NG

V36SMR-LP

V36SMW-LP

V36SMC-LP

| | Part Number | Part Description | QTY | QTY | QTY | QTY | QTY | QTY |
|----|-------------|--------------------------|-----|-----|-----|-----|-----|-----|
| 1 | 005183-000 | Knob, Lock | 1 | 1 | 1 | 1 | 1 | 1 |
| 2 | 019134-000 | Spring Pin | 1 | 1 | 1 | 1 | 1 | 1 |
| 3 | 005171-000 | Bezel | 1 | 1 | 1 | 1 | 1 | 1 |
| | 100480-000 | Press Nut .125 | 2 | 2 | 2 | 2 | 2 | 2 |
| 4 | 010708-000 | Wa. Bracket | 1 | 1 | 1 | 1 | 1 | 1 |
| 5 | 005618-000 | Bushing | 1 | 1 | 1 | 1 | 1 | 1 |
| 6 | 010819-000 | C-Clip 3/8 | 1 | 1 | 1 | 1 | 1 | 1 |
| 7 | 010823-000 | Nut, Jam | 1 | 1 | 1 | 1 | 1 | 1 |
| 8 | 010818-000 | Spring, Lock | 1 | 1 | 1 | 1 | 1 | 1 |
| 9 | 010777-000 | Shaft, Lock 3/8 | 1 | 1 | 1 | 1 | 1 | 1 |
| 10 | 008491-000 | Hex Rod | 1 | 1 | 1 | 1 | 1 | 1 |
| 11 | 011115-000 | Knob, On-Off | 1 | 1 | 1 | 1 | 1 | 1 |
| | 004705-000 | Set Screw | 1 | 1 | 1 | 1 | 1 | 1 |
| | 004706-000 | Screw, Knob | 4 | 4 | 4 | 4 | 4 | 4 |
| 12 | 011240-000 | Panel, Front 36" | 1 | 1 | 1 | 1 | 1 | 1 |
| | PD020033 | Screw, Panel | 4 | 4 | 4 | 4 | 4 | 4 |
| 13 | 010286-000 | Drip Tray | 1 | 1 | 1 | 1 | 1 | 1 |
| 14 | 011231-000 | Filler, RH | 1 | 1 | 1 | 1 | 1 | 1 |
| 15 | 011230-000 | Filler, LH | 1 | 1 | 1 | 1 | 1 | 1 |
| 16 | 012417-000 | Screw | 4 | 4 | 4 | 4 | 4 | 4 |
| 17 | 014138-000 | Inside Back Panel | 1 | 1 | 1 | 1 | 1 | 1 |
| | PD020033 | 10-24 x 1/2 Screw | 10 | 10 | 10 | 10 | 10 | 10 |
| 18 | 026760-000 | Flue Shield, RH | 1 | 1 | 1 | 1 | 1 | 1 |
| 19 | 011235-000 | IR Retainer, RH 36" | 1 | 1 | 1 | 1 | 1 | 1 |
| 20 | 011232-000 | IR Retainer, LH 36" | 1 | 1 | 1 | 1 | 1 | 1 |
| 21 | 026763-000 | Flue Shield, LH | 1 | 1 | 1 | 1 | 1 | 1 |
| 22 | 011271-000 | Manifold, CM/SM RT | 1 | 1 | 1 | 1 | 1 | 1 |
| | 010330-000 | Nut, Manifold | 1 | 1 | 1 | 1 | 1 | 1 |
| | 010539-000 | Washer, Manifold | 1 | 1 | 1 | 1 | 1 | 1 |
| 23 | 010476-000 | 3/8" Flex Tubing, Burner | 1 | 1 | 1 | 1 | 1 | 1 |
| 24 | 010477-000 | 1/4" Flex Tubing, Pilot | 1 | 1 | 1 | 1 | 1 | 1 |
| 25 | 011227-000 | IR Burner Shield | 1 | 1 | 1 | 1 | 1 | 1 |
| 26 | 010158-000 | Plug, Hex | 1 | 1 | 1 | 1 | 1 | 1 |
| 27 | 010309-000 | Valve, Burner | 1 | 1 | 1 | 1 | 1 | 1 |
| 28 | 010315-000 | Valve, Pilot | 1 | 1 | 1 | 1 | 1 | 1 |

Salamander

Model

V36SMR-NG

V36SMW-NG

V36SMC-NG

V36SMR-LP

V36SMW-LP

V36SMC-LP

| | Part Number | Part Description | QTY | QTY | QTY | QTY | QTY | QTY |
|----|-------------|------------------------------------|-----|-----|-----|-----|-----|-----|
| 29 | 015191-000 | Pilot, CM/SM | 1 | 1 | 1 | 1 | 1 | 1 |
| | 031776-000 | Mounting Screws | 2 | 2 | 2 | 2 | 2 | 2 |
| 30 | 019113-000 | Pilot Cover | 1 | 1 | 1 | 1 | 1 | 1 |
| 31 | 010297-000 | Top Panel | 1 | 1 | 1 | 1 | 1 | 1 |
| | PD020033 | Screw, Panel | 8 | 8 | 8 | 8 | 8 | 8 |
| 32 | 010316-000 | Burner, IR 24" | 1 | 1 | 1 | 1 | 1 | 1 |
| | 009213-000 | Screen | 1 | 1 | 1 | 1 | 1 | 1 |
| | 015788-000 | Orifice NG, #41 | 1 | 1 | 1 | | | |
| | 015799-000 | Orifice LP, #53 | | | | 1 | 1 | 1 |
| 33 | 010834-000 | Lift Tray with rollers | 1 | 1 | 1 | 1 | 1 | 1 |
| | 010788-000 | Rollers | 6 | 6 | 6 | 6 | 6 | 6 |
| | 012418-000 | 1/4 - 20 x 3/4 Screw | 6 | 6 | 6 | 6 | 6 | 6 |
| 34 | 012829-000 | Upper Carriage | 1 | 1 | 1 | 1 | 1 | 1 |
| 35 | 006049-000 | Handle Bracket LH | 1 | 1 | 1 | 1 | 1 | 1 |
| 36 | 006040-000 | Handle | 1 | 1 | 1 | 1 | 1 | 1 |
| 37 | 005983-000 | Handle Bracket RH | 1 | 1 | 1 | 1 | 1 | 1 |
| 38 | 012417-000 | 10-24 x 1/2 screw | 8 | 8 | 8 | 8 | 8 | 8 |
| 39 | 010710-000 | Grease Shield | 1 | 1 | 1 | 1 | 1 | 1 |
| 40 | 008285-000 | Rack | 1 | 1 | 1 | 1 | 1 | 1 |
| 41 | 004728-000 | Viking Name Plate | 1 | 1 | 1 | 1 | 1 | 1 |
| 42 | 010480-000 | Press Nut | 2 | 2 | 2 | 2 | 2 | 2 |
| 43 | 010720-000 | Shield Lift RH | 1 | 1 | 1 | 1 | 1 | 1 |
| 44 | 010722-000 | Shield Lift LH | 1 | 1 | 1 | 1 | 1 | 1 |
| 45 | 012417-000 | Screw 10-24 x 1/2 Flat Head | 4 | 4 | 4 | 4 | 4 | 4 |
| 46 | 014147-000 | Lift Gusset, RH | 1 | 1 | 1 | 1 | 1 | 1 |
| 47 | 014149-000 | Lift Gusset, LH | 1 | 1 | 1 | 1 | 1 | 1 |
| 48 | 010813-000 | 5/16 - 18 x 5/8 Hex Socket Screw | 11 | 11 | 11 | 11 | 11 | 11 |
| 49 | 010788-000 | Roller SS | 9 | 9 | 9 | 9 | 9 | 9 |
| 50 | 010330-000 | Nut, 1/4 -20 keeps nut, SS | 9 | 9 | 9 | 9 | 9 | 9 |
| 51 | 010747-000 | Lift Lock Gear | 1 | 1 | 1 | 1 | 1 | 1 |
| 52 | 010811-000 | 1/4 - 20 x 5/8 SS Hex Socket Screw | 6 | 6 | 6 | 6 | 6 | 6 |
| 53 | 014140-000 | Offset Link Plate | 2 | 2 | 2 | 2 | 2 | 2 |
| 54 | 010814-000 | Spacer Link | 4 | 4 | 4 | 4 | 4 | 4 |
| 55 | 010826-000 | Master Link | 2 | 2 | 2 | 2 | 2 | 2 |
| 56 | 010828-000 | Roller Chain W/Master Link | 2 | 2 | 2 | 2 | 2 | 2 |

| | | | | | | | | |
|----|------------|--|---|---|----|---|---|----|
| 57 | 016243-000 | Rail, W/Pin | 1 | 1 | 1 | 1 | 1 | 1 |
| | 010755-000 | Rail, Left | 1 | 1 | 1 | 1 | 1 | 1 |
| 58 | 010809-000 | Cotter Pin | 2 | 2 | 2 | 2 | 2 | 2 |
| 59 | 016241-000 | Pivot Arm | 1 | 1 | 1 | 1 | 1 | 1 |
| 60 | 010817-000 | Washer | 1 | 1 | 1 | 1 | 1 | 1 |
| 61 | 012418-000 | 1/4 - 20 Undercut Screw | 8 | 8 | 8 | 8 | 8 | 8 |
| 62 | 010820-000 | "C" Clip | 4 | 4 | 4 | 4 | 4 | 4 |
| 63 | 010784-000 | Sprocket | 2 | 2 | 2 | 2 | 2 | 2 |
| 64 | 010821-000 | Sleeve Bearing | 2 | 2 | 2 | 2 | 2 | 2 |
| 65 | 010822-000 | Key Stock | 2 | 2 | 2 | 2 | 2 | 2 |
| 66 | 010765-000 | Sprocket Shaft | 1 | 1 | 1 | 1 | 1 | 1 |
| 67 | 010758-000 | Counter Weight | 1 | 1 | 1 | 1 | 1 | 1 |
| 68 | 012102-000 | Straight Plate | 2 | 2 | 2 | 2 | 2 | 2 |
| 69 | 010455-000 | 1/2 - 13 x 1 Hex Bolt | 1 | 1 | 1 | 1 | 1 | 1 |
| | 019132-000 | Jam Nut 1/2 - 13 | 1 | 1 | 1 | 1 | 1 | 1 |
| 70 | 008745-000 | Bracket, Center Roller | 1 | 1 | 1 | 1 | 1 | 1 |
| 71 | 008746-000 | Roller Bracket | 1 | 1 | 1 | 1 | 1 | 1 |
| 72 | 010813-000 | 5/16 - 18 x 5/8 Hex Head Screw | 4 | 4 | 4 | 4 | 4 | 4 |
| | | Not Shown | | | | | | |
| | 024352-000 | Back Cover, s/hole for gas line | | | 1 | | | 1 |
| | 025012-000 | Back Cover, no hole for gas line | | | | | | |
| | PD020033 | Screw, Panel | | | | | | |
| | 010290-000 | Wall Bracket 36" | | 1 | | | 1 | |
| | 010455-000 | 1/2 x 13 x 1 Hex Bolt (mounting bolts) | 4 | | | 4 | | |
| | 012497-000 | Regulator, 3/4" NG | | | | | | |
| | 014019-000 | Regulator, 3/4" LP | | | | | | |
| | 012490-000 | Regulator, 1" NG | | | | | | |
| | 014018-000 | Regulator, 1" LP | | | | | | |
| | 012500-000 | Regulator, 1 1/4" NG | | | | | | |
| | 014020-000 | Regulator, 1 1/4" LP | | | | | | |
| | 009088-000 | 4" Leg with mounting plate | | | 4 | | | 4 |
| | PD020069 | CAP SCREW 1/4-20 X 3/4 SS | | | 16 | | | 16 |