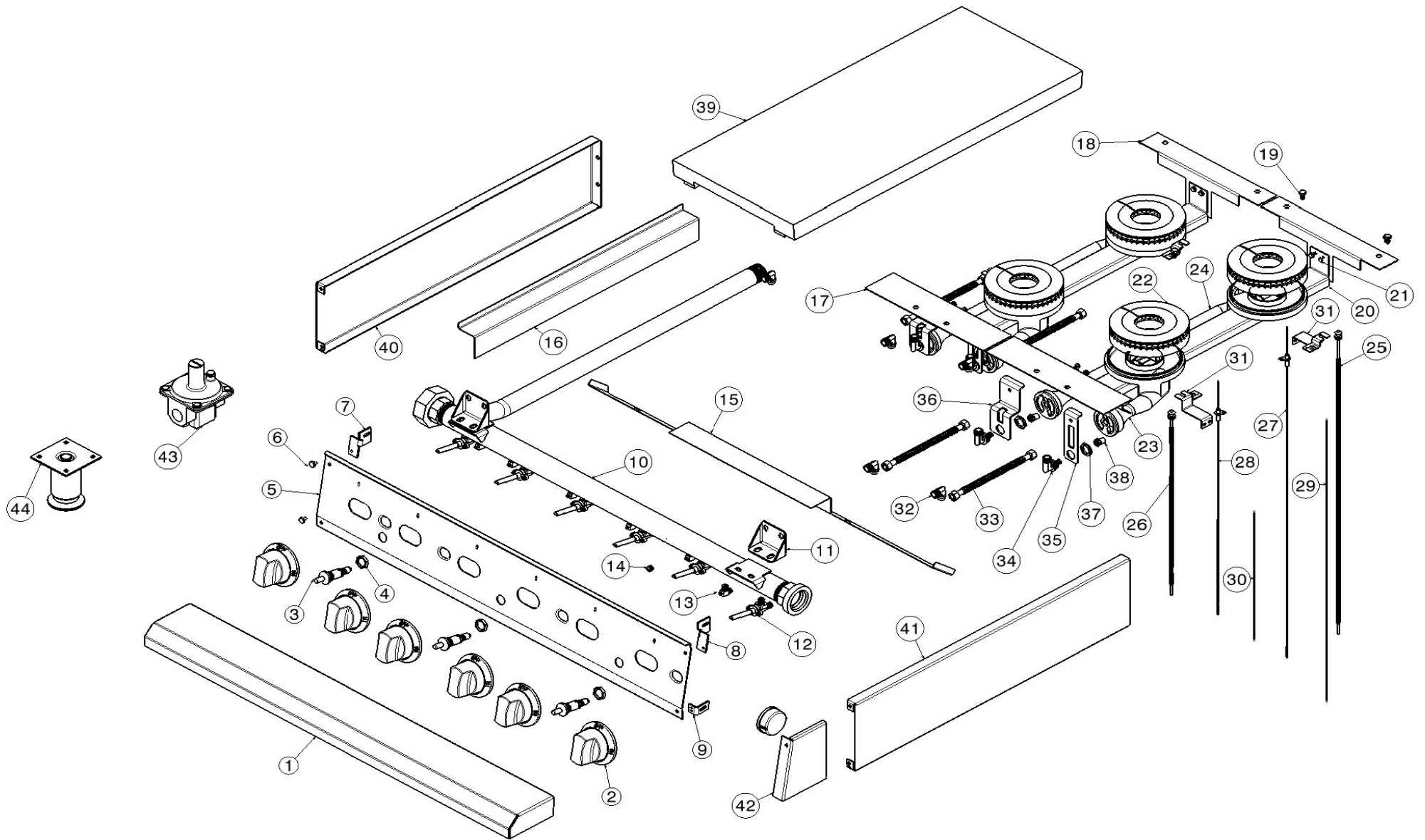


Hot Top - 12"



Hot Top 12"		Model	V36H3-NG	V24H2-NG	V12H-NG	V36H3-LP	V24H2-LP	V12H-LP
Part Number	Part Description	QTY	QTY	QTY	QTY	QTY	QTY	QTY
1	AV36PS	Plate Shelf, Standard 36"	1			1		
	AV24PS	Plate Shelf, Standard 24"		1			1	
	AV12PS	Plate Shelf, Standard 12"			1			1
	AV36PS6	Plate Shelf, 6" Deep, 36"	1			1		
	AV24PS6	Plate Shelf, 6" Deep, 24"		1			1	
	AV12PS6	Plate Shelf, 6" Deep, 12"			1			1
	AV36PS8	Plate Shelf, 8" Deep, 36"	1			1		
	AV24PS8	Plate Shelf, 8" Deep, 24"		1			1	
	AV12PS8	Plate Shelf, 8" Deep, 12"			1			1
	010539-000	Washer, Plate Shelf	2	2	2	2	2	2
	010330-000	Nut, Plate Shelf	2	2	2	2	2	2
2	006024-000	RANGE TOP KNOB ASM, 90 DEG.	6	4	2	6	4	2
	004705-000	Set Screw	24	16	8	24	16	8
	004706-000	Screw, Knob	6	4	2	6	4	2
3	010917-000	PIEZO IGNITER, PUSH BUTTON	3	2	1	3	2	1
	019121-000	Sleeve, Fiber Glass (Piezo Igniter)	3	2	1	3	2	1
4	014230-000	PAL TYPE NUT, 18MM X 1.5MM THRD.	3	2	1	3	2	1
5	015219-000	CONTROL PANEL V36H3	1			1		
	014626-000	CONTROL PANEL V24H2		1			1	
	010962-000	CONTROL PANEL V12H			1			1
	012171-000	Name Plate	1	1	1	1	1	1
6	PD020033	Screw, Front Panel	4	4	4	4	4	4
7	016120-000	Bracket, Front Panel Top LH	1	1	1	1	1	1
	M0270528	Washer	1	1	1	1	1	1
	010328-000	Screw, Bracket	1	1	1	1	1	1
8	016113-000	Bracket, Front Panel Top RH	1	1	1	1	1	1
	M0270528	Washer	1	1	1	1	1	1
	010328-000	Screw, Bracket	1	1	1	1	1	1
9	016114-000	Bracket, Front Panel Bottom	2	2	2	2	2	2
	M0270528	Washer	2	2	2	2	2	2
	010328-000	Screw, Bracket	2	2	2	2	2	2
10	004964-000	MANIFOLD, 36" 12"HT	1			1		
	010542-000	MANIFOLD, WA 24" W/1" LH REAR GAS ASM		1			1	
	008802-000	MANIFOLD, WA 12"			1			1

Hot Top 12"

Model

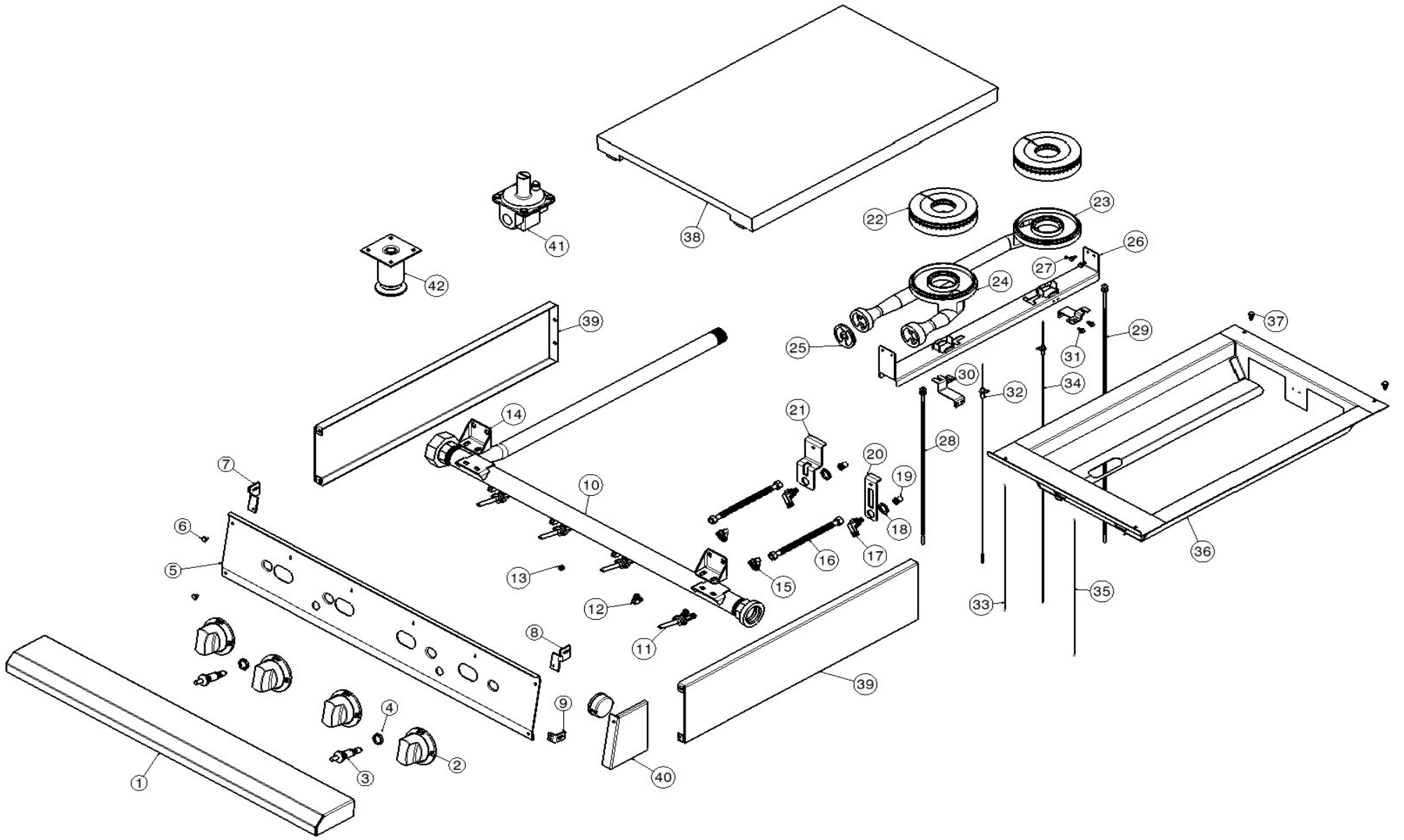
	Part Number	Part Description	V36H3-NG	V24H2-NG	V12H-NG	V36H3-LP	V24H2-LP	V12H-LP
			QTY	QTY	QTY	QTY	QTY	QTY
11	005011-000	BRACKET, MANIFOLD	2	2	2	2	2	2
	PS020069	Cap Screw 1/4-20 x 3/4 SS	4	4	4	4	4	4
	010539-000	WASHER, .266 x .563, S.S.	8	8	8	8	8	8
	010330-000	1/4"-20 (L:3/16", W:7/16") LOCK NUT	8	8	8	8	8	8
12	006525-000	VALVE, GAS, COMM, ON-OFF	6	4	2	6	4	2
13	004839-000	SHUTOFF, PILOT	6	4	2	6	4	2
14	010158-000	1/8" NPT PLUG	4	1	1	4	1	1
15	015473-000	Heat Shield, 36"	1			1		
	015455-000	Heat Shield, 24"		1			1	
	016699-000	Heat Shield, 12"			1			1
16	015458-000	Manifold Shield	1	1		1	1	
17	011111-000	FRONT HEAT SHIELD 12" HOT TOP	3	2	1	3	2	1
18	011113-000	BACK SUPPORT, 12" HOT TOP	3	2	1	3	2	1
19	PD020069	CAP SCREW 1/4-20 X 3/4 SS	12	8	4	12	8	4
20	011112-000	HANGER, BURNER, 12" HOT TOP	3	2	1	3	2	1
21	PD020048	Screw, 10 x 1/2	30	20	10	30	20	10
22	008488-000	TOP, ROUND BURNER	6	4	2	6	4	2
23	008559-000	BOTTOM, SHORT, ROUND BURNER	3	2	1	3	2	1
	011696-000	Air Shutter	6	4	2	6	4	2
	011697-000	Screw, Air Shutter	6	4	2	6	4	2
24	008573-000	BOTTOM, LONG, ROUND BURNER	3	2	1	3	2	1
	011696-000	Air Shutter	6	4	2	6	4	2
	011697-000	Screw, Air Shutter	6	4	2	6	4	2
25	010922-000	PILOT ASM REAR, BRAZED, FLEX, 28"	3	2	1	3	2	1
26	010921-000	PILOT ASM, BRAZED, FLEX, 17"	3	2	1	3	2	1
27	014557-000	ELECTRODE W/RING TERMINAL .092"x(F), 26"	3	2	1	3	2	1
28	014520-000	ELECTRODE W/TERMINAL .110"x.020"(F), 17"	3	2	1	3	2	1
29	016750-000	Fiber Glass Sleeve, 26"	3	2	1	3	2	1
30	016749-000	Fiber Glass Sleeve, 17"	3	2	1	3	2	1
31	017767-000	BRACKET, PILOT, HT	6	4	2	6	4	2
32	010373-000	FITTING, VALVE OUTLET ADAPTOR 3/8-27x 3/8 CC	6	4	2	6	4	2
33	009392-000	TUBING, FLEX, SST, 3/8cc X 8"	6	4	2	6	4	2
34	010349-000	BULK HEAD ORIFICE HOLDER, 3/8CC X 3/8-27	6	4	2	6	4	2
35	010600-000	BRACKET, ORF, REAR, FT / HT	3	2	1	3	2	1
36	010596-000	BRACKET, ORF, FR, FT / HT	3	2	1	3	2	1
37	010533-000	NUT LOCK 3/4-16, BRASS	6	4	2	6	4	2

Hot Top 12"

Model

			V36H3-NG	V24H2-NG	V12H-NG	V36H3-LP	V24H2-LP	V12H-LP
Part Number	Part Description	QTY	QTY	QTY	QTY	QTY	QTY	QTY
38	PB040035	ORIFICE HOOD, #51 NG	6	4	2			
	011458-000	ORIFICE HOOD, #55 LP				6	4	2
39	009114-000	CAST PLATE, 12" HOT TOP	3	2	1	3	2	1
	PD010006	Leveling Screw	12	8	4	12	8	4
40	016556-000	SIDE, PNL, LH, RANGE TOP	1	1	1	1	1	1
	PD020069	CAP SCREW 1/4-20 X 3/4 SS	4	4	4	4	4	4
41	016555-000	SIDE, PNL, RH, RANGE TOP	1	1	1	1	1	1
	PD020069	CAP SCREW 1/4-20 X 3/4 SS	4	4	4	4	4	4
42	010259-000	Manifold Cap Kit, LH	1	1	1	1	1	1
	010260-000	Manifold Cap Kit, RH	1	1	1	1	1	1
43	012497-000	Regulator, 3/4" NG	1	1	1			
	014019-000	Regulator, 3/4" LP				1	1	1
	012490-000	Regulator, 1" NG						
	014018-000	Regulator, 1" LP						
	012500-000	Regulator, 1 1/4" NG						
	014020-000	Regulator, 1 1/4" LP						
44	009088-000	4" Leg with mounting plate	4	4	4	4	4	4
	PD020069	CAP SCREW 1/4-20 X 3/4 SS	16	16	16	16	16	16

Hot Top -18"



Hot Top 18"

Model

V36H2-NG

V18H-NG

V36H2-LP

V18H-LP

	Part Number	Part Description	QTY	QTY	QTY	QTY
1	AV36PS	Plate Shelf, Standard 36"	1		1	
	AV18PS	Plate Shelf, Standard 18"		1		1
	AV36PS6	Plate Shelf, 6" Deep, 36"	1		1	
	AV18PS6	Plate Shelf, 6" Deep, 18"		1		1
	AV36PS8	Plate Shelf, 8" Deep, 36"	1		1	
	AV18PS8	Plate Shelf, 8" Deep, 18"		1		1
	010539-000	Washer, Plate Shelf	2	2	2	2
	010330-000	Nut, Plate Shelf	2	2	2	2
2	006024-000	RANGE TOP KNOB ASM, 90 DEG.	4	2	4	2
	004705-000	Set Screw	16	8	16	8
	004706-000	Screw, Knob	4	2	4	2
3	010917-000	PIEZO IGNITER, PUSH BUTTON	2	1	2	1
	019121-000	Sleeve, Fiber Glass (Piezo Igniter)	2	1	2	1
4	014230-000	PAL TYPE NUT, 18MM X 1.5MM THRD.	2	1	2	1
5	015255-000	CONTROL PANEL V36H2	1		1	
	010960-000	CONTROL PANEL V18H		1		1
	012171-000	Name Plate	1	1	1	1
6	PD020033	Screw, Front Panel	4	4	4	4
7	016120-000	Bracket, Front Panel Top LH	1	1	1	1
	M0270528	Washer	1	1	1	1
	010328-000	Screw, Bracket	1	1	1	1
8	016113-000	Bracket, Front Panel Top RH	1	1	1	1
	M0270528	Washer	1	1	1	1
	010328-000	Screw, Bracket	1	1	1	1
9	016114-000	Bracket, Front Panel Bottom	2	2	2	2
	M0270528	Washer	2	2	2	2
	010328-000	Screw, Bracket	2	2	2	2
10	006512-000	MANIFOLD, 36" 18"HT	1		1	
	010564-000	MANIFOLD, WA 18" W/1" LH REAR GAS ASM		1		1
11	006525-000	VALVE, GAS, COMM, ON-OFF	4	2	4	2
12	004839-000	SHUTOFF, PILOT	4	2	4	2
13	010158-000	1/8" NPT PLUG	1	1	1	1
14	005011-000	BRACKET, MANIFOLD	2	2	2	2
	PD020069	CAP SCREW 1/4-20 X 3/4 SS	4	4	4	4
	010539-000	WASHER, .266 x .563, S.S.	8	8	8	8
	010330-000	1/4"-20 (L:3/16", W:7/16") LOCK NUT	8	8	8	8
15	010373-000	FITTING, VALVE OUTLET ADAPTOR 3/8-27x 3/8 CC	4	2	4	2
16	009392-000	TUBING, FLEX, SST, 3/8cc X 8"	4	2	4	2

Hot Top 18"

Model

V36H2-NG

V18H-NG

V36H2-LP

V18H-LP

	Part Number	Part Description	QTY	QTY	QTY	QTY
17	010349-000	BULK HEAD ORIFICE HOLDER, 3/8CC X 3/8-27	4	2	4	2
18	010533-000	NUT LOCK 3/4-16, BRASS	4	2	4	2
19	010990-000	ORIFICE HOOD, #47 NG	4	2		
	011458-000	ORIFICE HOOD, #55 LP			4	2
20	010596-000	BRACKET, ORF, FR, FT / HT	2	1	2	1
21	010600-000	BRACKET, ORF, REAR, FT / HT	2	1	2	1
22	008488-000	TOP, ROUND BURNER	4	2	4	2
23	008573-000	BOTTOM, LONG, ROUND BURNER	2	1	2	1
24	008559-000	BOTTOM, SHORT, ROUND BURNER	2	1	2	1
25	011696-000	Air Shutter	4	2	4	2
	011697-000	Screw, Air Shutter	4	2	4	2
26	006745-000	Hanger, Burner	2	1	2	1
27	010328-000	Screw, 10-24 x 1/2"	8	4	8	4
28	010921-000	PILOT ASM, BRAZED, FLEX, 17"	2	1	2	1
29	010922-000	PILOT ASM REAR, BRAZED, FLEX, 28"	2	1	2	1
30	010589-000	BRACKET, PILOT, FT / HT	4	2	4	2
31	010328-000	Screw, 10-24 x 1/2"	8	4	8	4
32	014520-000	ELECTRODE W/TERMINAL .110"x.020"(F),17"	2	1	2	1
33	016749-000	Fiber Glass Sleeve, 17"	2	1	2	1
34	014557-000	ELECTRODE W/RING TERMINAL .092"x(F), 26"	2	1	2	1
35	016750-000	Fiber Glass Sleeve, 26"	2	1	2	1
36	005951-000	Burner Box	2	1	2	1
37	PD020069	1/4 20 Hex Bolt	8	4	8	4
38	005496-000	CAST PLATE, 18" HOT TOP	2	1	2	1
	PD010006	Leveling Screw	8	4	8	4
39	016555-000	SIDE, PNL, RH, RANGE TOP	1	1	1	1
	016556-000	SIDE, PNL, LH, RANGE TOP	1	1	1	1
	PD020069	CAP SCREW 1/4-20 X 3/4 SS	8	8	8	8
40	010259-000	Manifold Cap Kit, LH	1	1	1	1
	010260-000	Manifold Cap Kit, RH	1	1	1	1
41	012497-000	Regulator, 3/4" NG				
	014019-000	Regulator, 3/4" LP				
	012490-000	Regulator, 1" NG				
	014018-000	Regulator, 1" LP				
	012500-000	Regulator, 1 1/4" NG				
	014020-000	Regulator, 1 1/4" LP				
42	009088-000	4" Leg with mounting plate	4	4	4	4
	PD020069	CAP SCREW 1/4-20 X 3/4 SS	16	16	16	16