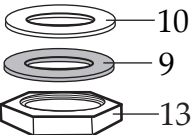
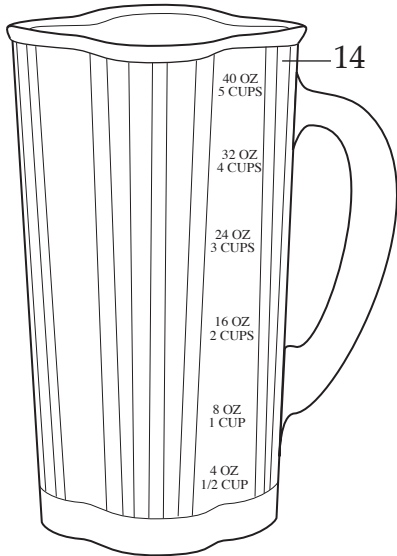
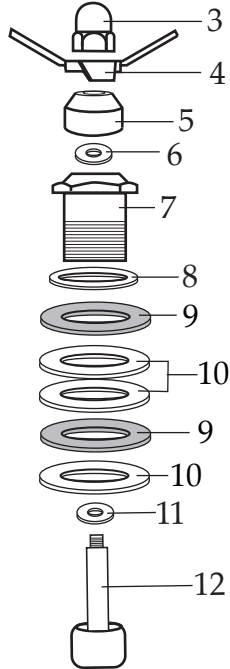
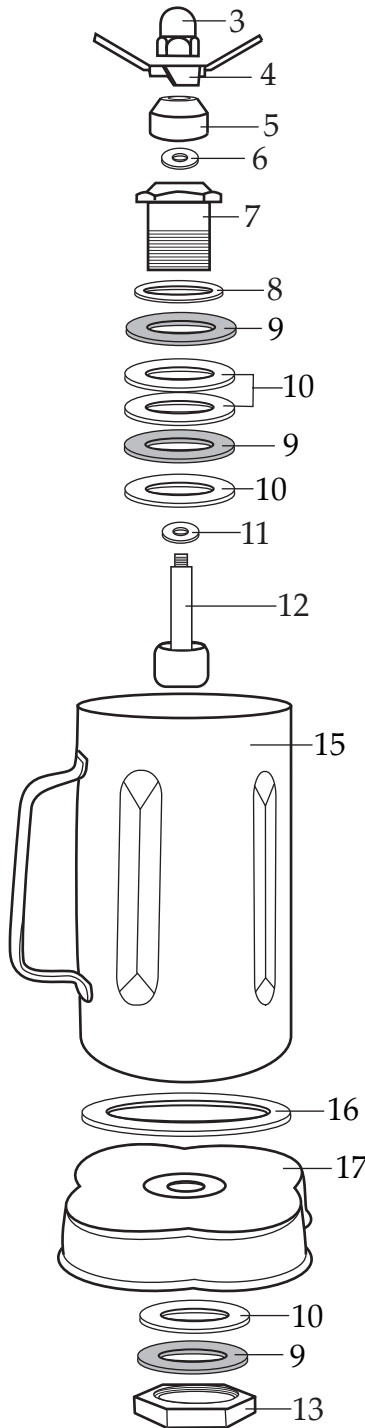


004315
2 Piece Lid
for Glass Containers



500778
Blending Assy.

500211
Container /glass
with Blending Assy.



500778
Blending Assy.

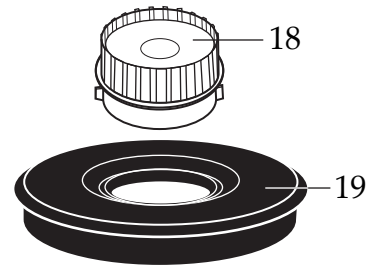
500339
Container /S.S.
with Blending Assy.

008065
Container /S.S.
with Blending Assy. and Vinyl Lid

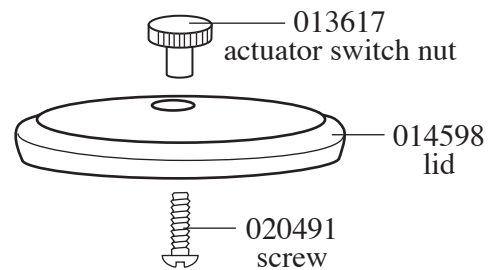
501110
Container /S.S.
with Blending Assy. and S.S. Lid

WARING
COMMERCIAL

7010BU /base unit
7010G /glass container
7010S /stainless steel container



500665
2 Piece Lid
for Stainless Steel Containers



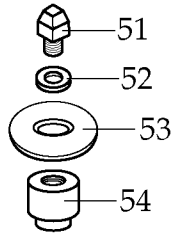
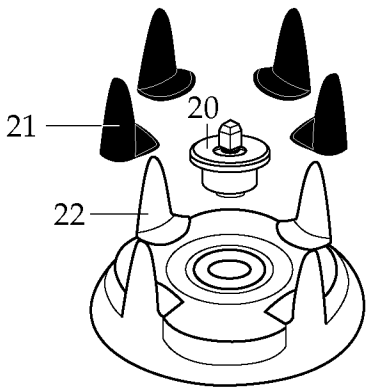
501017
Stainless Steel Lid (optional)
for Stainless Steel Containers

WARING COMMERCIAL

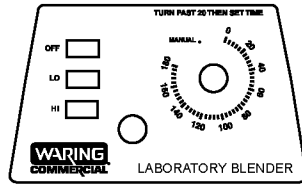
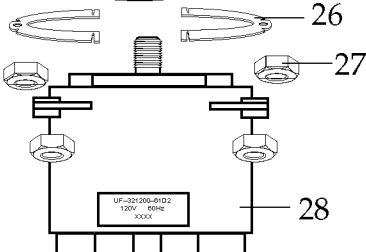
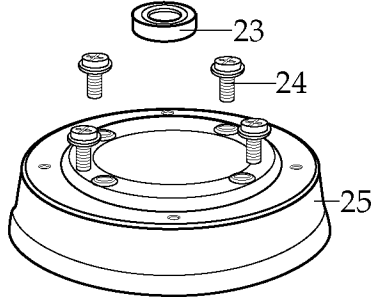
7010BU /base unit

7010G /glass container

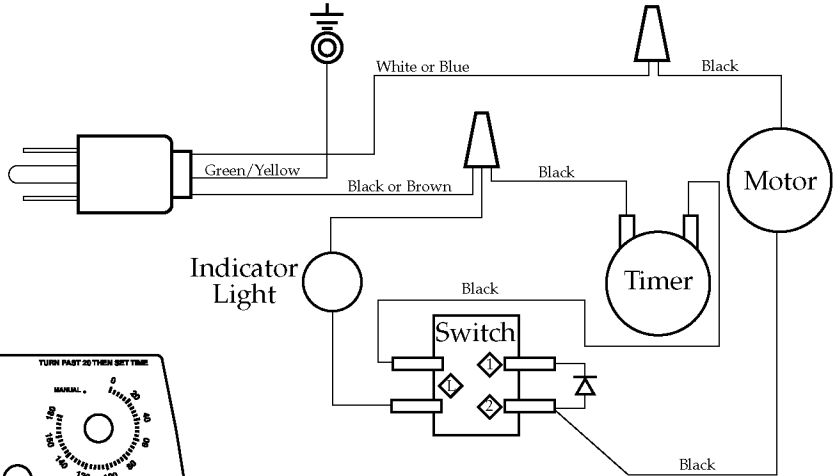
7010S /stainless steel container



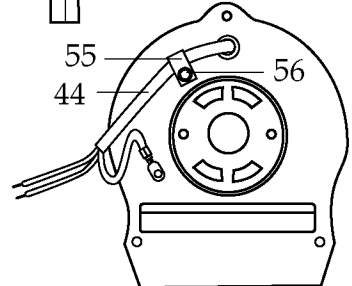
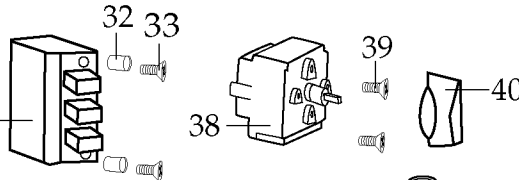
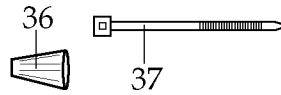
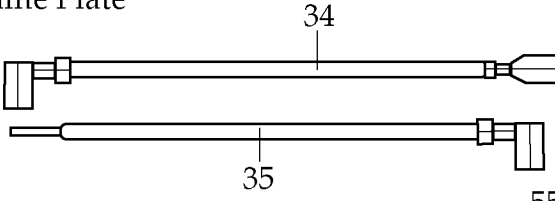
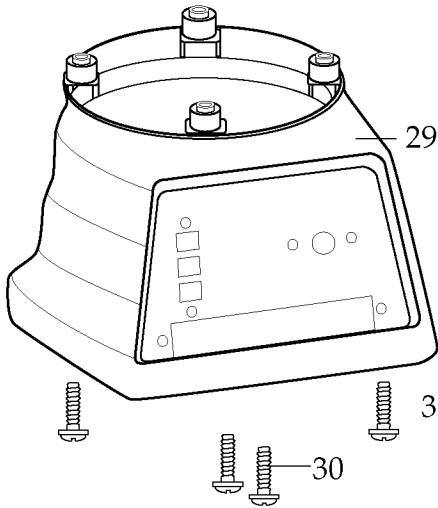
002518
Drive Coupling
(parts that can be purchased separately)



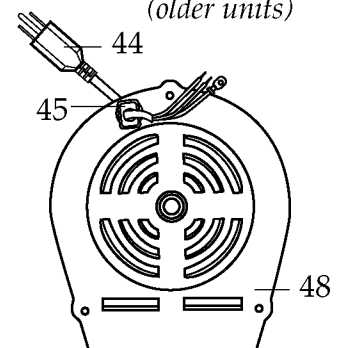
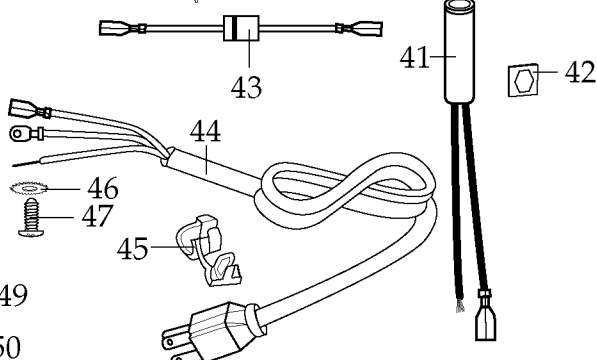
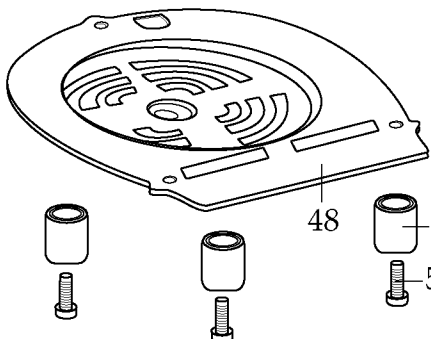
026258
Name Plate



Wiring Diagram



501164
Bottom Plate Assy.
(older units)



502756
Bottom Plate Assy.
(current production)

Catalog	Old Model	Current Model
7010G/7010S	31BL91	51BL30


 Waring Factory Service Center
 314 Ella T. Grasso Ave.
 Torrington, CT 06790
 Tele. 1-800-269-6640
 Fax 860-496-9017
 www.waringproducts.com

Illustration #	Part #	Description
1	003146	Center Lid
2	003574	Outer Lid / clover leaf
3	003504	Cap Nut
4	024224	Blade
5	003503	Bearing Cap
6	003508	Washer
7	010012	Bearing Holder
8	009724	Washer /nylon
9	003537	Washer /stainless steel
10	003509	Washer /neoprene
11	003510	Washer /linen-phen.
12	003500	Shaft
13	009780	Hex Nut
14	003573	Glass Container /40 oz.
15	012860	Stainless Steel Container /32 oz.
16	009762	Gasket
17	015055	Container Base
18	011700	Center Lid
19	013443	Outer Lid /round
20	002518	Square Drive Stud
21	003498	Jar Pad 4 Req.'d
22	018996	Jar Holder
23	019936	Housing Seal
24	012370	Screw 4 Req.'d
25	017283	Motor Bracket /plated
26	016610	Baffle Half 2 Req.'d
27	012369	Kep Nut 4 Req.'d
28	027255	Motor w/diode
29	010416	Base (top housing)
30	005240	Sems 4 Req.'d
31	016043	Switch (<i>current production</i>)
	501455	Switch (<i>older units</i>)



Illustration #	Part #	Description
32	003580	Spacer 2 Req.'d
33	007783	Screw 2 Req.'d
34	502794	Lead Assy. (<i>current production</i>)
	002145	Lead Assy. (<i>older units</i>)
35	502826	Lead Assy -brown (<i>current production</i>)
36	009051	Wire Nut 2 Req.'d
37	013731	Cable Tie
38	026261	Timer (<i>current production</i>)
	014131	Timer (<i>older units</i>)
39	026262	Screw 2 Req.'d (<i>current production</i>)
	002650	Screw 2 Req.'d (<i>older units</i>)
40	013824	Timer Knob
41	502792	Indicator Light Assy. (<i>current production</i>)
	002033	Indicator Light (<i>older units</i>)
42	012760	Push Nut
43	003262	Rectifer - diode (<i>older units</i>)
44	003565	Cord Set (<i>current production</i>)
	500830	Cord Set (<i>older units</i>)
45	013680	Strain Relief (<i>current production</i>)
46	002943	Washer /ground
47	013659	Screw /ground
48	025667	Bottom Plate Only (<i>current production</i>)
	502756	Bottom Plate Assy. (<i>current production</i>)
	501164	Bottom Plate Assy. (<i>older units</i>)
49	003569	Screw 3 Req.'d
50	002891	Foot 3 Req.'d
51	002644	Square Drive Stud
52	003507	Washer /stainless steel
53	003514	Slinger
54	002882	Rubber Coupling
55	016410	Clamp (<i>older units</i>)
56	002962	Screw (<i>older units</i>)