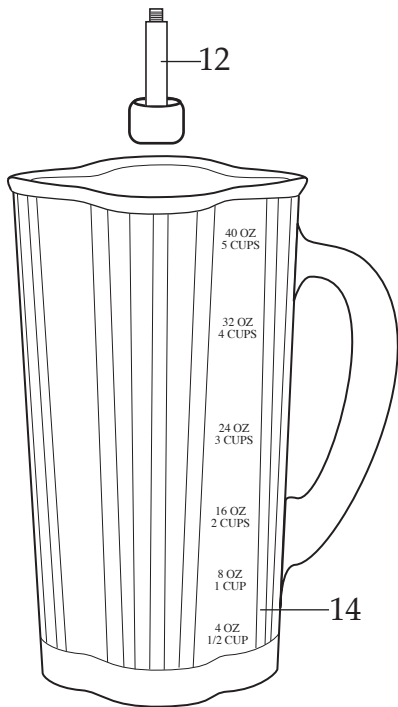
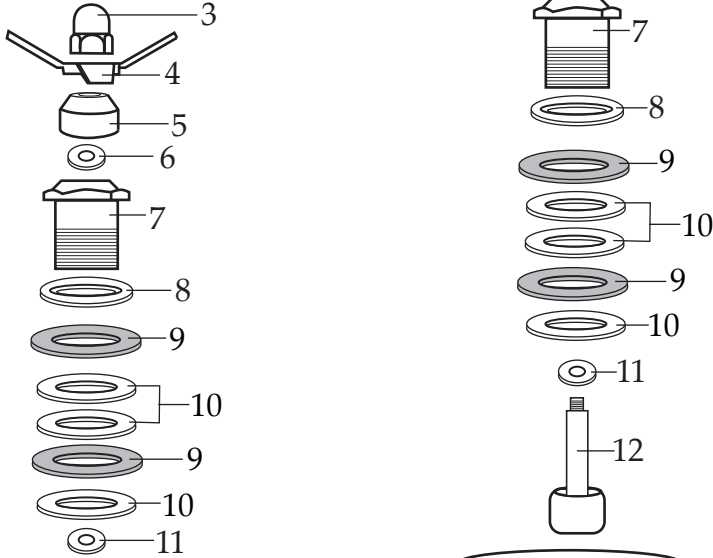
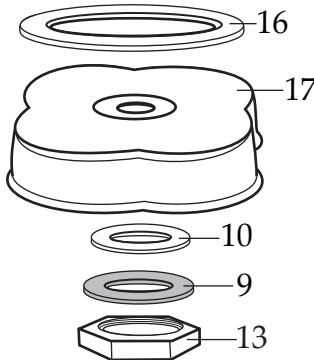
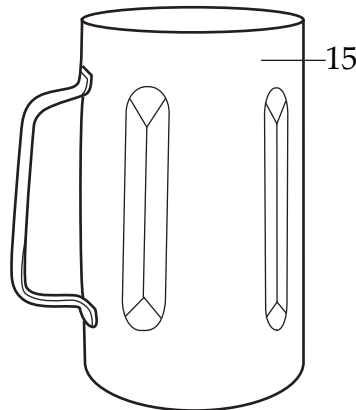
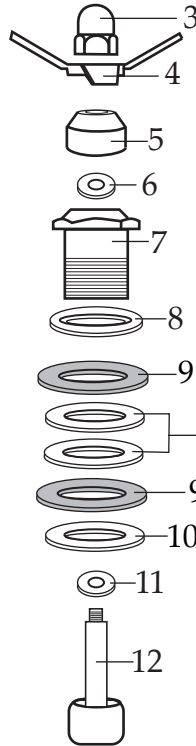


004315
2 Piece Lid
for Glass Containers



003548
Blending Assy.

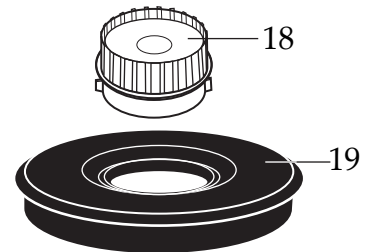
500204
Container / glass
with Blending Assy.



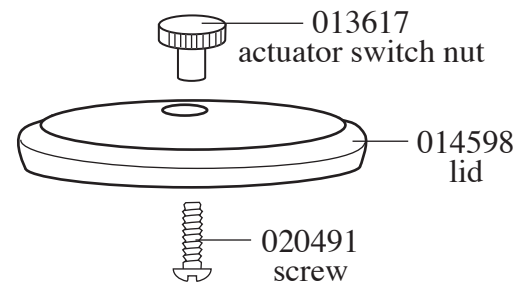
003548
Blending Assy.

500758
Container / S.S.
with Blending Assy.

7010HB /heavy duty base
7010HG /heavy duty unit w/glass container
7010HS /heavy duty unit w/glass container



500665
2 Piece Lid
for Stainless Steel Containers



501017
Stainless Steel Lid
(optional)
for Stainless Steel Container

WARING COMMERCIAL

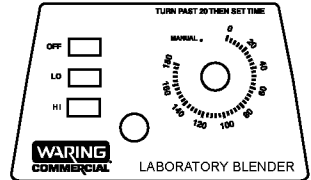
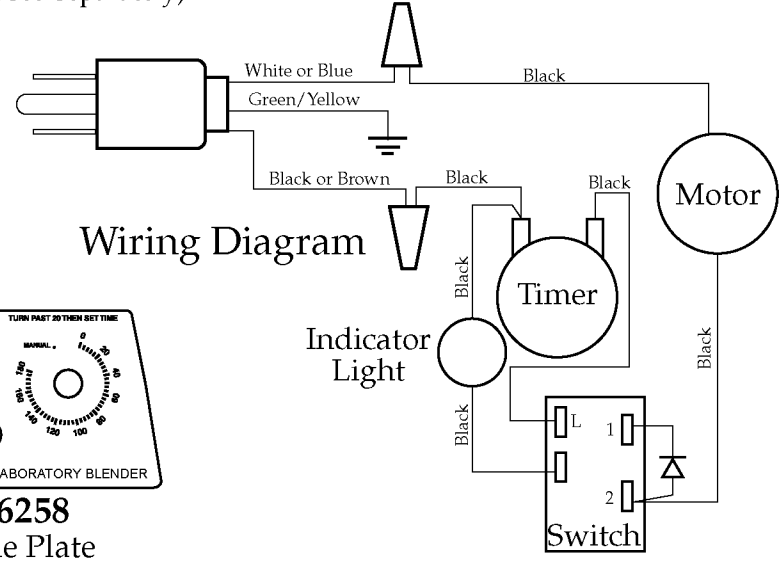
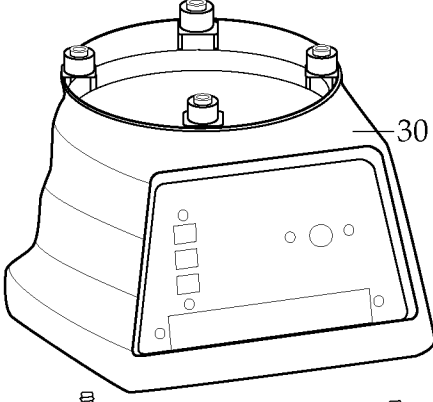
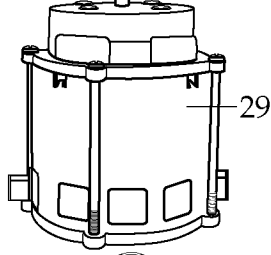
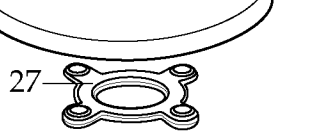
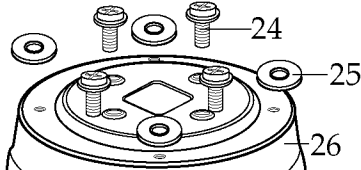
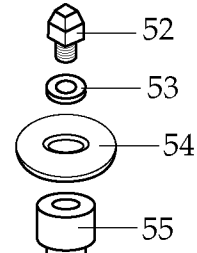
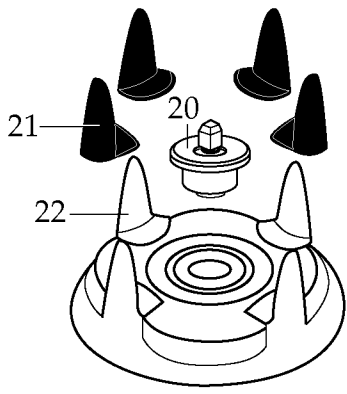
7010HB /heavy duty base

7010HG /heavy duty unit w/glass container

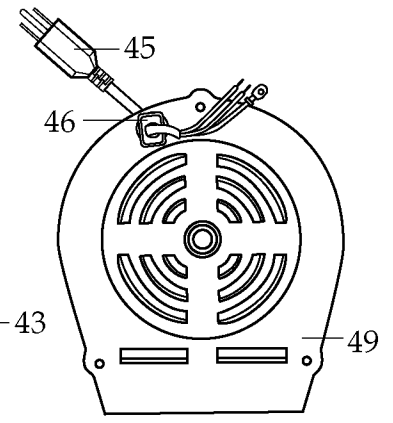
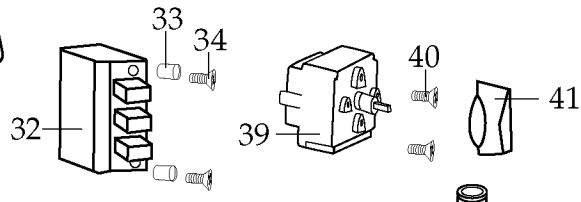
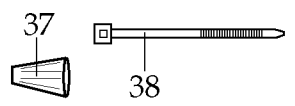
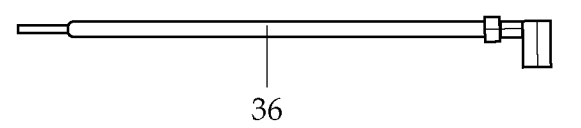
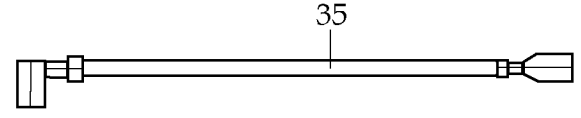
7010HS /heavy duty unit w/glass container

003559
Drive Coupling

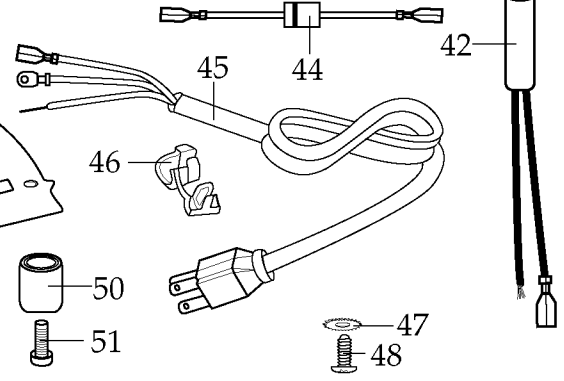
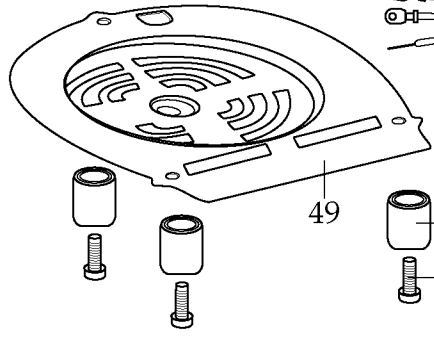
(parts that can be purchased separately)



026258
Name Plate



502756
Bottom Plate Assy.



Catalog	Old Model	Current Model
7010HB	31BL40	HGBTWTS3
7010HG	31BL40	HGBTWTG4
7010HS	31BL40	HGBTWTS3



Illustration #	Part #	Description
1	003146	Center Lid
2	003574	Outer Lid /clover leaf
3	003504	Cap Nut
4	003540	Blade
5	003503	Bearing Cap
6	003508	Washer
7	010012	Bearing Holder
8	009724	Washer /nylon
9	003537	Washer /stainless steel
10	003509	Washer /neoprene
11	003510	Washer /linen-phen.
12	003500	Shaft
13	009780	Hex Nut
14	003573	Glass Container /40 oz.
15	012860	Stainless Steel Container /32 oz.
16	009762	Gasket
17	015055	Container Base
18	011700	Center Lid
19	013443	Outer Lid /round
20	003559	Square Drive Stud
21	003498	Jar Pad 4 Req.'d
22	018996	Jar Holder
23	018596	Housing Seal
24	003578	Sems 4 Req.'d
25	003538	Washer 4 Req.'d
26	017290	Plated Motor Bracket
27	025666	Motor Spacer Plate
28	025663	Baffle 2 Req.'d (<i>current production & 2nd generation</i>)
	003513	Baffle (<i>older units</i>)
29	028156	Motor (<i>current production</i>)
	025722	Motor (<i>2nd generation & older units</i>)
30	010416	Base (top housing)
31	005240	Sems 4 Req.'d
32	016043	Switch (<i>current production & 2nd generation</i>)
	501455	Switch (<i>older units</i>)

Catalog	Old Model	Current Model
7010HB	31BL40	HGBTWTS3
7010HG	31BL40	HGBTWTG4
7010HS	31BL40	HGBTWTS3



Illustration #	Part #	Description
33	003580	Spacer 2 Req.'d
34	007783	Screw 2 Req.'d
35	502794	Lead Assy. (<i>current production</i>)
	002145	Lead Assy. (<i>older units</i>)
36	502826	Lead Assy. - brown 025722 (<i>current production & 2nd generation</i>)
37	009051	Wire Nut 2 Req.'d
38	013731	Cable Tie
39	026261	Timer (<i>current production & 2nd generation</i>)
	014131	Timer (<i>older units</i>)
40	026262	Screw 2 Req.'d (<i>current production & 2nd generation</i>)
	002650	Screw 2 Req.'d (<i>older units</i>)
41	013824	Timer Knob
42	502792	Indicator Light Assy. (<i>current production & 2nd generation</i>)
	002033	Indicator Light (<i>older units</i>)
43	012760	Push Nut
44	003262	Rectifier (diode)
45	003565	Cord Set
46	013680	Strain Relief (<i>current production</i>)
	016410	Strain Relief Clamp (<i>older units</i>)
	002962	Screw / clamp (<i>older units</i>)
47	002943	Washer
48	013659	Screw
49	025667	Bottom Plate (<i>current production & 2nd generation</i>)
	004794	Bottom Plate (<i>older units</i>)
	502756	Bottom Plate Assy. with Cord Set (<i>current production & 2nd generation</i>)
50	002891	Foot 3 Req.'d
51	003569	Screw 3 Req.'d
52	003515	Square Drive Stud
53	003507	Washer /stainless steel
54	003514	Slinger
55	003558	Coupling

Items Not Shown
015902 - Snap Bushing (*older units*)