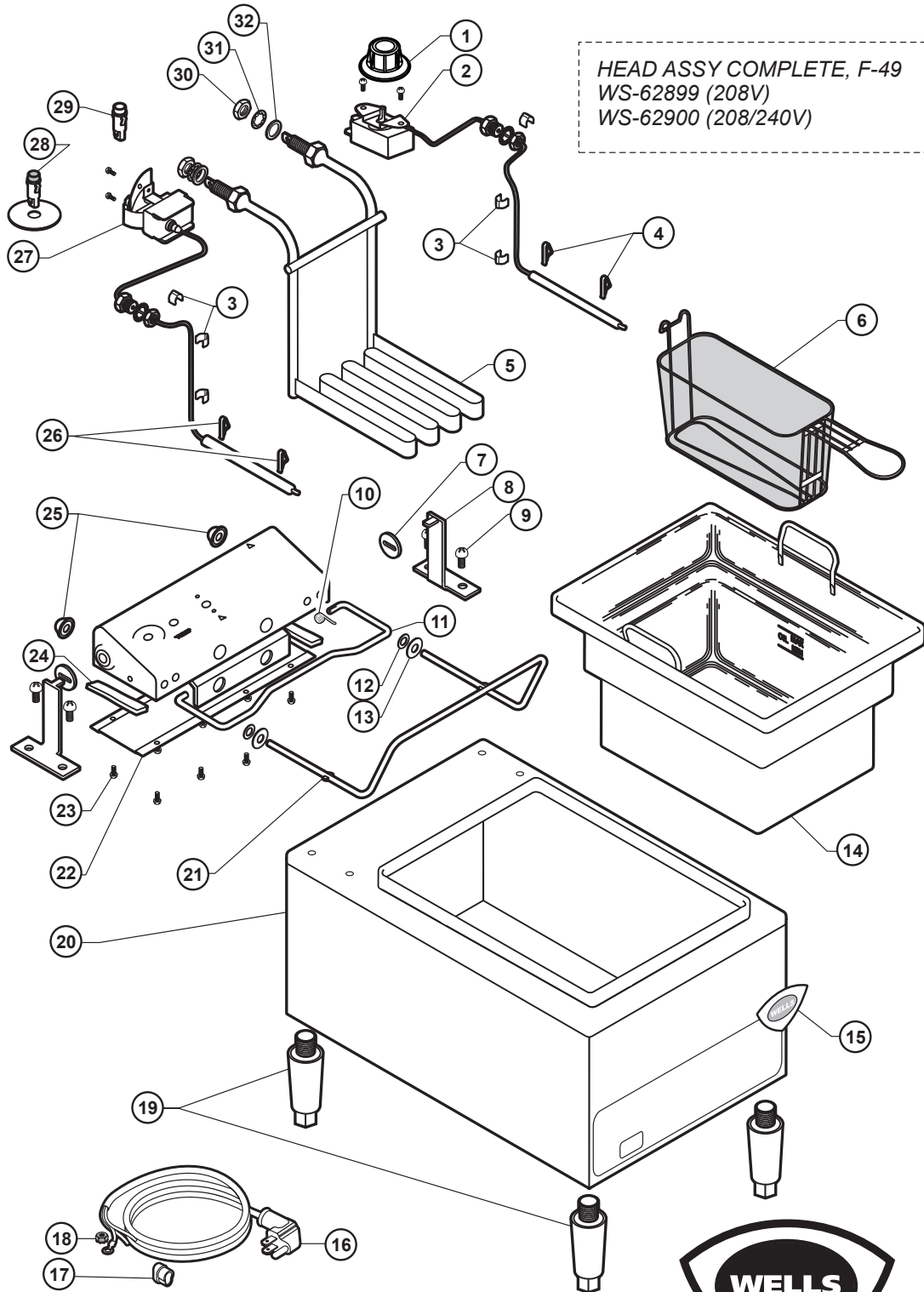


EXPLODED VIEW: F49

F49 COUNTERTOP SINGLE-HEAD FRYER



Model: F49
COUNTERTOP SINGLE HEAD FRYER

PL301

IL1865 Rev. A 8/17/09



301 p/n 2M-307588 Owners Manual Counter Top Standard Electric Fryers

F49 COUNTERTOP SINGLE-HEAD FRYER			Part of Head Assy
Fig No.	Part Number	Description	
1	2R-34066	KNOB CONTROL ASSY	X
2	2T-30133	THERMO CTRL	X
3	2C-30157	CLIP CAPILLARY	X
4	2C-43665	CLAMP THERMO BULB F49	X
5	2N-42891UL	ELEM 208V 4600W	X
	2N-42892UL	ELEM 240V 4600W	X
6	2B-43688	BASKET WIRE TWIN	
	2B-43689	BASKET WIRE SINGLE FULL	
7	E7-33436	WASHER SLOTTED PIVOT BRKT	
8	E7-33435	BRKT PIVOT F49	
9	2C-33890	SCREW 12-24X3/4PH PAN ROL	
10	2P-32428	SPRING SUPPORT ROD	X
11	2A-32427	ROD SUPPORT SHORT HEAD	X
12	2C-31208	WASHER NEOPRENE BASKET	X
13	2C-31207	WASHER FLAT SS BASKET ROD	X
14	2D-301344	POT ASSY - F SERIES FRYER	
15	2M-300534	TRADEMARK DOMED LABEL	
16	2E-35259	CORD SET 250V 30A 12G 6-30P	X
17	2K-45788	STRAIN RELIEF SR7W-2 LLF	X
18	2C-35736	NUT 8-32 HEX KEPS MS GREEN	
19	2R-Y5092	FEET ADJ 4GRAY 3/8-16 PK, PLASTIC	
	2A-Z0314	FEET ADJ METAL 4IN	
20	DD-34206	SHELL ASSY F49	
21	WS-51206	BASKET ROD	X
22	E7-34323	COVER CONTROL BOX F49	X
23	2C-35566	SCREW 6-32X1/4 PH TR HD	X
24	2I-35747	GASKET DRWR RWS CLOSED CE	X
25	2P-34452	CAP PUSH ON TYPE BASKET	X
26	2C-49689	CLAMP BULB SS F49RT	X
27	WS-58656	HI-LIMIT MAN RESET 440°F	X
28	2J-31157	LIGHT SIGNAL RED	X
29	2J-30516	LIGHT SIGNAL AMBER	X
30	2C-30172	NUT 7/8-14 HEX	X
31	2C-30176	WASHER LOCK FTG TUBE FRAM	X
32	2I-Z12311	GASKET-FIBER WASHER	X
NI	WS-62899	HEAD ASSY F49 208V	
NI	WS-62900	HEAD ASSY F49 208/240	
NI	WS-Z21128	RELAY 240V	