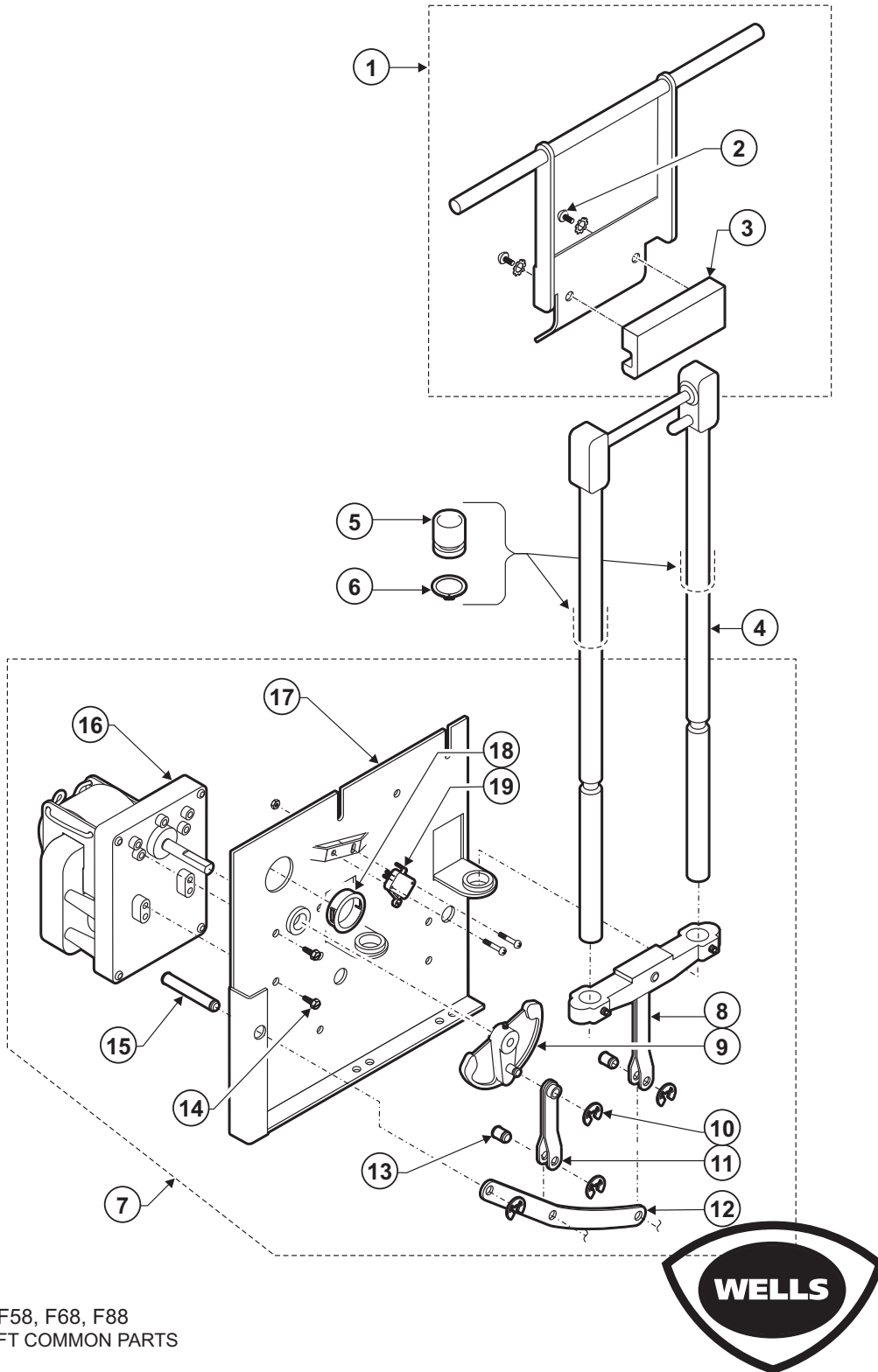


# EXPLODED VIEW: AUTOLIFT COMMON PARTS

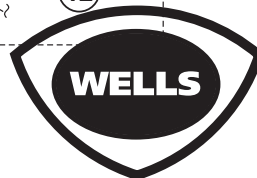
## AUTOLIFT COMMON PARTS



Model: F58, F68, F88  
AUTOLIFT COMMON PARTS

PL302

IL1778 Rev. A 5/19/09

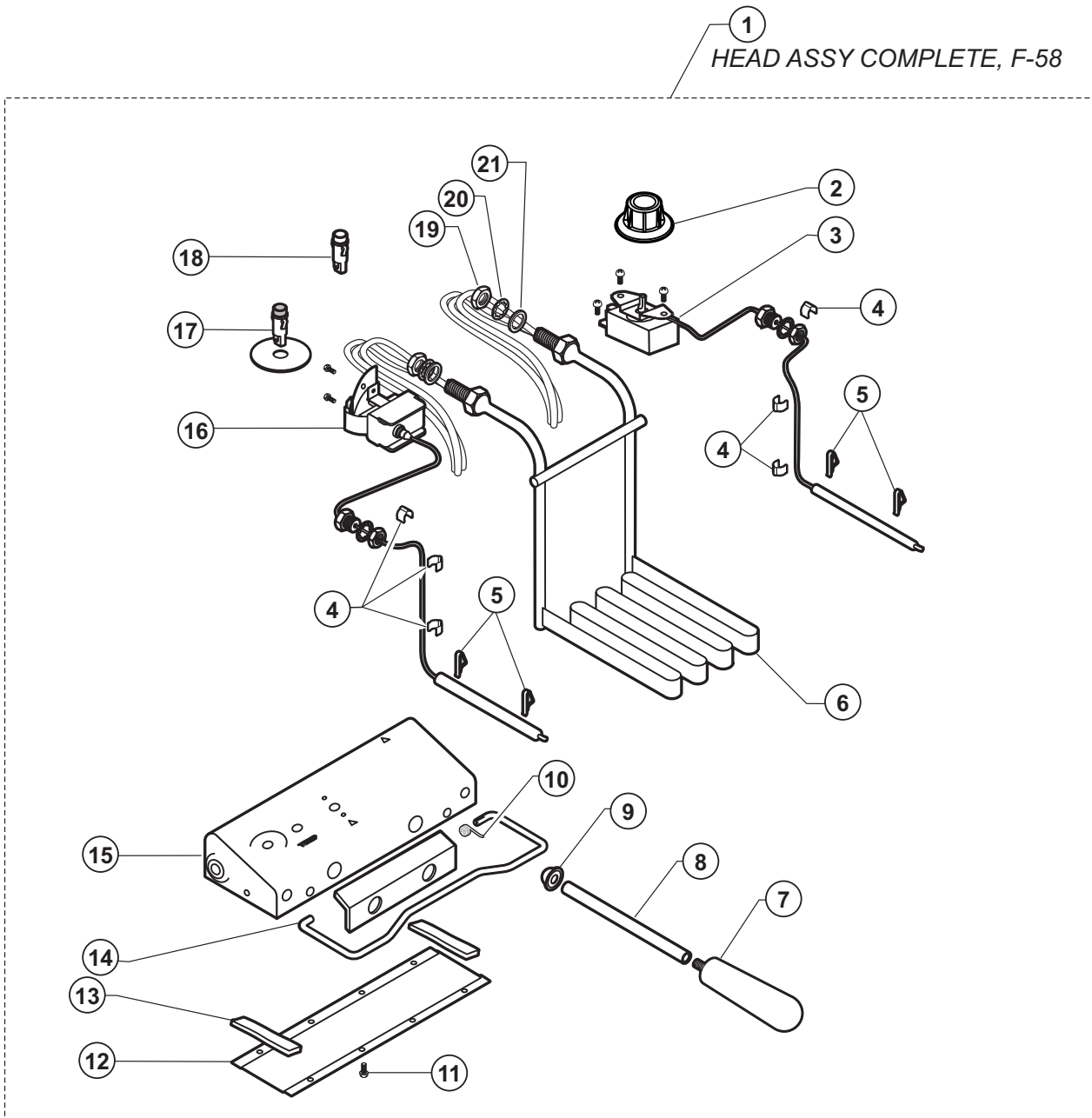


## PARTS LIST: AUTOLIFT COMMON PARTS

<b>F58 F68 F88 ELECTRIC FRYER\ AUTOLIFT COMMON PARTS</b>			
<b>Fig No</b>	<b>Part No</b>	<b>Qty</b>	<b>Description</b>
1	E7-WL0035	1/2	LIFT BRACKET ASSEMBLY
2	2C-35487	AR	SCREW 8-32X5/16 PH TR HD
3	DD-505658	1/2	BLOCK PIVOT SS F-58
4	2A-31146	1/2	ROD LIFT BSKT ASSY
5	2I-30231	2	SEAL OIL PTFE LARGE
6	2I-31145	2	RETAINER OIL SEAL
7	WS-50850	1/2	MOTOR LIFT ASSY
8	E7-30543	1/2	ARM CROSS ASSY
9	2A-30207	1/2	CRANK CASTING SHORT
10	2C-30222	4/8	RETAINER E-RING .179ID
11	E7-30878	1/2	ARM CRANK LEVER ASSY
12	2D-30215	1/2	BEARING LEVER - FRYER
13	2A-30876	2/4	PIN LEVER MOTOR ASSY.
14	2C-35530	4/8	SCREW 8-32X3/8PH RD
15	2A-30205	1/2	PIN PIVOT
16	2U-30233	1/2	MOTOR LIFT ELECT FRYER
17	E7-31259	1/2	BRKT AUTOLIFT ROHS
18	2K-31040	1/2	BUSHING HEYCO 7/8 OD
19	2E-30198	1/2	SWITCH UNIMAX

# EXPLODED VIEW : F58 FRY HEAD COMPONENTS

F58 COUNTERTOP SINGLE-HEAD AUTOLIFT FRYER - FRY HEAD COMPONENTS



Model: F58 COUNTERTOP SINGLE-HEAD AUTOLIFT FRYER  
 FRY HEAD COMPONENTS

PL302



IL1779 Rev. A 5/19/09

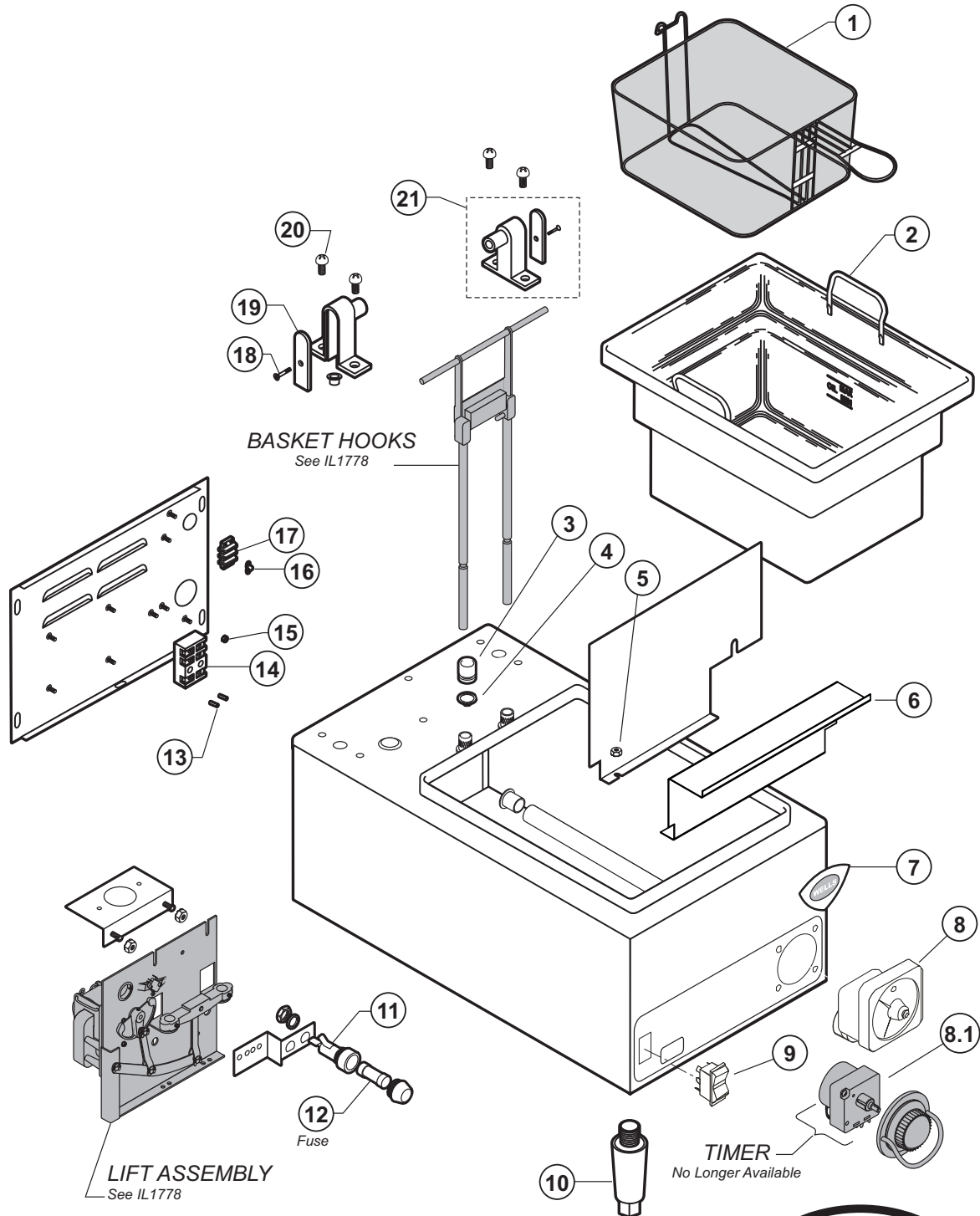
M302 p/n 2M-307589 Owners Manual Electric Countertop Autolift Fryers

## PARTS LIST: F58 FRY HEAD COMPONENTS

<b>F58 COUNTERTOP SINGLE-HEAD ELECTRIC FRYER\ FRY HEAD COMPONENTS</b>			
<b>Fig No</b>	<b>Part No</b>	<b>Qty</b>	<b>Description</b>
1	WS-506902	1	KIT RETRO HEAD ASSY 208V
	WS-506903		KIT RETRO HEAD ASSY 240V
2	2R-37882	1	KNOB CONTROL ASSY AUTOFRY
3	WS-55510	1	THERMO CONTROL FRYER
4	2C-30157	6	CLIP CAPILLARY
5	2C-49689	4	CLAMP BULB SS
6	2N-42842UL	1	ELEM 208V 5750W
	2N-42866UL		ELEM 240V 5750W
7	2R-30211	1	HANDLE LIFT GRAY
8	2K-33358	1	ADAPTER HANDLE F58
9	2P-34452	1	CAP PUSH ON TYPE BASKET
10	2P-32428	1	SPRING SUPPORT ROD
11	2C-35566	10	SCREW 6-32X1/4 PH TR HD
12	DD-31202	1	COVER CONTROL BOX S/SAF
13	2I-35747	2	GASKET FRYER HEAD 3/8X3
14	2A-32427	1	ROD SUPPORT SHORT HEAD
15	E7-30464	1	BOX CONTROL ASSY
16	WS-58656	1	THERMO HI-LIMIT MAN RESET
17	2J-31157	1	LIGHT SIGNAL RED
18	2J-30516	1	LIGHT SIGNAL AMBER
19	2C-30172	2	NUT 7/8-14 HEX
20	2I-Z12311	2	GASKET -FIBER WASHER
21	2C-30176	2	WASHER LOCK FTG TUBE FRAM
NI	WS-Z21128	1	RELAY SERVICE KIT

# EXPLODED VIEW: F58 CABINET COMPONENTS

## F58 COUNTERTOP SINGLE-HEAD AUTOLIFT FRYER - CABINET COMPONENTS



Model: F58 Countertop Single Head Autolift Fryer  
Cabinet Components

PL302



IL1780 Rev. B 11/03/10

M302 p/n 2M-307589 Owners Manual Electric Countertop Autolift Fryers

## PARTS LIST: F58 CABINET COMPONENTS

<b>F58 COUNTERTOP SINGLE-HEAD ELECTRIC FRYER\ CABINET COMPONENTS</b>			
<b>Fig No</b>	<b>Part No</b>	<b>Qty</b>	<b>Description</b>
1	2B-43688	2	BASKET WIRE TWIN F58 F88
	2B-43689	1	BASKET WIRE F55, SINGLE
2	2D-301344	1	FRY POT "F" SERIES FRYERS
3	2I-30231	2	SEAL OIL PTFE LARGE
4	2I-31145	2	RETAINER OIL SEAL
5	2C-31053	4	NUT 8-32 KEPS MS NICKEL
6	E7-WL0144	1	BAFFLE ASSY F58
7	2M-300534	1	TRADEMARK DOMED LABEL
8	2P-Z13854	1	TIMER 40MIN 240V DPST
	PS-WL0154	1	TIMER RETROFIT KIT 48469
8.1	PS-WL0149	1	TIMER RETROFIT KIT 30227
9	2E-74098	1	SWITCH 2 POLE 50A 50/60HZ
10	2R-Y5092	4	FEET ADJ 4GRAY 3/8-16, PLASTIC
	2A-35483		FEET ADJ METAL 4IN
11	2E-34769	1	FUSEHLDR HPG-EE 10A 240V
12	2E-34768	1	FUSE SC-10 A0A 300V
13	2C-41974	2	NUT 8-32 HEX 7/8 LONG ALU
14	2E-33068	1	TERM BLOCK FLAME SENSOR
15	2C-35736	1	NUT 8-32 HEX KEPS MS GREEN
16	2E-34005	1	JUMPER FLAME SENSOR TERM
17	2E-33068	1	TERM BLOCK FLAME SENSOR
18	2C-31717	2	SCREW 8-32X7/8 PH FL ROLO
19	2A-32806	2	COVER PIVOT BRKT TUMBLED
20	2C-33890	4	SCREW 12-24X3/4PH PAN ROL
21	WS-50183	2	HINGE BRACKET END