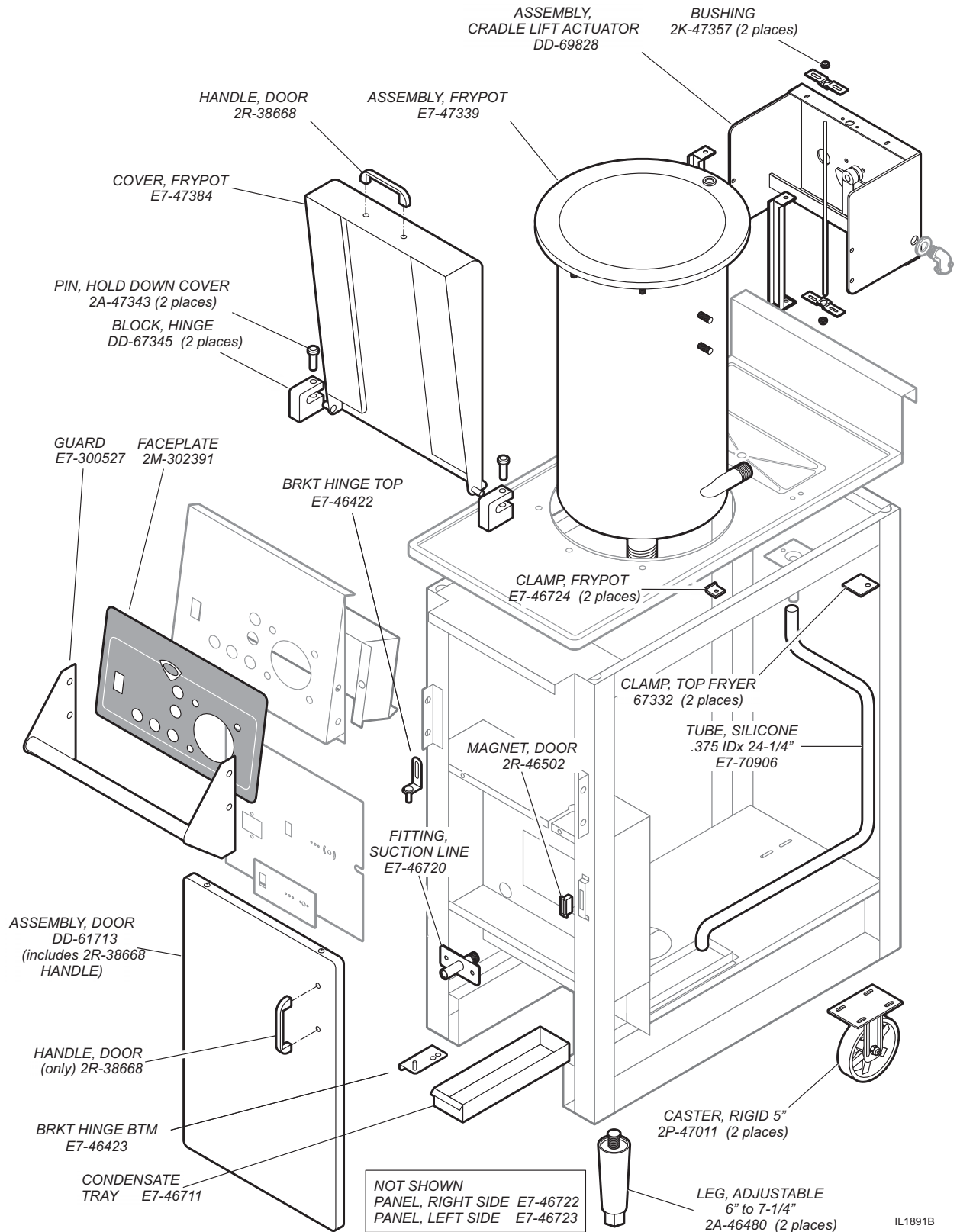


EXPLODED VIEW & PARTS LIST

WFAE-30F CABINET COMPONENTS

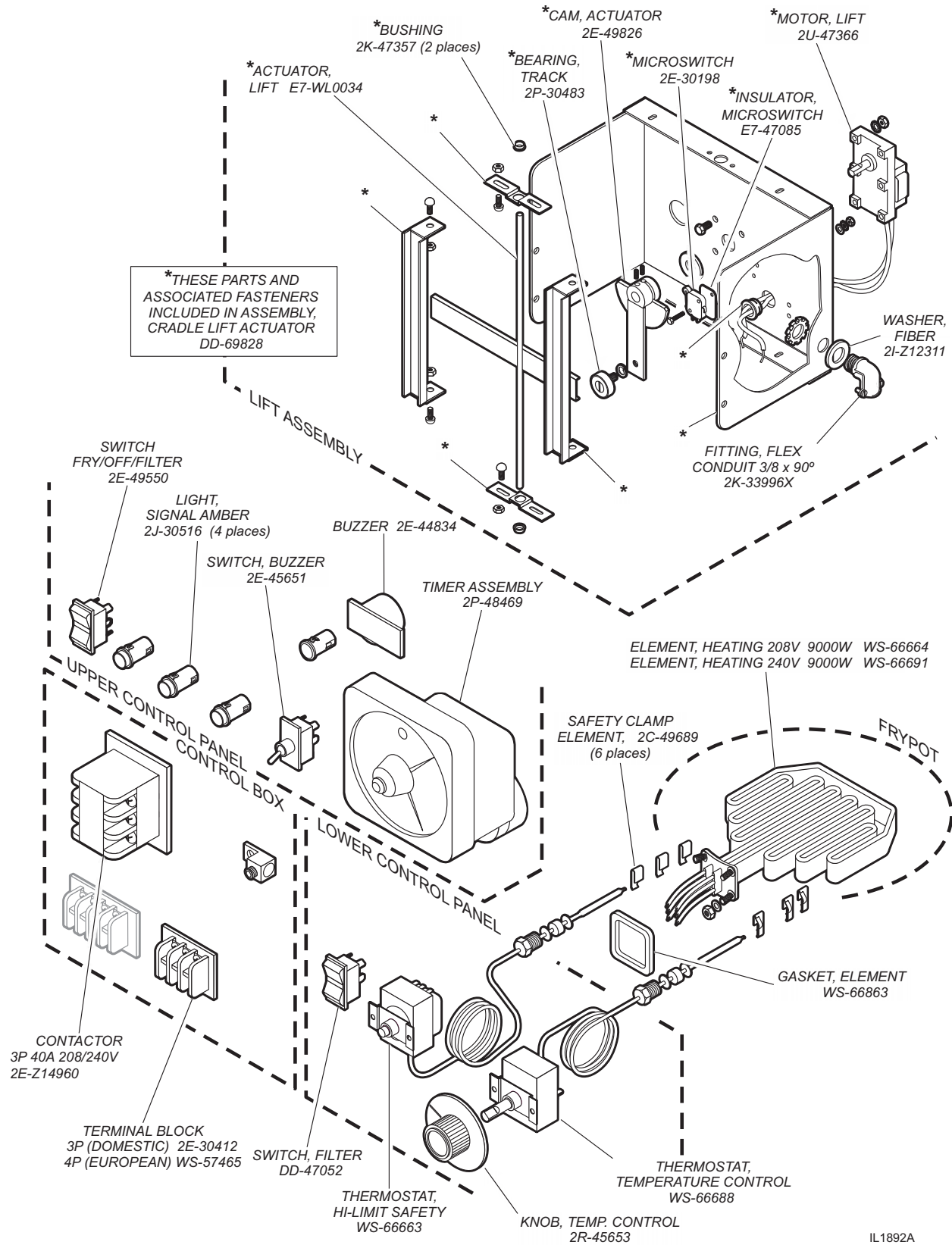


361 2M-301669 Owners Manual WFAE-30F Free-Standing 30# Electric Fryer

IL1891B

EXPLODED VIEW & PARTS LIST

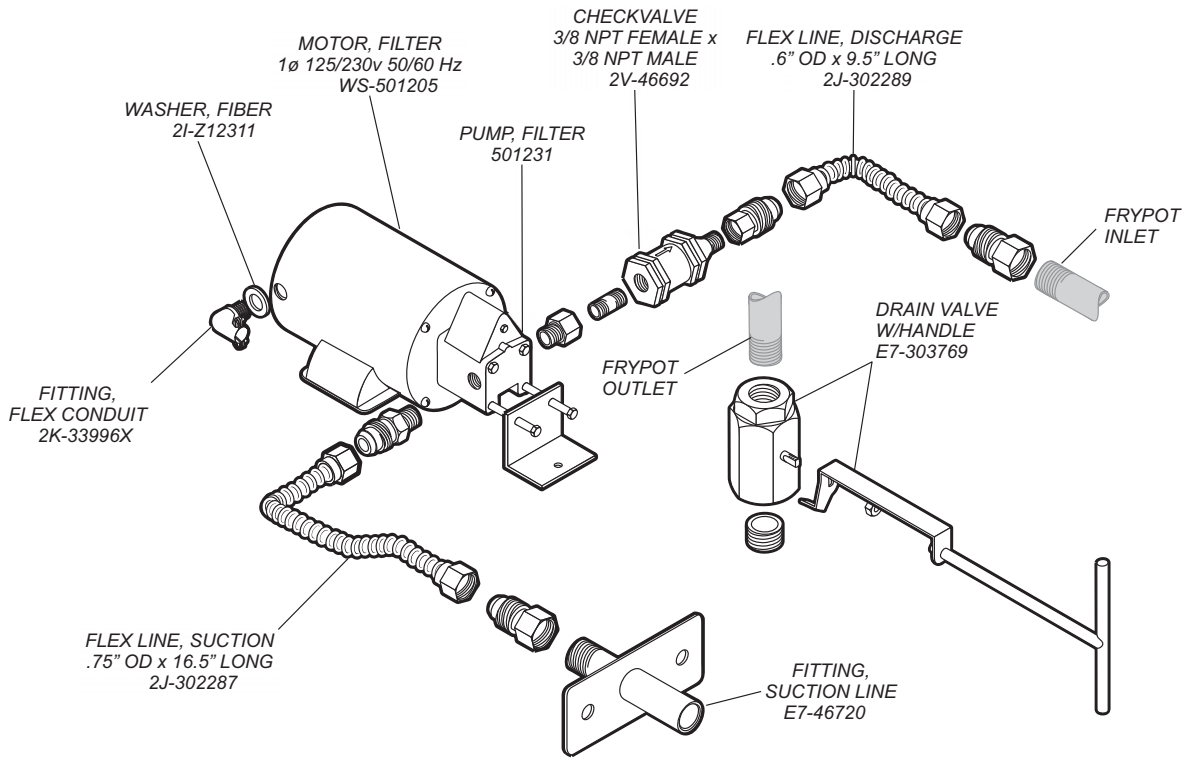
LIFT ACTUATOR & MOTOR ASSEMBLY & HEATING ELEMENTS & ELECTRICAL CONTROL COMPONENTS



361 2M-301669 Owners Manual WFAE-30F Free-Standing 30# Electric Fryer

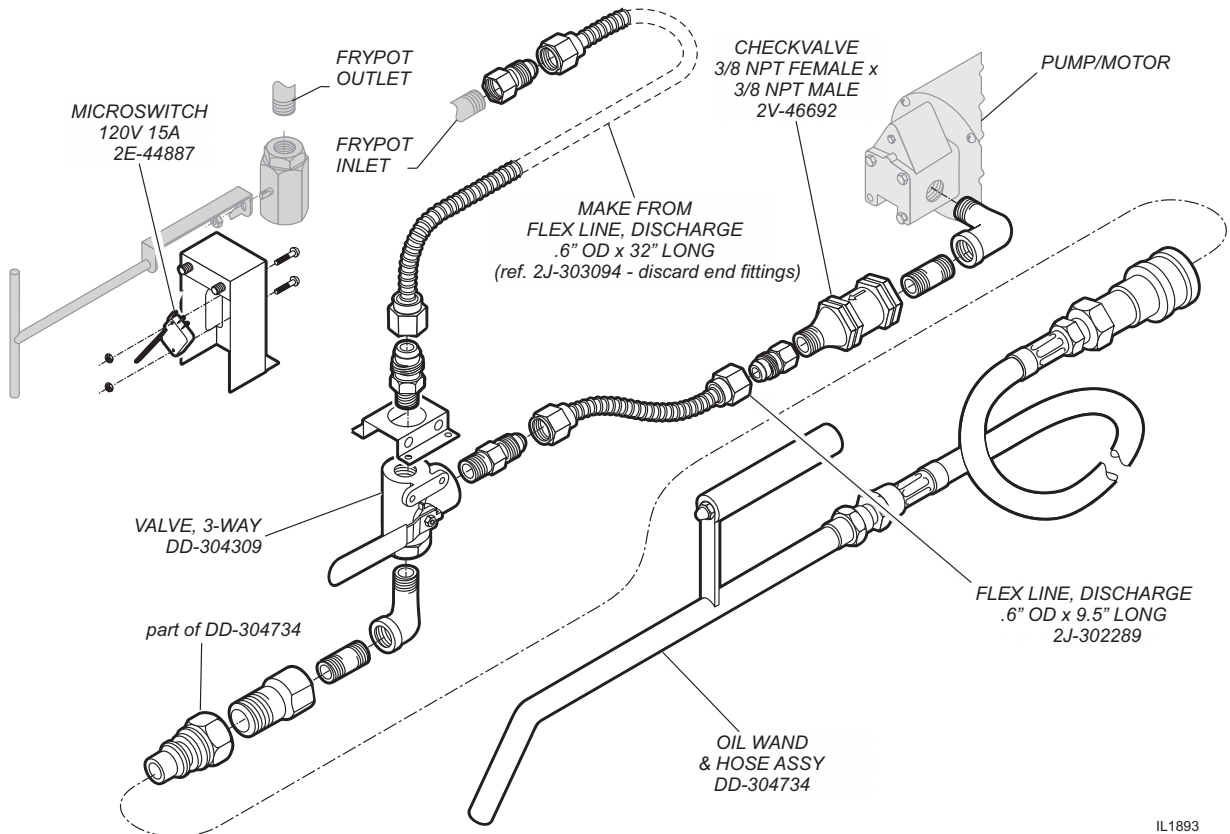
IL1892A

EXPLODED VIEW & PARTS LIST



STANDARD FRYER

FRYER W/ OPTIONAL OIL WAND & DRAIN SAFETY SWITCH

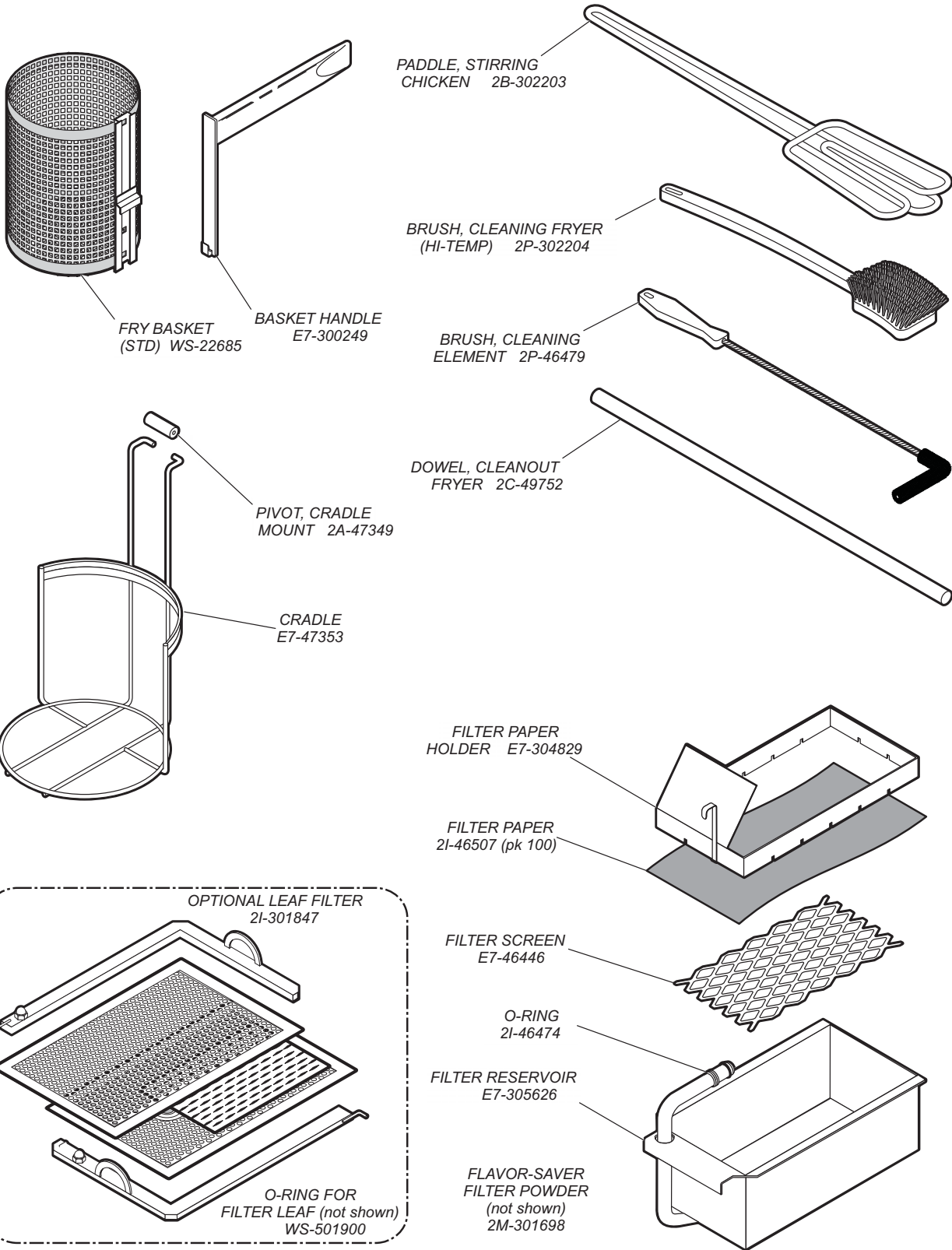


361 2M-301669 Owners Manual WFAE-30F Free-Standing 30# Electric Fryer

IL1893

EXPLODED VIEW & PARTS LIST

WFAE-30F ACCESSORIES & REMOVEABLE COMPONENTS



361 2M-301699 Owners Manual WFAE-30F Free-Standing 30# Electric Fryer