

WINSTON CVAP MODEL HA4522 Holding Cabinet



HA4522 Holding Cabinet

Parts Identification Manual

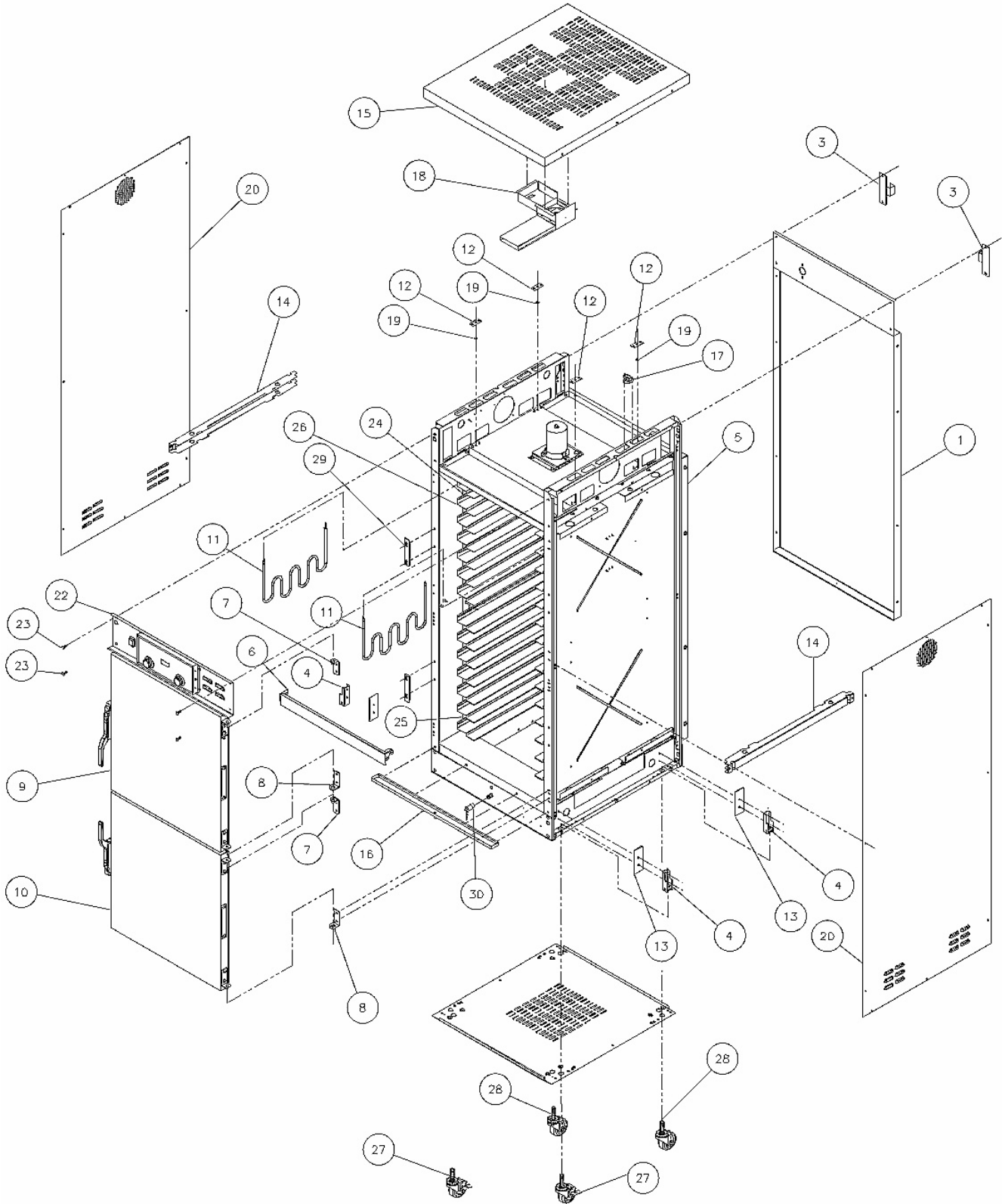


HA4522-HR-3

Table of Contents

Main Assembly.....	page 1-2
Cabinet Assembly.....	page 3
Escutcheon and Control Assembly.....	page 4
Top Interior Motor Assembly.....	page 5
Door Assembly – Top	page 6
Door Assembly – Bottom	page 7
Schematic.....	page 8

WINSTON CVAP MODEL HA4522 Holding Cabinet



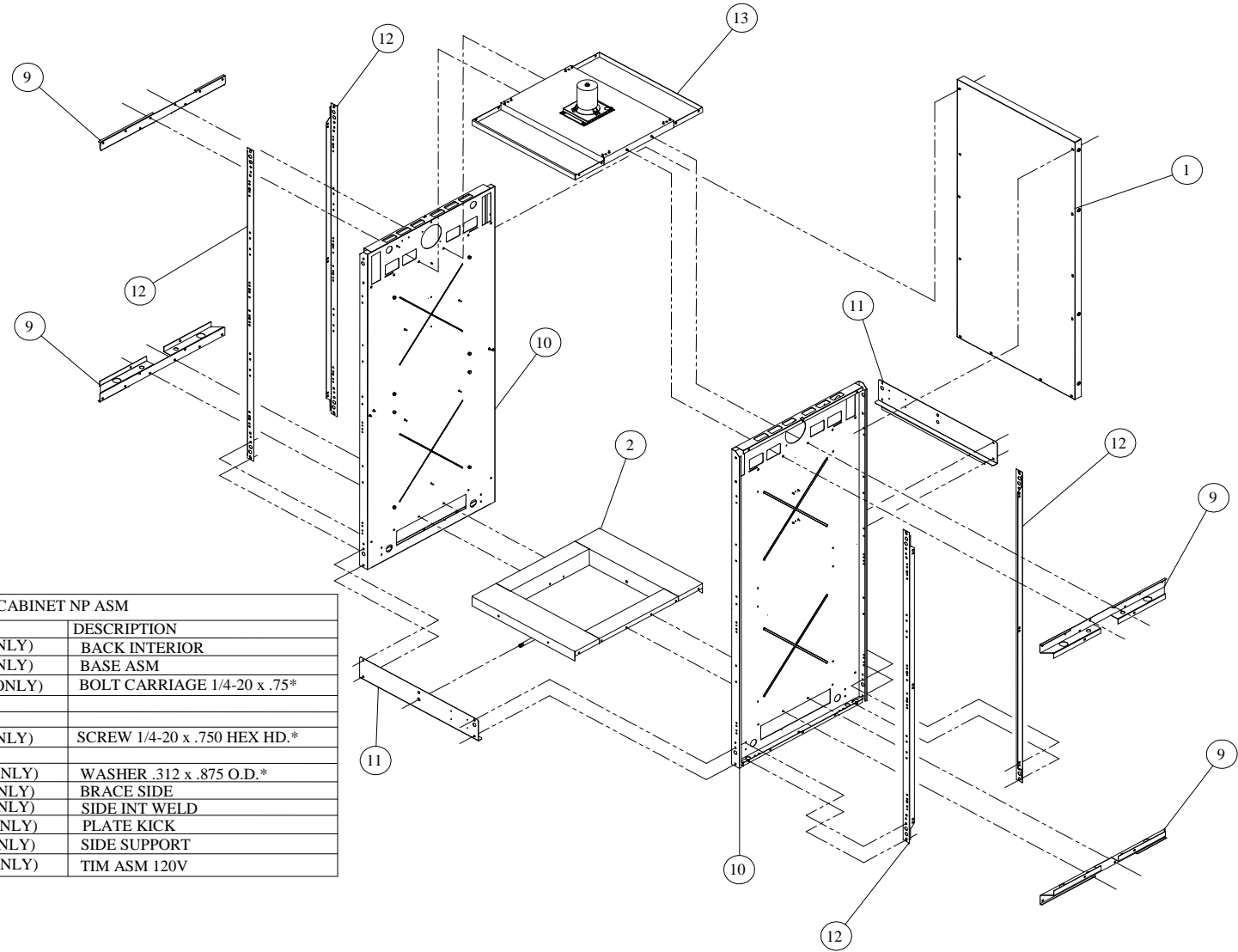
Winston Industries, LLC - 2345 Carton Dr. - Louisville - Kentucky - 40299

www.cvap.com 1-800-234-5286 502-495-5400 FAX 502-495-5458 www.winstonindustries.com
Page 1 of 8 DOC050408Arev04_05-28-08_HA4522_exploded_view.doc

WINSTON CVAP MODEL HA4522 Holding Cabinet

HA4522 MAIN ASM			
SYM	QTY	PART NO.	DESCRIPTION
1	1	23N02 (REF ONLY)	BACK EXTERIOR
2	1	29L01 (REF ONLY)	BOTTOM
3	2	1062N01 (REF ONLY)	BRACKET CORD WELD
4	4	PS2421-4	BRACKET LEG WELD
5	1	2333N12 (REF ONLY)	CAP NP ASM
6	1	254M02 (REF ONLY)	DIVIDER DOOR
7	2	PS2116 or PS2703 (SLF CLS)	HINGE CABINET TOP
8	2	PS2116 or PS2703 (SLF CLS)	HINGE CABINET BOTTOM
9	1	3112M24 (REF ONLY)	DOOR ASM TOP W/O WINDOW
9	1	3112SN32 (REF ONLY)	DOOR ASM TOP W/WINDOW
10	1	3112M25 (REF ONLY)	DOOR ASM BOTTOM W/O WINDOW
10	1	3112N33 (REF ONLY)	DOOR ASM BOTTOM W/WINDOW
11	2	PS2067	HEATER AIR
12	4	204M01 (REF ONLY)	RETAINER O-RING HEATER
13	4	5577U01 included w/ PS2421-4	PLATE REINFORCEMENT LEG BRACKET
14	2	PS2145	SUPPORT SIDE INTERIOR HORIZONTAL
15	1	248R1 (REF ONLY)	TOP EXTERIOR
16	1	PS2789 (PT), PS2790 (NPT)	TROUGH WELD
17	1	PS2199	THERMOSTAT HIGH LIMIT (250F)
18	1	6255R27 (REF ONLY)	DUCT AIR ASM
19	4	PS1784-3	O-RING
20	2	37V10 (REF ONLY)	SIDE EXTERIOR
21	37	PS1271-6	GROMMET SCREW #10
22	1	P 2332R43 (REF ONLY)	ESC/CTRL ASM 120V
23	8	4107V119 (REF ONLY)	BOLT CARRIAGE 1/4-20 x .75
24	2	209R21 (REF ONLY)	FLUE TOP
25	2	209R22 (REF ONLY)	FLUE BOTTOM
26	28	PS2305	CHANNEL REMOVABLE
27	2	PS2146	CASTER SWIVEL LOCK 3" T-STEM
27	2	PS2142	CASTER SWIVEL LOCK 5" T-STEM
28	2	PS2540-4	CASTER SWIVEL NON-LOCK 3" T-STEM QTY 4
28	2	PS2141	CASTER SWIVEL NON-LOCK 5" T-STEM
29	2	STRIKE PLATE	SUPPLIED WITH DOOR LATCH
30	1	PS1654	DRAIN CAP ASM
N/A	1	02113X53 (REF ONLY)	EXTENSION CORD FOR AIR PROBE
N/A	1	02113X57 (REF ONLY)	EXTENSION CORD FOR WATER PROBE
N/A	1	PS2066 (120V), PS2098 (240V)	MOTOR AND FAN COOLING
N/A	1	PS1595	POWER CORD
N/A	1	PS2255	PROBE AIR
N/A	1	PS2177	PROBE WATER
N/A	1	PS2883	SENSOR WATER
N/A	1	PS2755 (120V), PS2754 (240V)	SOLENOID/VALVE AUTO WATER FILL

WINSTON CVAP MODEL HA4522 Holding Cabinet



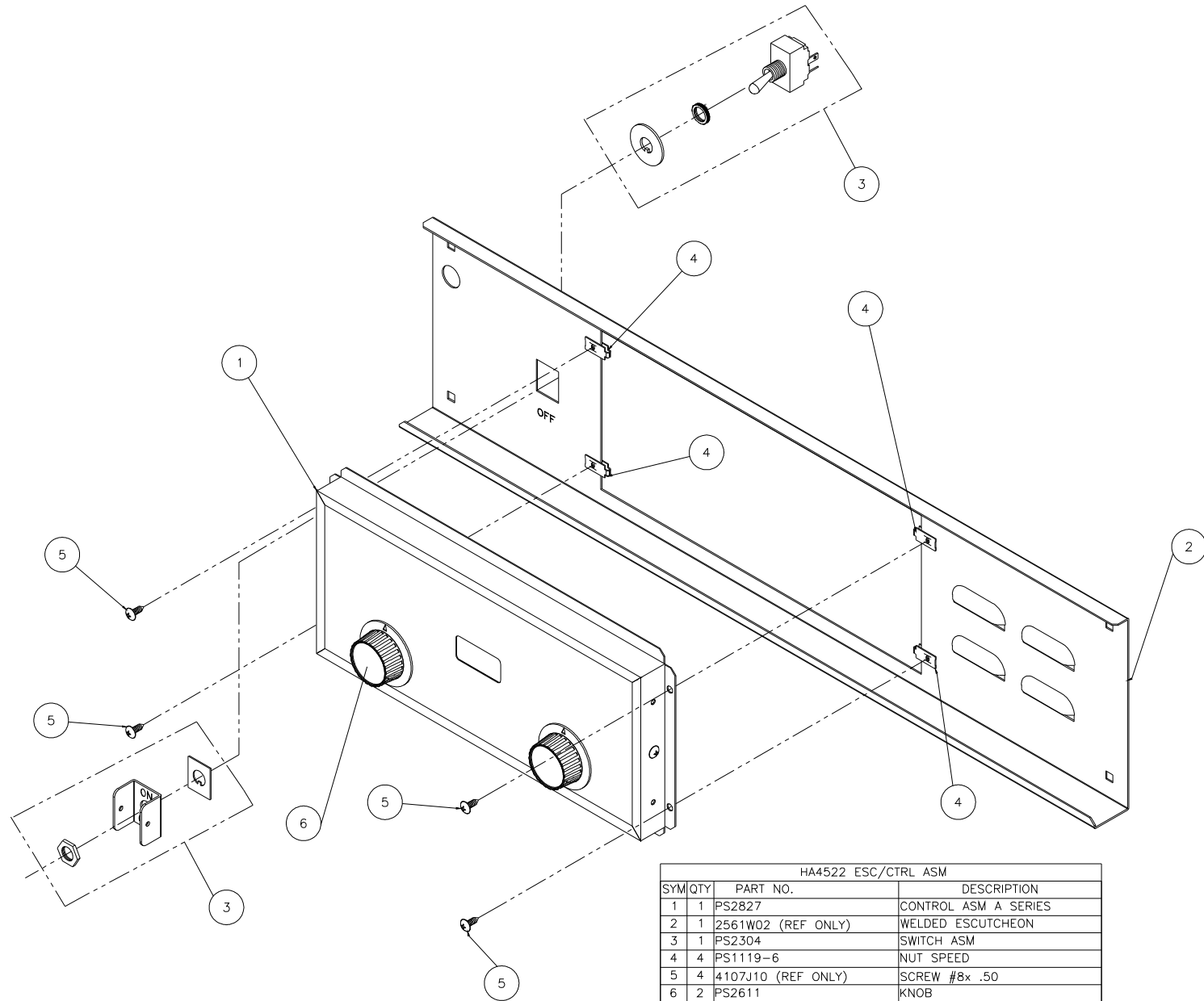
HA4522 CABINET NP ASM			
SYM	QTY	PART NO.	DESCRIPTION
1	1	00021L01 (REF ONLY)	BACK INTERIOR
2	1	02331T57 (REF ONLY)	BASE ASM
3	8	04107V119 (REF ONLY)	BOLT CARRIAGE 1/4-20 x .75*
6	20	04107L66 (REF ONLY)	SCREW 1/4-20 x .750 HEX HD.*
8	8	04023W23 (REF ONLY)	WASHER .312 x .875 O.D.*
9	4	00079X08 (REF ONLY)	BRACE SIDE
10	2	00306V17 (REF ONLY)	SIDE INT WELD
11	2	00233M01 (REF ONLY)	PLATE KICK
12	4	00244V18 (REF ONLY)	SIDE SUPPORT
13	1	06255M04 (REF ONLY)	TIM ASM 120V

* = NOT SHOWN

Winston Industries, LLC - 2345 Carton Dr. - Louisville - Kentucky - 40299

www.cvap.com 1-800-234-5286 502-495-5400 FAX 502-495-5458 www.winstonindustries.com

WINSTON CVAP MODEL HA4522 Holding Cabinet

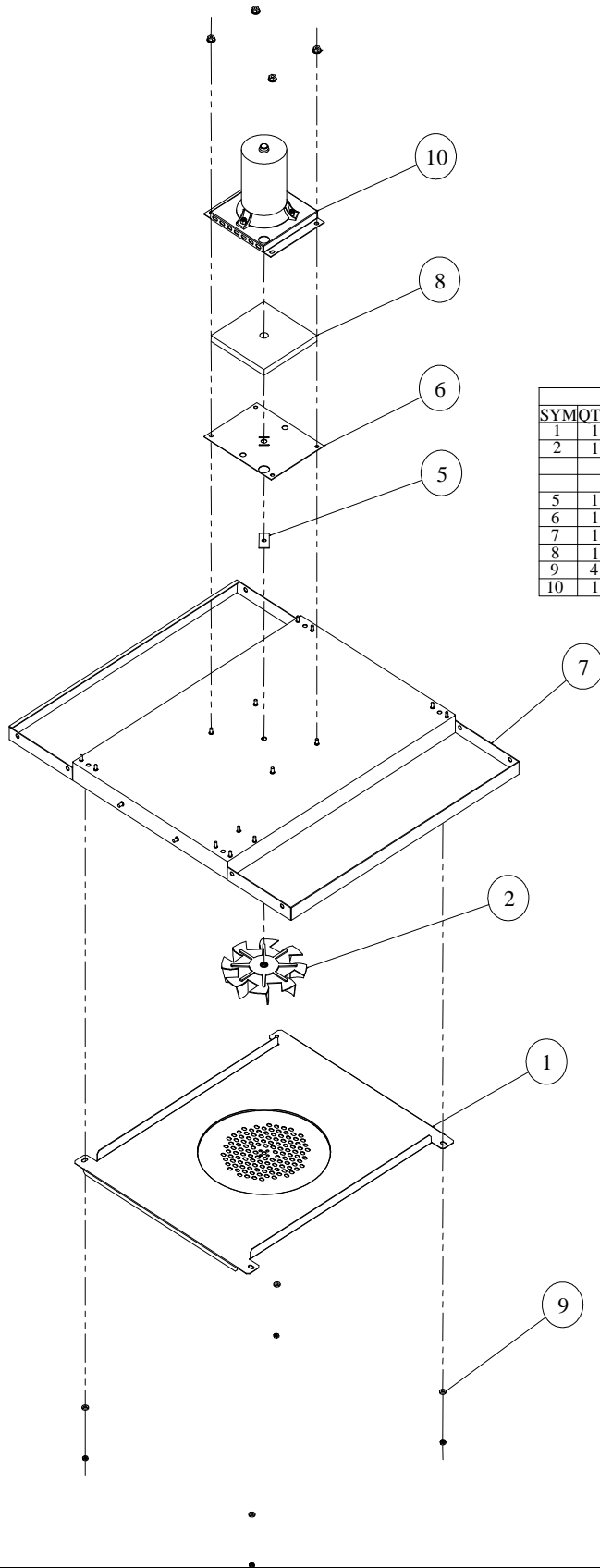


HA4522 ESC/CTRL ASM			
SYM	QTY	PART NO.	DESCRIPTION
1	1	PS2827	CONTROL ASM A SERIES
2	1	2561W02 (REF ONLY)	WELDED ESCUTCHEON
3	1	PS2304	SWITCH ASM
4	4	PS1119-6	NUT SPEED
5	4	4107J10 (REF ONLY)	SCREW #8x .50
6	2	PS2611	KNOB

Winston Industries, LLC - 2345 Carton Dr. - Louisville - Kentucky - 40299

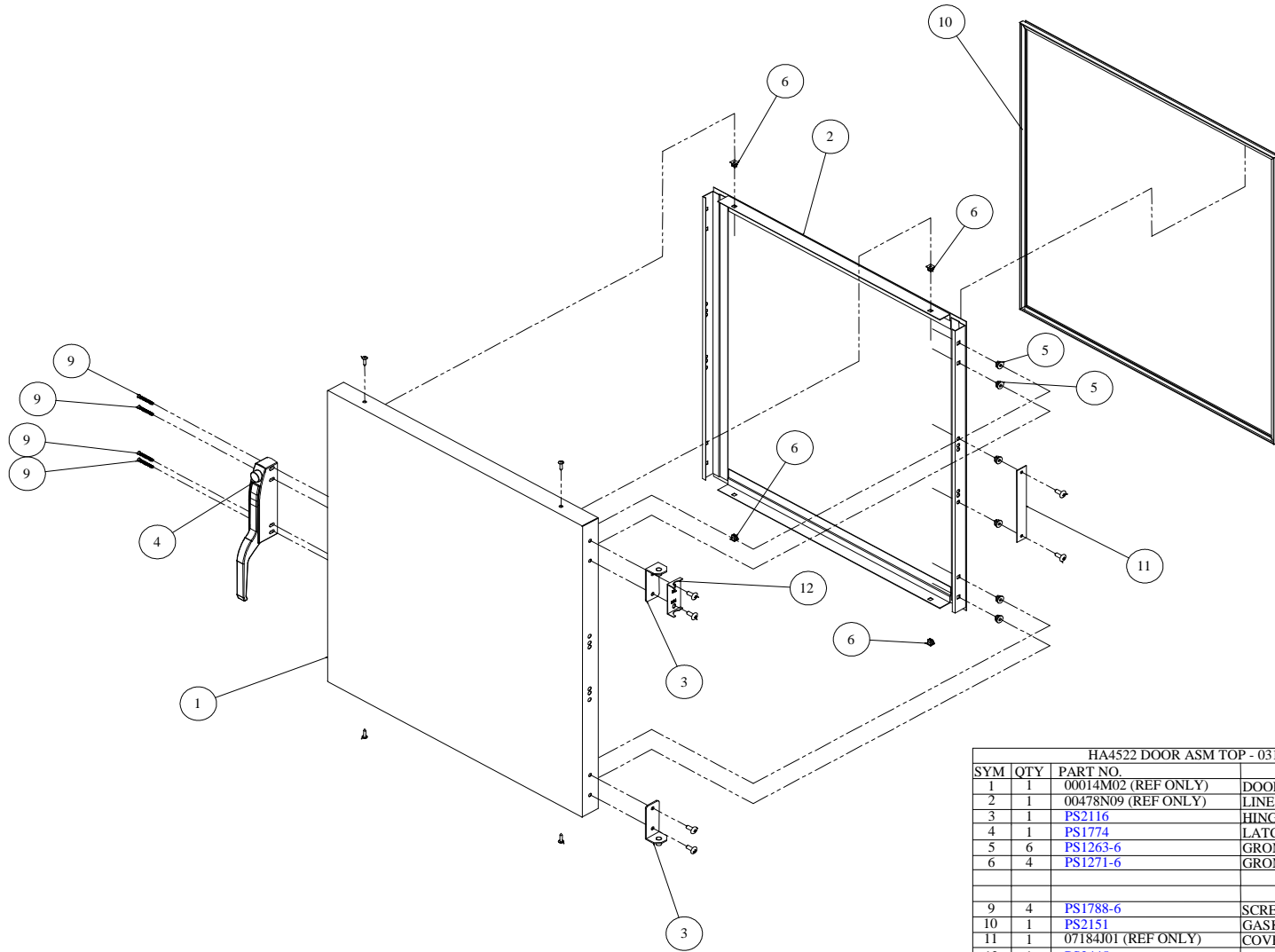
www.cvap.com 1-800-234-5286 502-495-5400 FAX 502-495-5458 www.winstonindustries.com

WINSTON CVAP MODEL HA4522 Holding Cabinet



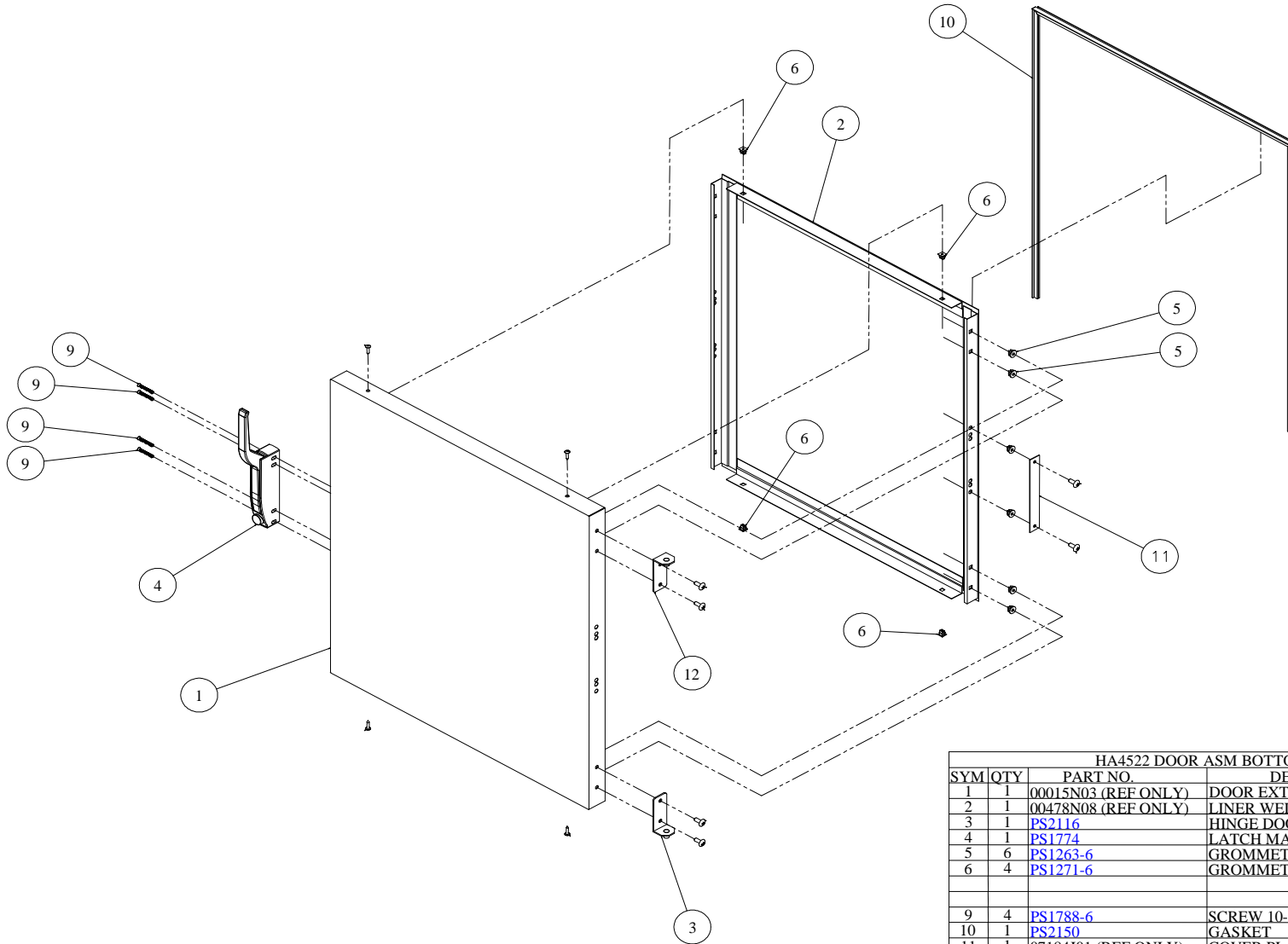
HA4522 Top Interior Motor ASM		
SYM	QTY	DESCRIPTION
1	1	00250M03 (REF ONLY) COVER TOP INT
2	1	PS2148 FAN 6.25 DIA.
5	1	00283U06 (REF ONLY) SEAL SHAFT .312
6	1	00276M02 (REF ONLY) SHAFT RETAINER
7	1	00394M02 (REF ONLY) TOP INT WELD
8	1	00443M01 (REF ONLY) TOP MOTOR INSULATION
9	4	01122N01 (REF ONLY) WASHER
10	1	PS2051 (120V), PS2100 (240V) MOTOR ASM

WINSTON CVAP MODEL HA4522 Holding Cabinet



HA4522 DOOR ASM TOP - 03112M24			
SYM	QTY	PART NO.	DESCRIPTION
1	1	00014M02 (REF ONLY)	DOOR EXTERIOR
2	1	00478N09 (REF ONLY)	LINER WELD TOP
3	1	PS2116	HINGE DOOR BOTTOM
4	1	PS1774	LATCH MAGNETIC
5	6	PS1263-6	GROMMET LARGE PLASTIC
6	4	PS1271-6	GROMMET SCREW #10
9	4	PS1788-6	SCREW 10-32x 1.75 FLAT HD PH
10	1	PS2151	GASKET
11	1	07184J01 (REF ONLY)	COVER PLATE
12	1	PS2445	RETAINER HINGE DOOR

WINSTON CVAP MODEL HA4522 Holding Cabinet

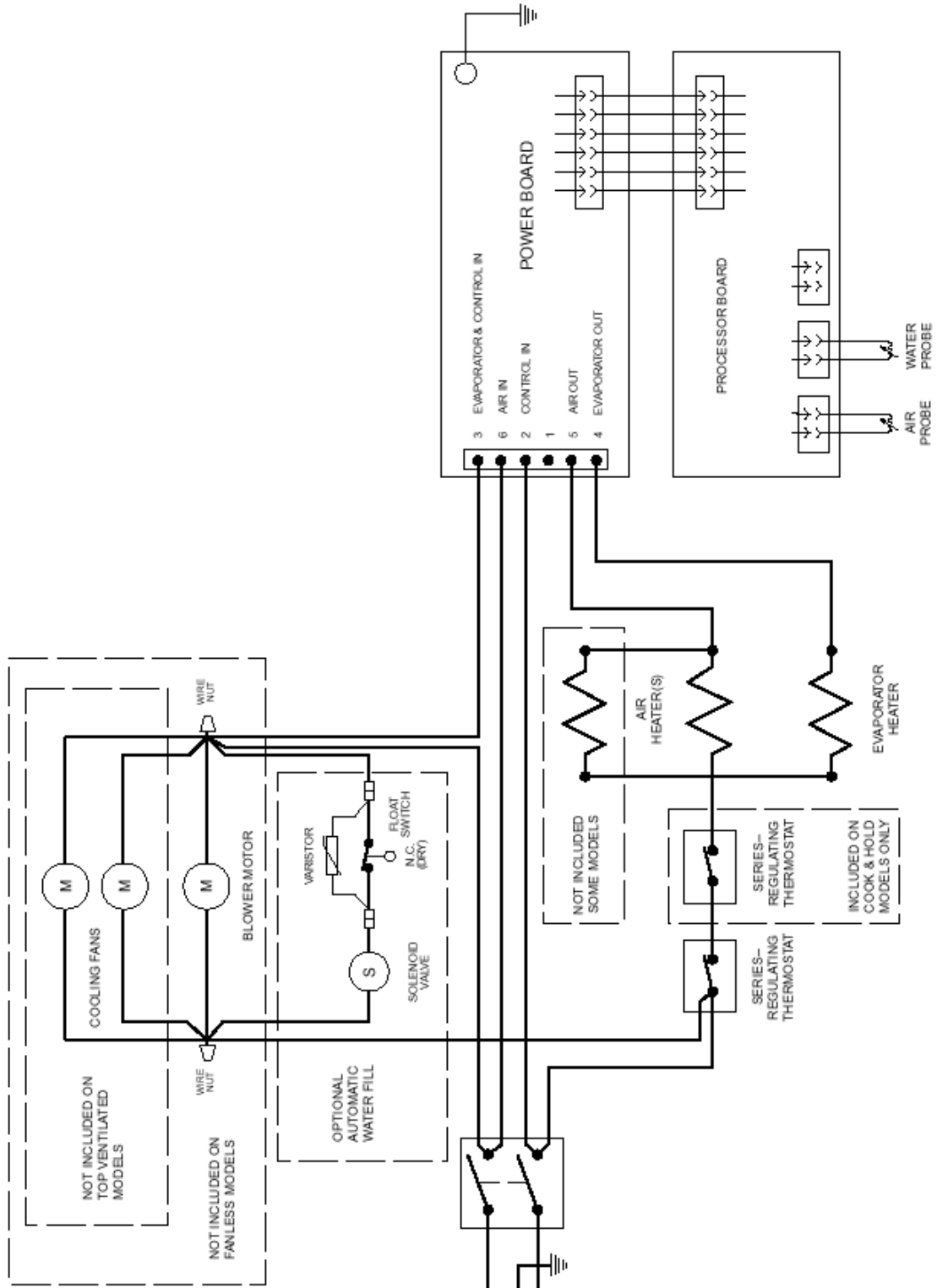


HA4522 DOOR ASM BOTTOM			
SYM	QTY	PART NO.	DESCRIPTION
1	1	00015N03 (REF ONLY)	DOOR EXT BOTTOM
2	1	00478N08 (REF ONLY)	LINER WELD BOTTOM
3	1	PS2116	HINGE DOOR BOTTOM
4	1	PS1774	LATCH MAGNETIC
5	6	PS1263-6	GROMMET LARGE PLASTIC
6	4	PS1271-6	GROMMET SCREW #10
9	4	PS1788-6	SCREW 10-32x 1.75 FLAT HD PH
10	1	PS2150	GASKET
11	1	07184J01 (REF ONLY)	COVER PLATE
12	1	PS2116	HINGE DOOR TOP

Winston Industries, LLC - 2345 Carton Dr. - Louisville - Kentucky - 40299

www.cvap.com 1-800-234-5286 502-495-5400 FAX 502-495-5458 www.winstonindustries.com

WINSTON CVAP MODEL HA4522 Holding Cabinet



Winston Industries, LLC - 2345 Carton Dr. - Louisville - Kentucky - 40299